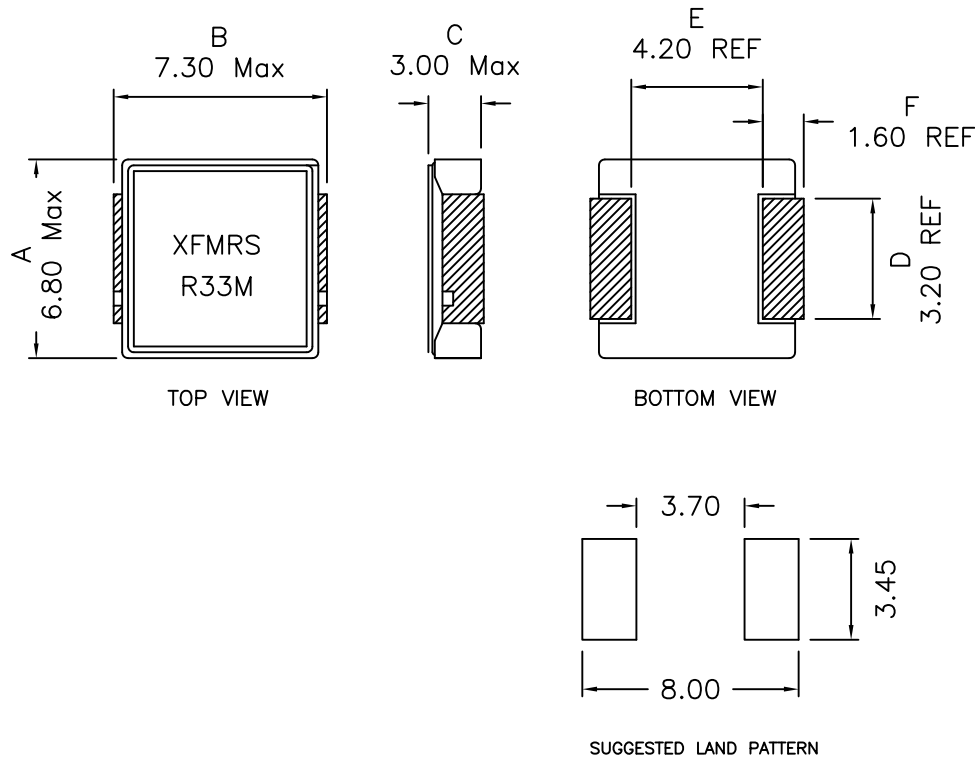
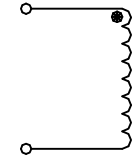


## 1. Mechanical Dimensions:



## 2. Schematic:



## 3. Electrical Specifications: @25°C

INDUCTANCE:  $0.33\mu\text{H} \pm 20\%$  @100KHz 0.25V, 0.0Adc  
 Q: 20 Min @200KHz 0.25V  
 DCR: 3.00 mOhms Typ 3.90 mOhms Max  
 Irms: 20A (Based on 40°C Typ Temp Rise)  
 Isat: 30Adc (Based on 20% Typ drop in OCL)  
 SRF: 60MHz Min

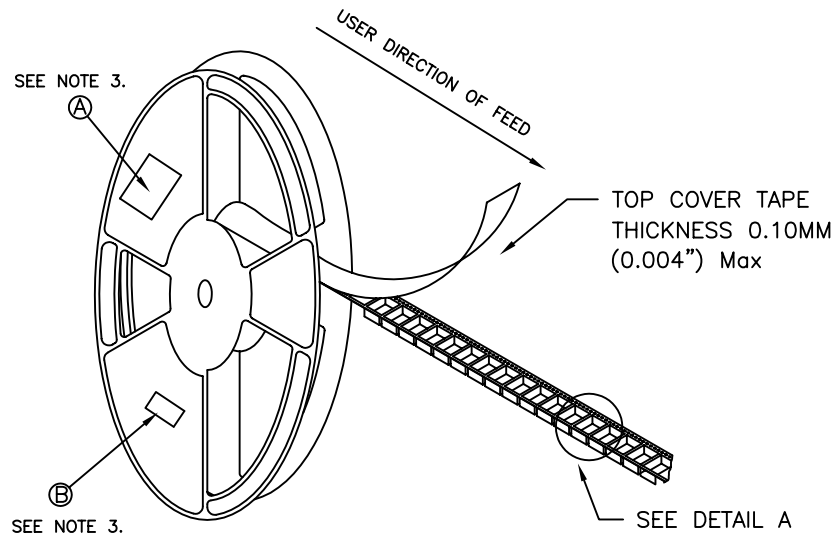
### Notes:

- Solderability: Leads shall meet MIL-STD-202G, Method 208H for solderability.
- Flammability: UL94V-0
- ASTM oxygen index: > 28%
- Insulation System: Class F 155°C. UL file E151556
- Operating Temperature : -55°C to +125°C (Includes temperature when the coil is heated)
- Storage Temperature Range: -55°C to +125°C
- Aqueous wash compatible
- SMD Lead Coplanarity:  $\pm 0.004"$  (0.102mm)
- Electrical and mechanical specifications 100% tested
- RoHS Compliant Component
- Outsourced item processed & controlled under XFMRS QA system

DOC REV: A/10

<b>XFMRS Inc</b> www.XFMRS.com	Title: HIGH CURRENT INDUCTOR		
UNLESS OTHERWISE SPECIFIED TOLERANCES: .xx $\pm 0.25$ Dimensions in MM	P/N: XFHCL6-R33M	REV. A	
	DWN.	Huo	May-11-17
SHEET 1 OF 1	CHK.	YK Liao	May-11-17
	APP.	DDC	May-11-17

# TAPE AND REEL SPECIFICATION:



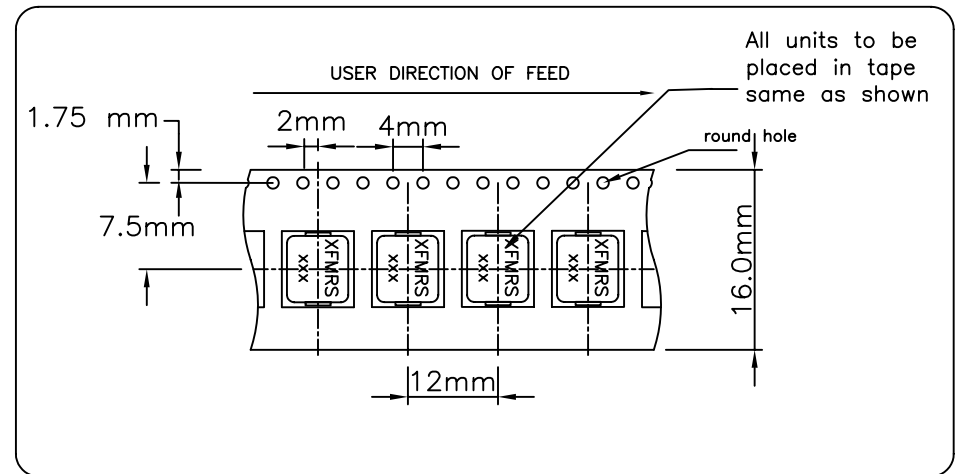
REEL AND TAPE ORIENTATION

**13" REEL DIAMETER**

## NOTES:

- 1) PROCESS IN ACCORDANCE WITH EIA-481-2 STANDARDS
  - \* TAPE LEADER DIMENSION 15.30" MIN.
  - \* TAPE TRAILER DIMENSION 6.30" MIN.
- 2) PARTS SHOULD BE PACKAGED IN ACCORDANCE WITH ESD GUIDELINES IN EIA-541.
- 3) REEL LABEL: 'A' \* PART NUMBER
  - \* QUANTITY
  - \* DATE CODE
 'B' - ANTI-STATIC CAUTION LABEL
- 4) 1000PCS PER 13" REEL

DETAIL A



DOC REV:A/2

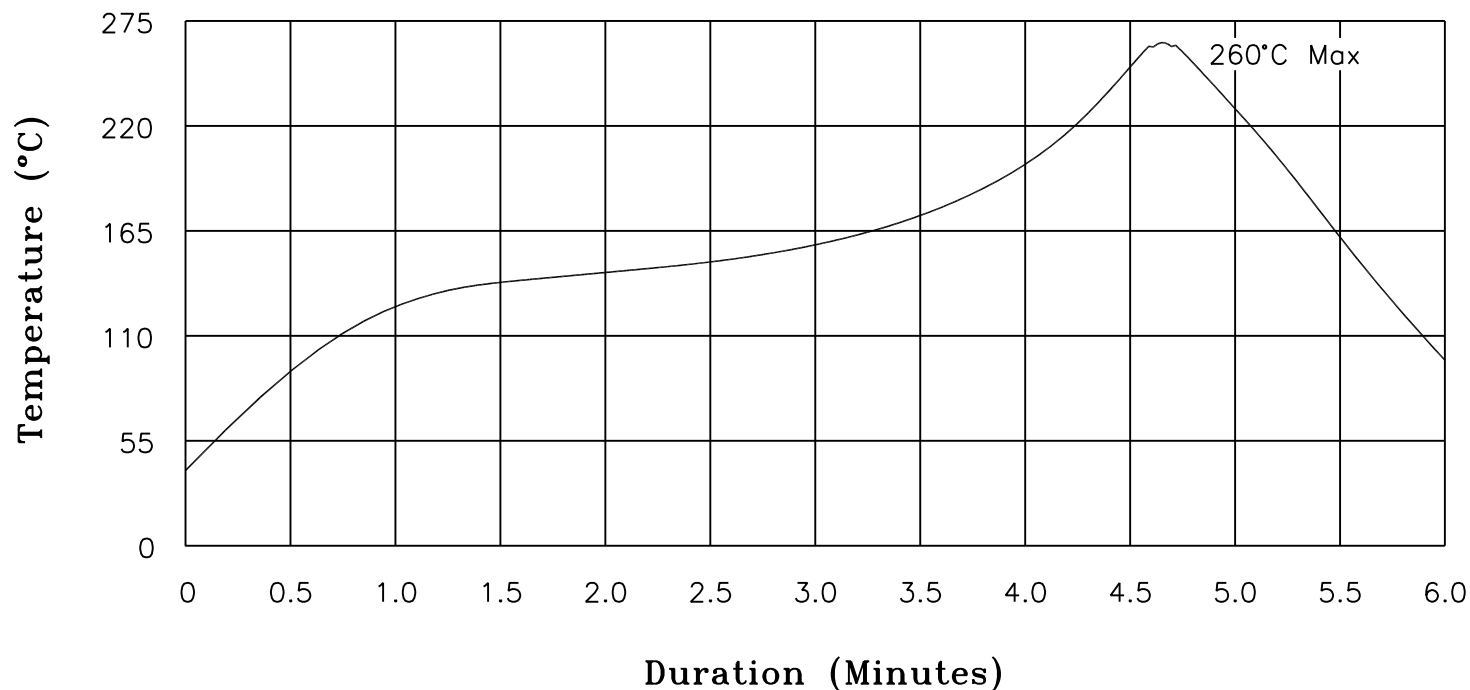
<b>XFMRS Inc</b>	Title: T&R SPEC		
UNLESS OTHERWISE SPECIFIED TOLERANCES: .xxs ±xxxxx Dimensions in mm SHT 2 OF 2	P/N:XFHCL6	SERIES	REV: A
	DWN.	Kong	Aug-05-10
	CHK.	YK Liao	Aug-05-10
	APP.	BW	Aug-05-10

**PROPRIETARY**

Document is the property of XFMRS Group & is not allowed to be duplicated without authorization.

# XFMRs

## Recommended Infrared Reflow Temperature Profile for RoHS Compliant Parts



NOTES: Maximum duration at 260°+0/-5° with 10 seconds Max.  
 Maximum duration above 217° shall be 60-150 seconds.  
 ALL Temperatures refer to topside of the package, measured on the package body surface.

<b>XFMRs Inc</b> www.XFMRs.com	Title: <b>IR REFLOW CHART</b> <b>(RoHS Compliant parts)</b>		
	UNLESS OTHERWISE SPECIFIED TOLERANCES: N/A	P/N: N/A	REV. A
	DWN.	Juan Mao	Jan-16-05
	CHK.	YK Liao	Jan-16-05
SHEET 1 OF 1	APP.	MS	Jan-16-05

**PROPRIETARY** Document is the property of XFMRs Group & is not allowed to be duplicated without authorization.