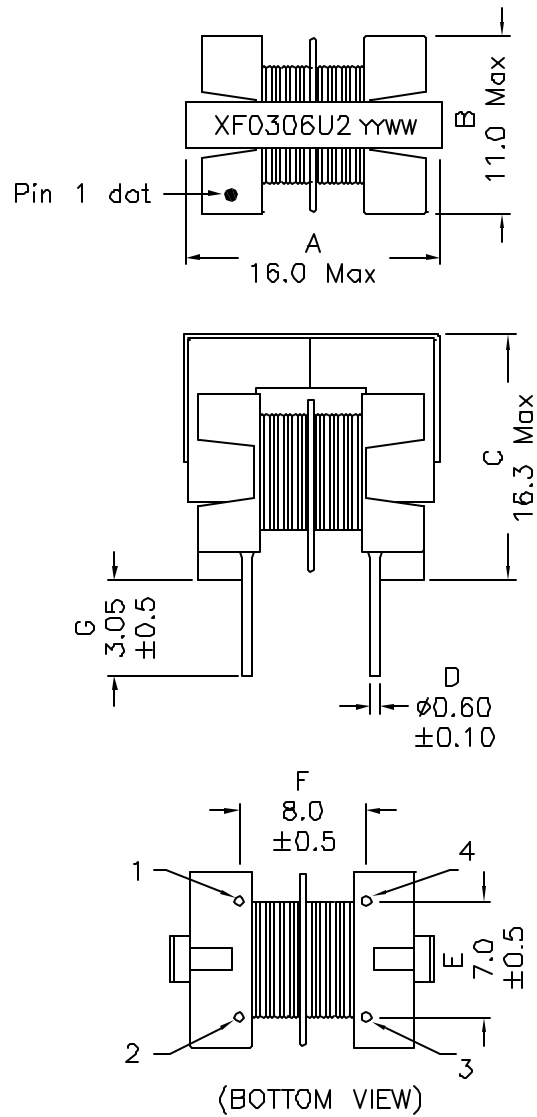


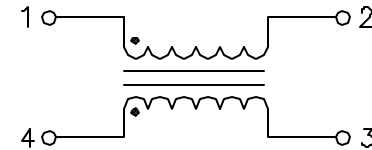
1. Mechanical Dimensions:



Notes:

1. Solderability: Leads shall meet MIL-STD-202G, Method 208H for solderability.
2. Flammability: UL94V-0
3. ASTM oxygen index: > 28%
4. Insulation System: Class F 155°C. UL file E15155B
5. Operating Temperature Range: All listed parameters are to be within tolerance from -40°C to +85°C
6. Storage Temperature Range: -55°C to +125°C
7. Aqueous wash compatible
8. Electrical and mechanical specifications 100% tested
9. RoHS Compliant Component

2. Schematic:



3. Electrical Specifications:

OCL: 30uH Min @10KHz 0.1V, Each Wdg

DCR: 150 mOhms Max, Each Wdg

Rated Current: 1.20Aac

TURN RATIO: Pins (1-2):(4-3)=1:1±1%

HIPOT: 3000Vac, Wdg to Wdg, Wdgs to Core

DOC REV: A/5

XFMRS Inc	Title: COMMON MODE CHOKE	
	UNLESS OTHERWISE SPECIFIED TOLERANCES: .xx ±0.30 Dimensions in MM	P/N: XF0306-00U2 REV. A
SHEET 1 OF 1	DWN. 李小锋	Jan-12-07
	CHK. 廖玉坤	Jan-12-07
	APP. Joe Huff	Jan-12-07