

HIGH POWER, EFFICIENT, VARIABLE SPEED FAN WITH DMX/MANUAL/REMOTE CONTROL

ProFan3 is a powerful, versatile, focused air mover. Ideal for a variety of professional applications: Touring, Theatre, Studio, Theme Parks, Photo shoots you name it!

ProFan3 is perfect for filling large areas with smoke or haze, creating special wind effects, blowing confetti, snow or bubbles, cooling performers and general ventilation needs.

- Synchronized control of up to 10 units with:
 - DMX
 - Integral manual control
 - Optional remote
- Efficient DC motor - 20% more power
- Focused "Vortex" air flow
- Versatile yoke for floor, stand or truss mounting
- Universal 100-240 VAC power
- Compact. Rugged. Lightweight
- Comes with Edison to True 1 14/3 cable, 10 ft length



Worldwide Exclusive Distribution



Los Angeles
+1 818.899.8818

London
+44 (0)20.8574.9700

New York
+1 201.896.8600

tmb
www.tmb.com

Toronto
+1 519.538.0888

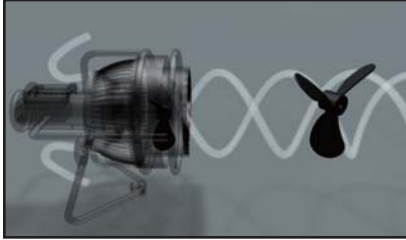
Beijing
+86 10.8492.1587

Riga
+371 6389 8886

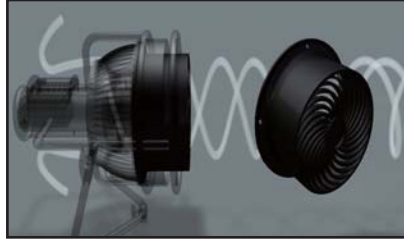
ProFanTM 3

PROFESSIONAL
VARIABLE SPEED FAN

The Versatile Vortex Machine!



11" deep-pitch blades maximize the volume of air moved per revolution.



Special grille design spirals the air flow for greater impact over greater distances.



The cylindrical air duct encompassing the blades helps create a narrow, focused "beam" of air.



Los Angeles
+1 818.899.8818

London
+44 (0)20.8574.9700

New York
+1 201.896.8600

tmb
www.tmb.com

Toronto
+1 519.538.0888

Beijing
+86 10.8492.1587

Riga
+371 6389 8886

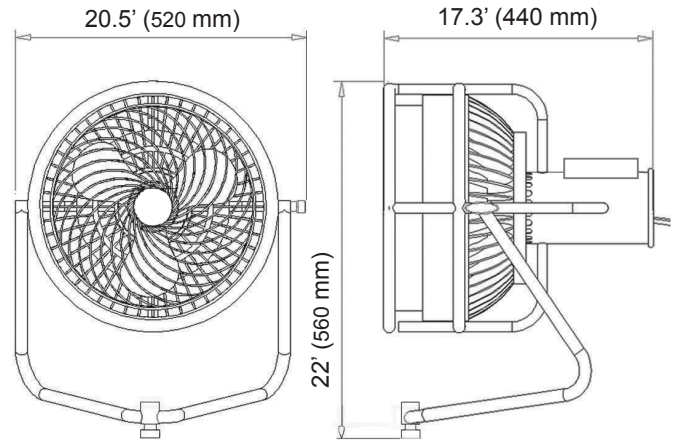
ProFanTM 3

PROFESSIONAL VARIABLE SPEED FAN

Specifications

Part Number	PROFANV3
Power	100-240 VAC, 550 W (max) 8A Input
Input Connector	True1
Input Signal	DMX 512
Cable	Black Edison to Seetronic Lockable Power (True 1 compatible) SJO 14/3 cable, 10ft length
Modes	DMX, Manual and Remote
One-Touch Turbo Function	0-3500 RPM within 5 sec.
Air Volume	5300 CMB/HR
Wind Speed	0-75 KM/HR [46.6 MPH] variable
Dimensions	22 x 20.5 x 17.3 in [560 x 520 x 440 mm]
Weight	21.6 lb [9.8kg]
Ingress Protection	IP20

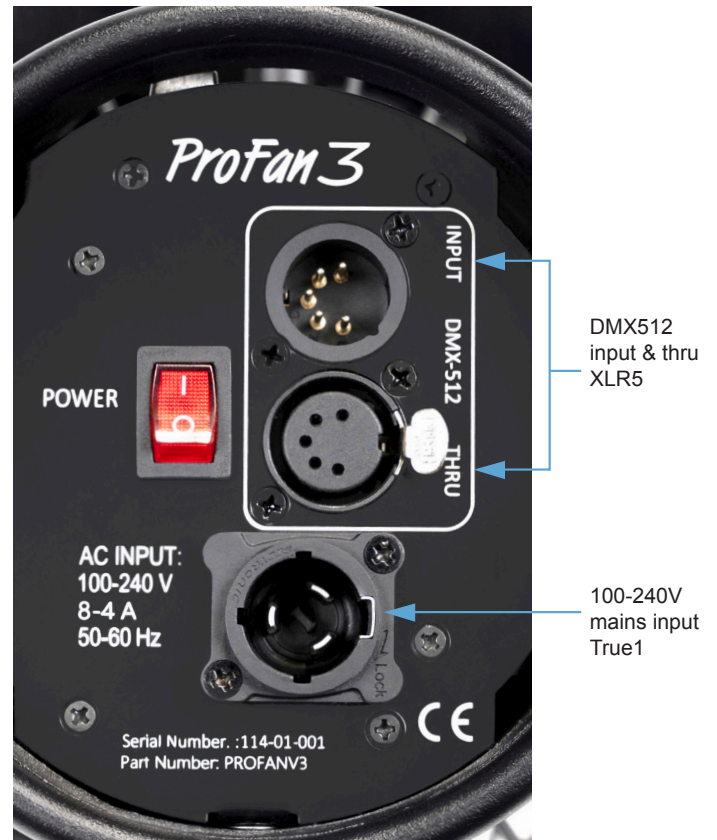
Dimensions



DMX/Manual/Remote Mode selector button Also enables DMX address setting, and bump to Turbo in Manual Mode

LCD Display

Slide Fader Control:
1. Set DMX address in DMX Mode
2. Set Fan Speed in Manual Mode



Los Angeles
+1 818.899.8818

London
+44 (0)20.8574.9700

New York
+1 201.896.8600

tmb
www.tmb.com

Toronto
+1 519.538.0888

Beijing
+86 10.8492.1587

Riga
+371 6389 8886

ProFan³

PROFESSIONAL
VARIABLE SPEED FAN

Synchronized Control of Multiple ProFans

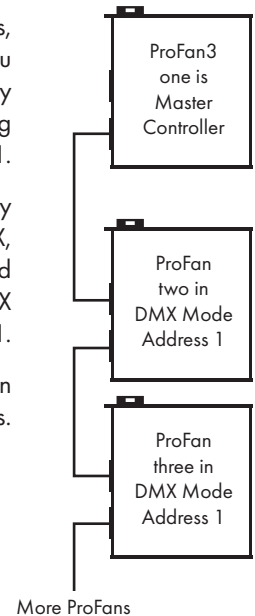


Controlling daisy-chained fans

In all three Control Modes, the ProFan3's DMX512 thru connector automatically transmits the speed setting on address #1.

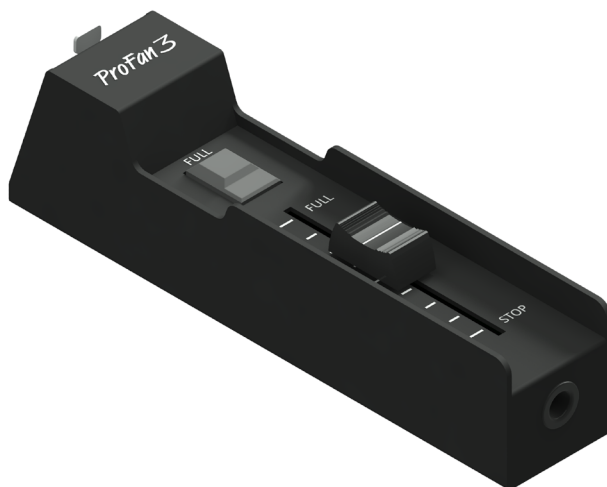
Control up to 10 ProFans by setting a first ProFan3 to DMX, Manual or Remote Mode and all subsequent units to DMX Mode address #1.

The first ProFan3 will control an additional nine ProFans.



Remote Control

Optional Hand-Held Remote Controller (coming soon)
connects to ProFan3 with up to 60ft / 20m of XLR3 (mic) cable



Specifications

Part Number	PROFANV3REM
Weight	5 oz
Length	6.25 in
Width	1.24 in
Depth	1.75 in

Los Angeles
+1 818.899.8818

London
+44 (0)20.8574.9700

New York
+1 201.896.8600

tmb
www.tmb.com
sales@tmb.com

Toronto
+1 519.538.0888

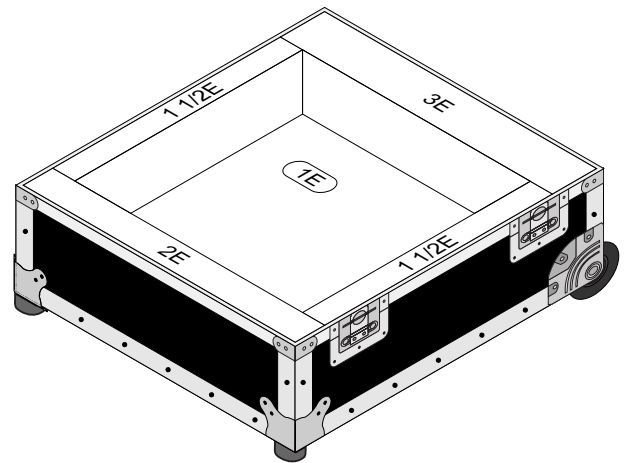
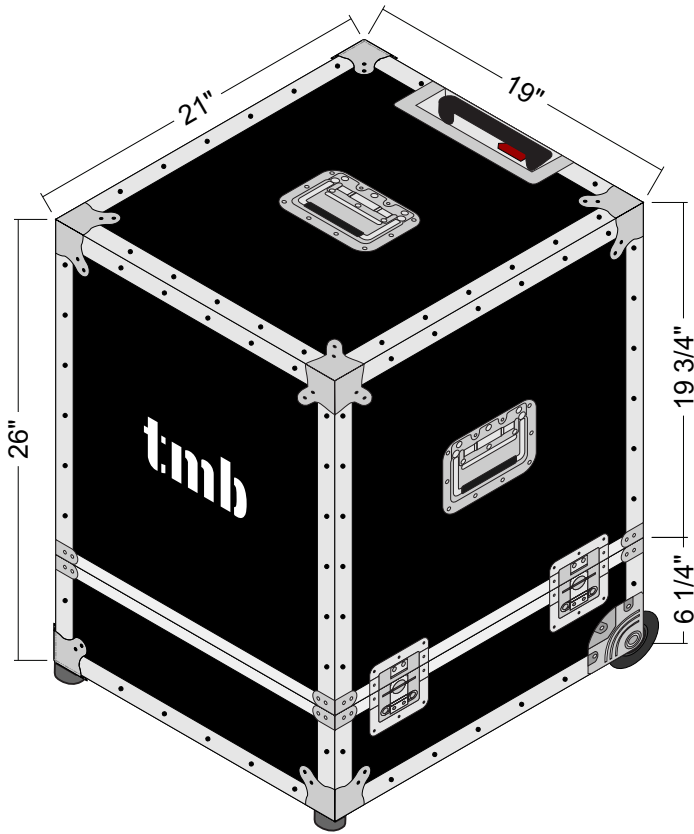
Beijing
+86 10.8492.1587

Riga
+371 6389 8886

ProFanTM 3

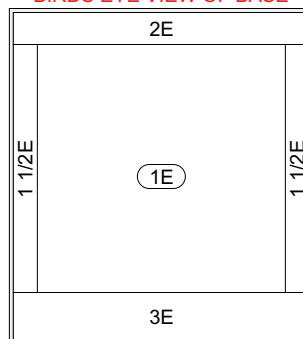
PROFESSIONAL
VARIABLE SPEED FAN

FLIGHT CASE



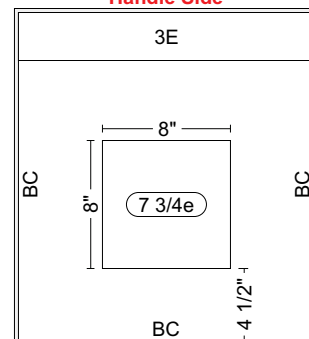
MATERIAL USED	
QTY:	MATERIAL
1/4"	Ply - Black ABS
SM	Valance
SM	Angle
3	Sm. Handles
4	Penn - Latches
6	Corners
0	Stacking Dishes
4	3" CORNER CASTERS
0	Casterboard
0	Stop Hinge

BIRDS EYE VIEW OF BASE



Corner Caster Side

BIRDS EYE VIEW OF LID
Handle Side



Los Angeles
+1 818.899.8818

London
+44 (0)20.8574.9700

New York
+1 201.896.8600

tmb
www.tmb.com

Toronto
+1 519.538.0888

Beijing
+86 10.8492.1587

Riga
+371 6389 8886

CONTACT INFORMATION

LOS ANGELES HEADQUARTERS

527 Park Avenue | San Fernando, CA 91340, USA

Tel: +1 818.899.8818 | Fax: +1 818.899.8813

sales@tmb.com

TMB 24/7 TECH SUPPORT

US/Canada: +1.818.794.1286

Toll Free: 1.877.862.3833 (1.877.TMB.DUDE)

UK: +44 (0)20.8574.9739

Toll Free: 0800.652.5418

techsupport@tmb.com

LOS ANGELES +1 818.899.8818

LONDON +44 (0)20.8574.9700

NEW YORK +1 201.896.8600

BEIJING +86 10.8492.1587

CANADA +1 519.538.0888

RIGA +371 6389 8886



www.tmb.com

A full service company providing technical support, customer service, and follow-up.

Providing products and services for the industrial, entertainment, architectural, installation, defense, broadcast, research, telecommunications, and signage industries.

Servicing the global market from offices in Los Angeles, London, New York, Toronto, Riga and Beijing.