

LED WATTAGE CHART

Drive Current	16L	32L	64L	64L VCS
350 milliamps	-	34W (2850-3782 Lumens)	68W (5700 - 7565 Lumens)	68W (4380-5643 Lumens)
400 milliamps	18W (1546-1873 Lumens)	-	-	-
530 milliamps	26W (2341-2836 Lumens)	52W (4316-5727 Lumens)	103W (8632-11455 Lumens)	103W (7315-8545 Lumens)
700 milliamps	34W (3092-3745 Lumens)	68W (5701-7564 Lumens)	137W (11401-15129 Lumens)	137W (9661-11286 Lumens)
1000 milliamps	-	-	200W (16287-21400 Lumens)	200W (13801-16123 Lumens)
1050 milliamps	51W (4638-5618 Lumens)	102W (8551-11347 Lumens)	-	-
1250 milliamps	-	125W (10340-13375 Lumens)	-	-
1400 milliamps	-	140W (11581-14980 Lumens)	-	-

FORM

- Elegant Die-Cast Aluminum Housing
- Corrosion Resistant Stainless Steel External Hardware
- Sleek, Low Profile Housing
- Spec Grade Performance
- Engineered For Optimum Thermal Management

FUNCTION

- Micro Optics IES Distributions T2, T3, T4, T5, T4FTW, T5W, VCS & VCA
- 0-10V Dimming Drivers
THD @ Max Load < 15%
Power factor @ Max Load < 0.95
- Amber, 2700K, 3000K, 3500K, 4000K, or 5000K
- 16L, 32L, or 64L LED Configuration
- CRI 70, 80, or 90
- 5 MILS Powder Coat
- Up to 21,400 Lumens

RELIABILITY

- Silicone Micro Optics
- 5 Year Standard Warranty
- IP67 Optics
- IP66 Fixture

BUY AMERICAN

To ensure the latest BAA/TAA/BABA Standards are being met, please select BAA, TAA, or BABA in the options section. Please contact the factory before placing an order for any NLS products requesting BAA (Buy American Act), TAA (Trade Agreement Act), or BABA (Build America, Buy America).



Project Name:

Type:

ORGANIX - 2 POST TOP ORDERING GUIDE

Cat#	Light Dist.	# of LEDs	Miliamps	Kelvin	Volts
Organix - 2 Post Top (ORX-2)	Type 2 (T2)	16 (16L)	350 (35)	Amber 585-600nM (AMBER) 4, 13, 14, 17	120-277 (UNV)
	Type 3 (T3)	32 (32L)	400 (40) ¹¹	Amber LED Phosphor Converted (AMBER/PC) 13, 14, 17	347-480 (HV)
	Type 4 (T4)	64 (64L)	530 (53)	2700K, 70 CRI (27K7) ¹⁷	
	Type 4 Forward Throw Wide (T4FTW)		700 (7)	2700K, 80 CRI (27K8) ^{1, 17}	
		Type 5 (T5)		1000 (1A)	3000K, 70 CRI (30K7) ¹⁷
	Type 5 Wide (T5W)		1050 (1) ⁶	3000K, 80 CRI (30K8) ^{1, 17}	
			1250 (12)	3500K, 80 CRI (35K8)	
	Back Lit with Lens		1400 (14)	4000K, 70 CRI (40K7)	
	Visual Comfort Symmetric (VCS)			4000K, 80 CRI (40K8) ¹	
	Visual Comfort Assymmetric (VCA)			5000K, 70 CRI (50K7)	
				5000K, 80 CRI (50K8) ¹	

Mounting	Color	Controls Options	Options	Lens Options
Single Arm Post Top Slips Over 2-3/8" OD Tenon (SPT238)	Bronze Textured (BRZ)	Nema 7-Pin Receptacle (PE7)	Marine Grade Finish (MGF)	Diffused Polycarbonate Visual Comfort Lens (DPCL) ^{10, 19, 20}
Single Arm Post Top Slips Over 3" OD to 3.5" OD Pole or Tenon (SPT312)	White Textured (WHT)	Nema 7-Pin Receptacle +Shorting Cap (PER)	House Side Shield (HSS) ⁹	Clear Tempered Glass Lens (CTG) ^{10, 19, 20}
Single Arm Post Top Wall Mount (SPTWM)	Smooth White Gloss (SWT)	Photocell+Receptacle (PCR)	Automotive House Side Shield (AHS) ⁹	HAL Lens (HAL) ^{7, 18, 19, 20}
Single Arm Post Top Wall Mount (SPTWM)	Silver Metallic (SVR)	FSP-211 with Motion Sensor/Photocell 8' and Below Heights (FSP211-8) ^{2, 15}	Bird Spikes (BS)	
Double Arm Post Top Slips Over 2-3/8" OD Tenon (DPT238)	Black Textured (BLK)	9'-20' Heights (FSP211-20) ^{2, 15}	Tamper Proof Hardware (TPH)	
Double Arm Post Top Slips Over 3" OD to 3.5" OD Pole or Tenon (DPT312)	Smooth Black Gloss (SBK)	21'-40' Heights (FSP211-40) ^{2, 15}	Black Optic Frame (BOF)	
Double Arm Post Top Wall Mount (DPTWM)	Graphite Textured (GPH)	FSP-221 with Motion Sensor/Photocell 9'-20' Heights (FSP221-20) ¹⁶	Buy American Act (BAA) ⁵	
Double Arm Post Top Wall Mount (DPTWM)	Grey Textured (GRY)	21'-40' Heights (FSP221-40) ¹⁶	Trade Agreement Act (TAA) ⁵	
Double Arm Post Top Wall Mount (DPTWM)	Green Textured (GRN)	Custom Controls Integration (CCI) ³	Build America Buy American (BABA) ⁵	
Double Arm Post Top Wall Mount (DPTWM)	Hunter Green Textured (HGN)		FSP Remote (FSIR) ¹²	
Double Arm Post Top Wall Mount (DPTWM)	Custom (CS)		Emergency Battery 4W (EM4)	
Double Arm Post Top Wall Mount (DPTWM)			Emergency Battery 8W (EM8)	

NOTES:

- Consult Factory For Lead Time. Consult Factory For 90 CRI Requests
- Universal Voltage 120-277
- Please contact Factory for Custom Control Integration requests (nLight, NX, WaveLinx, Crestron, DMX/RDM, Synapse, Casambi, Dali II, Avl-On, or other control systems)
- Turtle Safe
- Consult factory for all BAA/TAA/BABA requests
- Not Available in 64L
- Consult Factory
- Back Lit With Diffused Lens 64L Only
- Not Available With Lens Options (VCA, VCS, DPCL, CTG)
- DPCL & CTG lenses are for use with Type 2, Type 3, Type 4, & Type 5 VCA & VCS comes with a diffused lens
- 16L Only
- Projects with sensors require Qty. 1 FSIR per project
- Not Available above 530mA
- Consult Factory for Lead Time
- FSP-211, 120V/277VAC (800W/1200W Max), 230-240VAC (300W Max), 50/60Hz Single Phase. Field/Site line voltage must be disclosed for project validation.
- FSP-221, 100-347VAC 50/60Hz Single Phase, 208/230/480VAC 50/60Hz Phase-to-Phase. 120VAC (800W Max), 230-240VAC (300W Max), 277/347/480VAC (1200W Max). Field/Site line voltage must be disclosed for project validation.
- 3000K or lower, with fixed mounting options only, must be selected to meet International Dark-Sky Association certification.
- HAL Lens: Yellow Polycarbonate Lens - less than 2% Blue Light Content
- Motion Sensors are sidemar mounted for lensed fixtures
- 700mA Max For Lens Options



701 Kingshill Place, Carson, CA 90746
Call Us Today (310) 341-2037

nslighting.com

PRODUCT SPECIFICATIONS

ELECTRICAL

- 120-277 Volts (UNV) or 347-480 Volts (HV)
- 0-10V dimming driver
- Driver power factor at maximum load is $\geq .95$, THD maximum load is 15%
- LED Drivers Ambient Temp. Min is -40°C and Ambient Temp. Max ranges from 50°C to 55°C and, in some cases, even higher. Consult the factory for revalidation by providing the fixture catalog string before quoting and specifying it.
- All drivers, controls, and sensors housed in enclosed IP65 compartment
- CRI 70, 80 or 90
- Color temperatures: Amber, 2700K, 3000K, 3500K, 4000K, 5000K
- Surge Protection: 20KVA supplied as standard.

CONSTRUCTION

- Die Cast Aluminum
- Internal cooling fins
- Corrosion resistant external hardware
- One-piece silicone gasket ensures IP66 seal for electronics compartment

OPTICS

Silicone optics high thermal stability and light output provide higher powered LEDs with minimized lumen depreciation. UV stability with scratch resistance increases exterior application durability. Silicone optics do not yellow, crack or brittle over time.

CONTROL OPTIONS

- **FSP-211 w/Motion Sensor/Photocell (120/277VAC, 230-240VAC)**
(FSP-X) - Passive infrared (PIR) sensor providing multi-level control based on motion/daylight contribution.
- **FSP-221 w/Motion Sensor/Photocell (100-347VAC, 208/230/480VAC)**
(FSP-HV-X) - Passive infrared (PIR) sensor providing multi-level control based on motion/daylight contribution.
 - All control parameters adjustable via wireless configuration remote storing and transmitting sensor profiles.
 - Party Setting Available (10% output) Consult Factory
 - FSP-8 mounting heights 8 feet and below
 - FSP-20 mounting heights 9-20 feet.
 - FSP-40 mounting heights 21-40 feet.
 - Includes 5 dimming event cycles, 0-10V dimming with motion sensing, re-programmable in the field. Programmable remote must be purchased separately.
 - FSIR-100 is required to change sensor settings. Please contact factory for ordering.
- Controls Agnostics: Please contact factory for your preferred controls option.
- NEMA 7-PIN RECEPTACLE (PE7) - An ANSI C136.41-2013 receptacle provides electrical and mechanical interconnection between photo control cell and luminaire. Dimming receptacle available two or four dimming contacts supports 0-10 VDC dimming methods or Digital Addressable Lighting Interface (DALI), providing reliable power interconnect.
- RECEPTACLE + SHORTING CAP (PER) - 7-Pin Receptacle and Shorting Cap.
- PHOTOCCELL + RECEPTACLE (PCR) - 7-Pin Receptacle and Photocell.
- Controls Agnostic: Please contact factory for your preferred controls option. (nLight, NX, WaveLinX, Crestron, DMX/RDM, Synapse, Casambi, DALI II, Avi-On, or other control systems)

OPTIONS

- BIRD SPIKES (BS) - Offer an effective and humane deterrent for larger bird species and provide a cost-effective long-term solution to nuisance bird infestations and to protect your property.
- MARINE GRADE FINISH (MGF) - A multi-step process creating a protective finishing coat against harsh environments. Chemically washed in a 5-stage cleaning system. Pre-baked, Powder coated 3-5 mils of Zinc Rich Super Durable Polyester Primer. Oven Baked. Finished Powder Coating of Super Durable Polyester Powder Coat 3-5 mil thickness.
- House Side Shield (HSS) is designed for full property line cutoff
- Automotive House Side Shield (AHS)
- Tamper Proof Hardware (TPH)
- BLACK OPTIC FRAME (BOF) - Optional black optic frame. (includes black hardware) Standard is white
- Single and Double Fusing

FINISH

- 3-5 mils electrostatic powder coat.
- NLS Lighting standard high-quality finishes prevent corrosion, and protects against extreme environmental conditions.
- 10 Standard Finishes, Custom Finish and Marine Grade Finish Available

WARRANTY

- Five-year limited warranty for drivers and LEDs.
- Consult Factory for 7 or 10 year warranty

LISTINGS

- UL Listed in compliance with UL 1598, the Standard for Safety of Luminaires, including the applicable wet location requirements
- Compliant with UL 8750 LED driver design and test safety standards
- CSA C22.2 No. 250.0
- IP66 Rated Fixture
- IP67 Rated Optics
- IK10 Rated
- Dark Sky Certified, 3000K or lower, with fixed mounting options only, must be selected to meet International Dark-Sky Association certification.

BUY AMERICAN OPTION

While all of the NLS Lighting products listed in this document qualify for the Buy America(n) Act of 1933, we reserve the right to change our listings without notice.

The information provided above is for general informational purposes only. We encourage you to consult legal professionals for advice particular to your projects concerning BAA, TAA, BABA or Buy America.

Additional NLS Products that meet BAA, TAA standards can be found at the following link:

<https://nslighting.com/buy-american/>



The information and specifications on this document are subject to change without any notification. All values are design, nominal, typical or prorated values when measured under internal and external laboratory conditions.

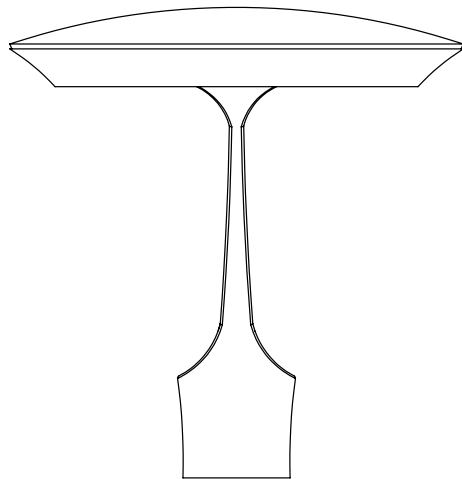
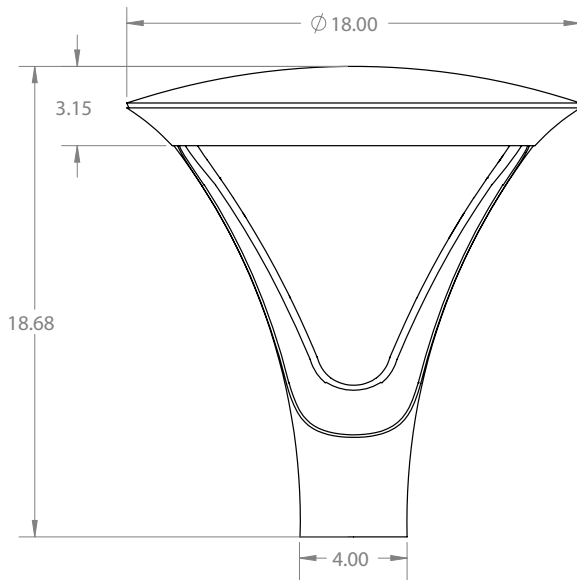
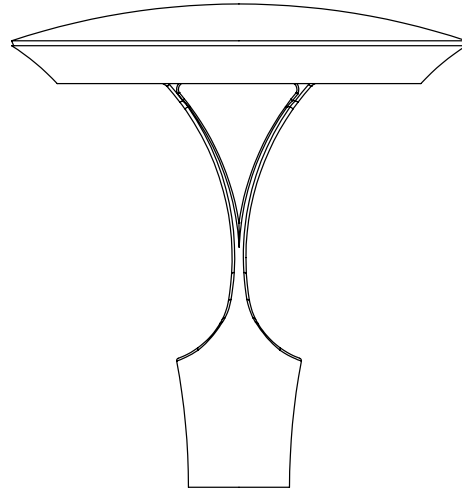
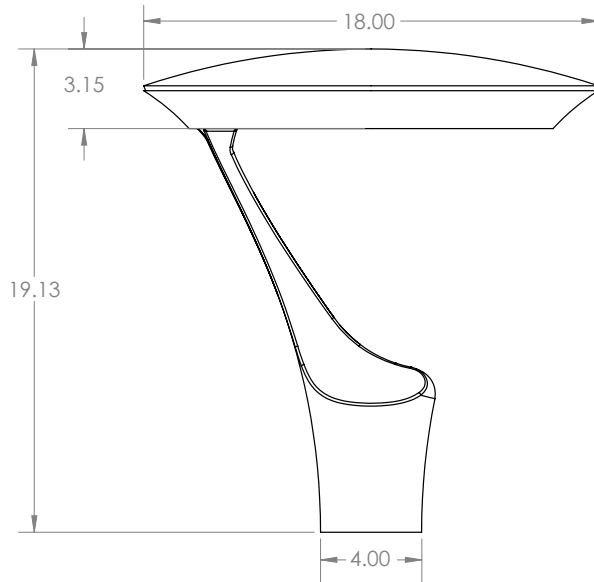


701 Kingshill Place, Carson, CA 90746
Call Us Today (310) 341-2037

nslighting.com

PRODUCT SPECIFICATIONS

MODEL	WIDTH	HEIGHT	WEIGHT	MODEL	EPA
ORX-2-SPT	18"	19.13	18 LBS	ORX-2-SPT	0.28 ft ²
ORX-2-DPT	18"	18.68	19 LBS	ORX-2-DPT	0.28 ft ²



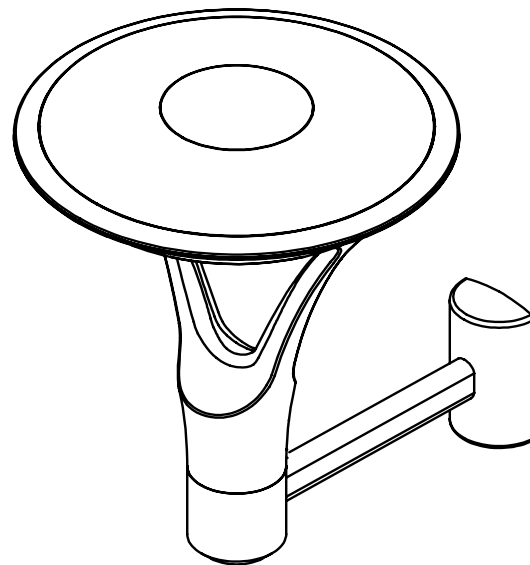
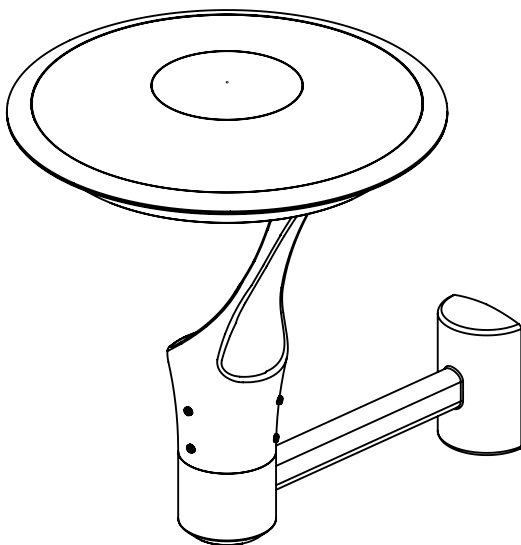
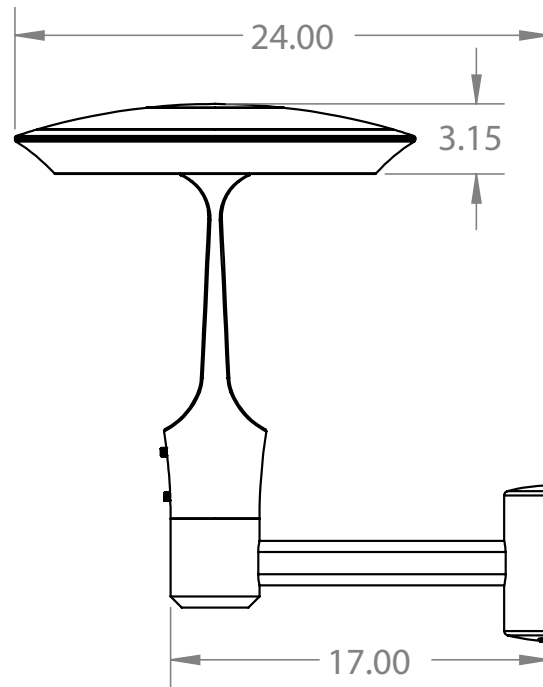
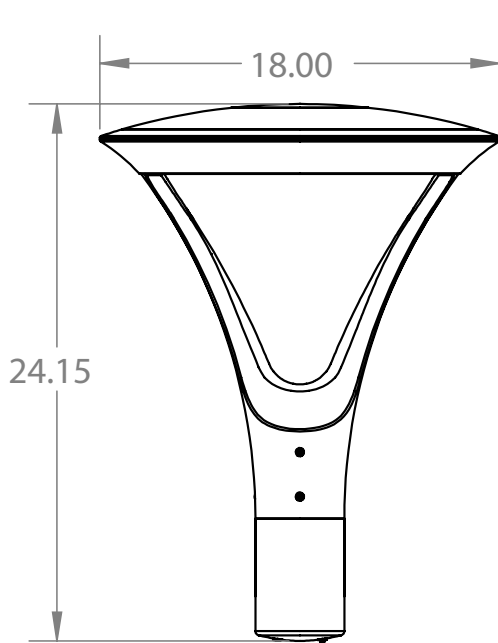
SCAN FOR INSTALLATION INSTRUCTIONS



PRODUCT SPECIFICATIONS

MODEL	WIDTH	HEIGHT	DEPTH	WEIGHT
ORX-2-SPTWM	18"	24.15"	24.0"	22.5 LBS
ORX-2-DPTWM	18"	24.15"	24.0"	23.5 LBS

MODEL	EPA
ORX-2-SPTWM	0.56 ft ²
ORX-2-DPTWM	.054 ft ²

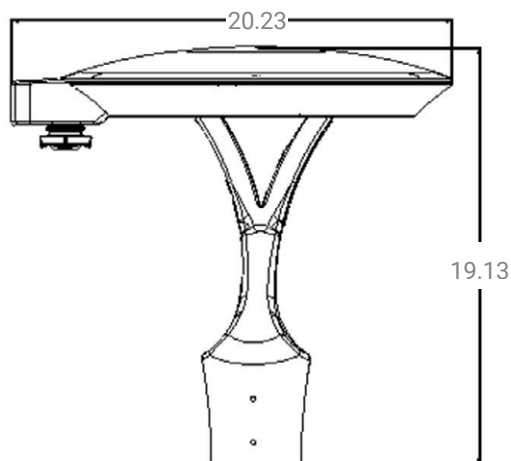
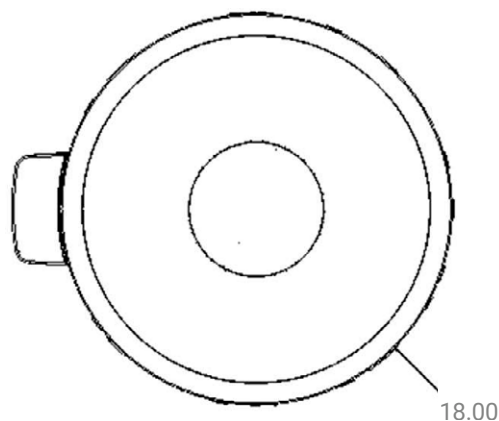


SCAN FOR INSTALLATION INSTRUCTIONS



PRODUCT SPECIFICATIONS

ORX-2 SENSOR SIDECAR



For all ORX-2 Fixtures with lens option Sensors are mounted inside Sensor Sidecar

The ORX-2 when tested without any arms or struts below the fixture aperture, results in 0 measured lumens of uplight above 90 degrees vertical. Any lumens affecting the "U" designation in the BUG Ratings in our standard IES files for the single or double arm post top fixtures, are the result of light bouncing off the support arms located below the fixture aperture. The amount of reflected light over 90 degrees vertical for this style of fixture, is typically between 0.5%-2% of the overall fixture lumens, depending on the fixture design.

Please note:

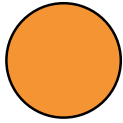
Manufacturers use different methodologies to evaluate "U0"/uplight. Some manufacturers follow a methodology of removing the data associated with the light reflected off the support arms from their IES test files and lumen charts, to show a "U0" BUG Rating. This practice is based on the view, that if the fixture itself is not directing any light out of the fixture at an angle over 90 degrees vertical, it is not necessary to show those lumen values in the IES files or lumen charts related to that product.

A value as low as 1 lumen of uplight over 90 degrees vertical, will result in a "U1" BUG Rating in an IES file. Our Post Top mounted fixtures are not directing any light out of the fixture at angles over 90 degrees vertical.

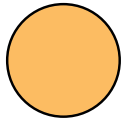
The lumen charts below have the data associated with light reflected off the support arms below the fixture aperture, removed from the data. We did test the fixtures without the support arms below the aperture. All of those tests came back U0. Therefore, the lumens and BUG Ratings in the Lumen Charts below are based on the light distribution as it is exiting the fixture, without taking the reflected light off the support arms into account.

PRODUCT SPECIFICATIONS

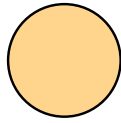
LED KELVIN RANGE



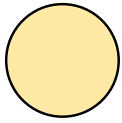
AMBER
585-600 nm



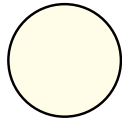
2700K 70 CRI



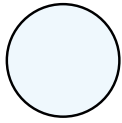
3000K 70 CRI



3500K 80 CRI



4000K 70 CRI



5000K 70 CRI

Color	Dominant or Peak Wavelength Range (nm)	
	Minimum	Maximum
Amber	585	600

Lumen Maintenance Data							
Ambient Temperature	Drive Current	L90 Hours*	L70 Hours**	30,000 Hours*	50,000 Hours*	60,000 Hours*	100,000 Hours**
25°C	Up to 700mA	58,000	173,000	95.7%	91.6%	89.6%	82.1%
	1050mA	48,000	143,000	94.3%	89.5%	87.2%	78.5%
*Reported extrapolations per IESNA TM-21				**Projected extrapolations per IESNA TM-21			

PRODUCT SPECIFICATIONS

LUMEN CHARTS

LUMEN CHART AMBER WITH T3					
PART NUMBER	T3	LPW	WATTAGE	BUG	MULTIPLIER FOR 50K7 GOING TO AMBER
ORX-2-SPT-16L-40-AMBER	886	52	17	B0-U0-G0	0.4211
ORX-2-SPT-16L-53-AMBER	1127	49	23	B0-U0-G1	0.4043
ORX-2-SPT-32L-35-AMBER	1550	53	29	B1-U0-G1	0.4211
ORX-2-SPT-32L-53-AMBER	1890	44	43	B1-U0-G1	0.3390
ORX-2-SPT-64L-35-AMBER	3077	57	54	B1-U0-G1	0.4180
ORX-2-SPT-64L-53-AMBER	4004	48	83	B1-U0-G1	0.3592

LUMEN CHART AMBER WITH T2					
PART NUMBER	T2	LPW	WATTAGE	BUG	MULTIPLIER FOR 50K7 GOING TO AMBER
ORX-2-SPT-16L-40-AMBER	886	52	17	B0-U0-G0	0.4211
ORX-2-SPT-16L-53-AMBER	1128	49	23	B0-U0-G0	0.4043
ORX-2-SPT-32L-35-AMBER	1551	53	29	B0-U0-G1	0.4211
ORX-2-SPT-32L-53-AMBER	1891	44	43	B1-U0-G1	0.3390
ORX-2-SPT-64L-35-AMBER	3080	57	54	B1-U0-G1	0.4180
ORX-2-SPT-64L-53-AMBER	4008	48	83	B1-U0-G1	0.3592

LUMEN CHART AMBER WITH T4FTW					
PART NUMBER	T4FTW	LPW	WATTAGE	BUG	MULTIPLIER FOR 50K7 GOING TO AMBER
ORX-2-SPT-16L-40-AMBER	1025	60	17	B0-U0-G1	0.4211
ORX-2-SPT-16L-53-AMBER	1210	53	23	B0-U0-G1	0.4043
ORX-2-SPT-32L-35-AMBER	1600	55	29	B0-U0-G1	0.4211
ORX-2-SPT-32L-53-AMBER	1794	42	43	B0-U0-G1	0.3390
ORX-2-SPT-64L-35-AMBER	3489	65	54	B1-U0-G2	0.4180
ORX-2-SPT-64L-53-AMBER	4172	50	83	B1-U0-G2	0.3592

LUMEN CHART AMBER WITH T5W					
PART NUMBER	T5W	LPW	WATTAGE	BUG	MULTIPLIER FOR 50K7 GOING TO AMBER
ORX-2-SPT-16L-40-AMBER	926	54	17	B1-U0-G1	0.4211
ORX-2-SPT-16L-53-AMBER	1253	54	23	B1-U0-G1	0.4043
ORX-2-SPT-32L-35-AMBER	1697	59	29	B1-U0-G1	0.4211
ORX-2-SPT-32L-53-AMBER	2071	48	43	B2-U0-G2	0.3390
ORX-2-SPT-64L-35-AMBER	3146	58	54	B2-U0-G2	0.4180
ORX-2-SPT-64L-53-AMBER	4058	49	83	B3-U0-G3	0.3592

LUMEN CHART AMBER WITH T3					
PART NUMBER	T3	LPW	WATTAGE	BUG	MULTIPLIER FOR 50K7 GOING TO AMBER
ORX-2-DPT-16L-40-AMBER	864	51	17	B0-U0-G0	0.4211
ORX-2-DPT-16L-53-AMBER	1099	48	23	B0-U0-G0	0.4043
ORX-2-DPT-32L-35-AMBER	1512	52	29	B1-U0-G1	0.4211
ORX-2-DPT-32L-53-AMBER	1843	43	43	B1-U0-G1	0.3390
ORX-2-DPT-64L-35-AMBER	3001	56	54	B1-U0-G1	0.4180
ORX-2-DPT-64L-53-AMBER	3906	47	83	B1-U0-G1	0.3592

LUMEN CHART AMBER WITH T2					
PART NUMBER	T2	LPW	WATTAGE	BUG	MULTIPLIER FOR 50K7 GOING TO AMBER
ORX-2-DPT-16L-40-AMBER	872	51	17	B0-U0-G0	0.4211
ORX-2-DPT-16L-53-AMBER	1109	48	23	B0-U0-G0	0.4043
ORX-2-DPT-32L-35-AMBER	1525	53	29	B0-U0-G0	0.4211
ORX-2-DPT-32L-53-AMBER	1859	43	43	B1-U0-G1	0.3390
ORX-2-DPT-64L-35-AMBER	3028	56	54	B1-U0-G1	0.4180
ORX-2-DPT-64L-53-AMBER	3941	47	83	B1-U0-G1	0.3592

LUMEN CHART AMBER WITH T4FTW					
PART NUMBER	T4FTW	LPW	WATTAGE	BUG	MULTIPLIER FOR 50K7 GOING TO AMBER
ORX-2-DPT-16L-40-AMBER	1039	61	17	B0-U0-G1	0.4211
ORX-2-DPT-16L-53-AMBER	1229	53	23	B0-U0-G1	0.4043
ORX-2-DPT-32L-35-AMBER	1614	56	29	B0-U0-G1	0.4211
ORX-2-DPT-32L-53-AMBER	1812	42	43	B0-U0-G1	0.3390
ORX-2-DPT-64L-35-AMBER	3582	66	54	B1-U0-G2	0.4180
ORX-2-DPT-64L-53-AMBER	4295	52	83	B1-U0-G2	0.3592

LUMEN CHART AMBER WITH T5W					
PART NUMBER	T5W	LPW	WATTAGE	BUG	MULTIPLIER FOR 50K7 GOING TO AMBER
ORX-2-DPT-16L-40-AMBER	996	59	17	B1-U0-G1	0.4211
ORX-2-DPT-16L-53-AMBER	1343	58	23	B1-U0-G1	0.4043
ORX-2-DPT-32L-35-AMBER	1974	68	29	B2-U0-G2	0.4211
ORX-2-DPT-32L-53-AMBER	2413	56	43	B2-U0-G2	0.3390
ORX-2-DPT-64L-35-AMBER	3595	67	54	B3-U0-G1	0.4180
ORX-2-DPT-64L-53-AMBER	4643	56	83	B3-U0-G1	0.3592



701 Kingshill Place, Carson, CA 90746
Call Us Today (310) 341-2037

nlsighting.com

PRODUCT SPECIFICATIONS

LUMEN CHARTS

SINGLE ARM POST TOP - 16L NO LENS

LUMEN CHART - STANDARD SILICONE MICRO OPTICS - NO LENS									
PART NUMBER	T2	LPW	T3	LPW	T4	LPW	T5	LPW	WATTAGE
ORX-2-SPT-16L-40-27K7	1802	90	1801	90	1789	89	1794	90	20
ORX-2-SPT-16L-40-27K8	1687	84	1686	84	1675	84	1680	84	20
ORX-2-SPT-16L-40-30K7	1948	97	1947	97	1934	97	1940	97	20
ORX-2-SPT-16L-40-30K8	1809	90	1808	90	1796	90	1801	90	20
ORX-2-SPT-16L-40-35K8	1809	90	1808	90	1796	90	1801	90	20
ORX-2-SPT-16L-40-40K7	2105	105	2103	105	2090	104	2096	105	20
ORX-2-SPT-16L-40-40K8	1948	97	1947	97	1934	97	1940	97	20
ORX-2-SPT-16L-40-50K7	2105	105	2103	105	2090	104	2096	105	20
ORX-2-SPT-16L-40-50K8	1948	97	1947	97	1934	97	1940	97	20
ORX-2-SPT-16L-53-27K7	2388	92	2386	92	2370	91	2377	91	26
ORX-2-SPT-16L-53-27K8	2236	86	2234	86	2219	85	2226	86	26
ORX-2-SPT-16L-53-30K7	2582	99	2579	99	2563	99	2570	99	26
ORX-2-SPT-16L-53-30K8	2397	92	2395	92	2380	92	2386	92	26
ORX-2-SPT-16L-53-35K8	2397	92	2395	92	2380	92	2386	92	26
ORX-2-SPT-16L-53-40K7	2790	107	2787	107	2769	106	2777	107	26
ORX-2-SPT-16L-53-40K8	2582	99	2579	99	2563	99	2570	99	26
ORX-2-SPT-16L-53-50K7	2790	107	2787	107	2769	106	2777	107	26
ORX-2-SPT-16L-53-50K8	2582	99	2579	99	2563	99	2570	99	26
ORX-2-SPT-16L-70-27K7	3154	93	3151	93	3131	92	3140	92	34
ORX-2-SPT-16L-70-27K8	2953	87	2950	87	2931	86	2940	86	34
ORX-2-SPT-16L-70-30K7	3410	100	3407	100	3385	100	3395	100	34
ORX-2-SPT-16L-70-30K8	3166	93	3163	93	3142	92	3152	93	34
ORX-2-SPT-16L-70-35K8	3166	93	3163	93	3142	92	3152	93	34
ORX-2-SPT-16L-70-40K7	3684	108	3681	108	3657	108	3668	108	34
ORX-2-SPT-16L-70-40K8	3410	100	3407	100	3385	100	3395	100	34
ORX-2-SPT-16L-70-50K7	3684	108	3681	108	3657	108	3668	108	34
ORX-2-SPT-16L-70-50K8	3410	100	3407	100	3385	100	3395	100	34
ORX-2-SPT-16L-1-27K7	4731	93	4726	93	4696	92	4710	92	51
ORX-2-SPT-16L-1-27K8	4429	87	4425	87	4397	86	4410	86	51
ORX-2-SPT-16L-1-30K7	5115	100	5110	100	5077	100	5092	100	51
ORX-2-SPT-16L-1-30K8	4749	93	4745	93	4714	92	4728	93	51
ORX-2-SPT-16L-1-35K8	4749	93	4745	93	4714	92	4728	93	51
ORX-2-SPT-16L-1-40K7	5526	108	5521	108	5485	108	5502	108	51
ORX-2-SPT-16L-1-40K8	5115	100	5110	100	5077	100	5092	100	51
ORX-2-SPT-16L-1-50K7	5526	108	5521	108	5485	108	5502	108	51
ORX-2-SPT-16L-1-50K8	5115	100	5110	100	5077	100	5092	100	51

PRODUCT SPECIFICATIONS

SINGLE ARM POST TOP - 16L NO LENS

LUMEN CHART - PERFORMANCE SILICONE MICRO OPTICS - NO LENS					
PART NUMBER	T4FTW	LPW	T5W	LPW	WATTAGE
ORX-2-SPT-16L-40-27K7	2084	99	1882	90	21
ORX-2-SPT-16L-40-27K8	1952	93	1762	84	21
ORX-2-SPT-16L-40-30K7	2253	107	2035	97	21
ORX-2-SPT-16L-40-30K8	2092	100	1890	90	21
ORX-2-SPT-16L-40-35K8	2092	100	1890	90	21
ORX-2-SPT-16L-40-40K7	2435	116	2198	105	21
ORX-2-SPT-16L-40-40K8	2254	107	2035	97	21
ORX-2-SPT-16L-40-50K7	2435	116	2198	105	21
ORX-2-SPT-16L-40-50K8	2254	107	2035	97	21
ORX-2-SPT-16L-53-27K7	2563	92	2653	95	28
ORX-2-SPT-16L-53-27K8	2400	86	2484	89	28
ORX-2-SPT-16L-53-30K7	2771	99	2868	102	28
ORX-2-SPT-16L-53-30K8	2573	92	2663	95	28
ORX-2-SPT-16L-53-35K8	2573	92	2663	95	28
ORX-2-SPT-16L-53-40K7	2994	107	3099	111	28
ORX-2-SPT-16L-53-40K8	2771	99	2868	102	28
ORX-2-SPT-16L-53-50K7	2994	107	3099	111	28
ORX-2-SPT-16L-53-50K8	2771	99	2868	102	28
ORX-2-SPT-16L-70-27K7	3018	84	3318	92	36
ORX-2-SPT-16L-70-27K8	2826	79	3107	86	36
ORX-2-SPT-16L-70-30K7	3263	91	3588	100	36
ORX-2-SPT-16L-70-30K8	3030	84	3332	93	36
ORX-2-SPT-16L-70-35K8	3030	84	3332	93	36
ORX-2-SPT-16L-70-40K7	3526	98	3876	108	36
ORX-2-SPT-16L-70-40K8	3264	91	3588	100	36
ORX-2-SPT-16L-70-50K7	3526	98	3876	108	36
ORX-2-SPT-16L-70-50K8	3264	91	3588	100	36
ORX-2-SPT-16L-1-27K7	4615	82	4591	82	56
ORX-2-SPT-16L-1-27K8	4322	77	4299	77	56
ORX-2-SPT-16L-1-30K7	4989	89	4963	89	56
ORX-2-SPT-16L-1-30K8	4633	83	4609	82	56
ORX-2-SPT-16L-1-35K8	4633	83	4609	82	56
ORX-2-SPT-16L-1-40K7	5391	96	5363	96	56
ORX-2-SPT-16L-1-40K8	4990	89	4964	89	56
ORX-2-SPT-16L-1-50K7	5391	96	5363	96	56
ORX-2-SPT-16L-1-50K8	4990	89	4964	89	56

PRODUCT SPECIFICATIONS

SINGLE ARM POST TOP - 32L NO LENS

LUMEN CHART - STANDARD SILICONE MICRO OPTICS - NO LENS									
PART NUMBER	T2	LPW	T3	LPW	T4	LPW	T5	LPW	WATTAGE
ORX-2-SPT-32L-35-27K7	3154	93	3151	93	3130	92	3140	92	34
ORX-2-SPT-32L-35-27K8	2953	87	2950	87	2931	86	2940	86	34
ORX-2-SPT-32L-35-30K7	3410	100	3407	100	3385	100	3395	100	34
ORX-2-SPT-32L-35-30K8	3166	93	3163	93	3142	92	3152	93	34
ORX-2-SPT-32L-35-35K8	3166	93	3163	93	3142	92	3152	93	34
ORX-2-SPT-32L-35-40K7	3684	108	3681	108	3657	108	3668	108	34
ORX-2-SPT-32L-35-40K8	3410	100	3407	100	3385	100	3395	100	34
ORX-2-SPT-32L-35-50K7	3684	108	3681	108	3657	108	3668	108	34
ORX-2-SPT-32L-35-50K8	3410	100	3407	100	3385	100	3395	100	34
ORX-2-SPT-32L-53-27K7	4776	92	4771	92	4740	91	4754	91	52
ORX-2-SPT-32L-53-27K8	4471	86	4468	86	4438	85	4452	86	52
ORX-2-SPT-32L-53-30K7	5163	99	5159	99	5125	99	5140	99	52
ORX-2-SPT-32L-53-30K8	4794	92	4790	92	4759	92	4773	92	52
ORX-2-SPT-32L-53-35K8	4794	92	4790	92	4759	92	4773	92	52
ORX-2-SPT-32L-53-40K7	5579	107	5574	107	5538	106	5554	107	52
ORX-2-SPT-32L-53-40K8	5163	99	5159	99	5125	99	5140	99	52
ORX-2-SPT-32L-53-50K7	5579	107	5574	107	5538	106	5554	107	52
ORX-2-SPT-32L-53-50K8	5163	99	5159	99	5125	99	5140	99	52
ORX-2-SPT-32L-7-27K7	6307	93	6302	93	6261	92	6280	92	68
ORX-2-SPT-32L-7-27K8	5906	87	5901	87	5862	86	5880	86	68
ORX-2-SPT-32L-7-30K7	6819	100	6814	100	6769	100	6789	100	68
ORX-2-SPT-32L-7-30K8	6332	93	6326	93	6285	92	6304	93	68
ORX-2-SPT-32L-7-35K8	6332	93	6326	93	6285	92	6304	93	68
ORX-2-SPT-32L-7-40K7	7368	108	7362	108	7314	108	7336	108	68
ORX-2-SPT-32L-7-40K8	6819	100	6814	100	6769	100	6789	100	68
ORX-2-SPT-32L-7-50K7	7368	108	7362	108	7314	108	7336	108	68
ORX-2-SPT-32L-7-50K8	6819	100	6814	100	6769	100	6789	100	68
ORX-2-SPT-32L-1-27K7	9461	93	9453	93	9391	92	9419	92	102
ORX-2-SPT-32L-1-27K8	8858	87	8851	87	8793	86	8820	86	102
ORX-2-SPT-32L-1-30K7	10229	100	10220	100	10153	100	10184	100	102
ORX-2-SPT-32L-1-30K8	9498	93	9490	93	9427	92	9456	93	102
ORX-2-SPT-32L-1-35K8	9498	93	9490	93	9427	92	9456	93	102
ORX-2-SPT-32L-1-40K7	11053	108	11043	108	10971	108	11004	108	102
ORX-2-SPT-32L-1-40K8	10229	100	10220	100	10153	100	10184	100	102
ORX-2-SPT-32L-1-50K7	11053	108	11043	108	10971	108	11004	108	102
ORX-2-SPT-32L-1-50K8	10229	100	10220	100	10153	100	10184	100	102
ORX-2-SPT-32L-12-27K7	11263	90	11253	90	11180	89	11213	90	125
ORX-2-SPT-32L-12-27K8	10546	84	10537	84	10468	84	10499	84	125
ORX-2-SPT-32L-12-30K7	12102	97	12167	97	12087	97	12124	97	125
ORX-2-SPT-32L-12-30K8	11307	90	11297	90	11223	90	11257	90	125
ORX-2-SPT-32L-12-35K8	11307	90	11297	90	11223	90	11257	90	125
ORX-2-SPT-32L-12-40K7	13158	105	13146	105	13060	104	13100	105	125
ORX-2-SPT-32L-12-40K8	12102	97	12167	97	12087	97	12124	97	125
ORX-2-SPT-32L-12-50K7	13158	105	13146	105	13060	104	13100	105	125
ORX-2-SPT-32L-12-50K8	12102	97	12167	97	12087	97	12124	97	125
ORX-2-SPT-32L-14-27K7	12615	90	12604	90	12521	89	12559	90	140
ORX-2-SPT-32L-14-27K8	11811	84	11801	84	11724	84	11759	84	140
ORX-2-SPT-32L-14-30K7	13639	97	13627	97	13538	97	13579	97	140
ORX-2-SPT-32L-14-30K8	12663	90	12653	90	12570	90	12608	90	140
ORX-2-SPT-32L-14-35K8	12663	90	12653	90	12570	90	12608	90	140
ORX-2-SPT-32L-14-40K7	14737	105	14724	105	14628	104	14672	105	140
ORX-2-SPT-32L-14-40K8	13639	97	13627	97	13538	97	13579	97	140
ORX-2-SPT-32L-14-50K7	14737	105	14724	105	14628	104	14672	105	140
ORX-2-SPT-32L-14-50K8	13639	97	13627	97	13538	97	13579	97	140

PRODUCT SPECIFICATIONS

SINGLE ARM POST TOP - 32L NO LENS

LUMEN CHART - PERFORMANCE SILICONE MICRO OPTICS - NO LENS					
PART NUMBER	T4FTW	LPW	T5W	LPW	WATTAGE
ORX-2-SPT-32L-35-27K7	3253	96	3449	101	34
ORX-2-SPT-32L-35-27K8	3046	90	3230	95	34
ORX-2-SPT-32L-35-30K7	3517	103	3729	110	34
ORX-2-SPT-32L-35-30K8	3266	96	3463	102	34
ORX-2-SPT-32L-35-35K8	3266	96	3463	102	34
ORX-2-SPT-32L-35-40K7	3800	112	4029	119	34
ORX-2-SPT-32L-35-40K8	3517	103	3729	110	34
ORX-2-SPT-32L-35-50K7	3800	112	4029	119	34
ORX-2-SPT-32L-35-50K8	3517	103	3729	110	34
ORX-2-SPT-32L-53-27K7	4531	87	5230	101	52
ORX-2-SPT-32L-53-27K8	4243	82	4898	94	52
ORX-2-SPT-32L-53-30K7	4899	94	5655	109	52
ORX-2-SPT-32L-53-30K8	4550	87	5252	101	52
ORX-2-SPT-32L-53-35K8	4550	87	5252	101	52
ORX-2-SPT-32L-53-40K7	5293	102	6110	118	52
ORX-2-SPT-32L-53-40K8	4899	94	5656	109	52
ORX-2-SPT-32L-53-50K7	5293	102	6110	118	52
ORX-2-SPT-32L-53-50K8	4899	94	5656	109	52
ORX-2-SPT-32L-7-27K7	5580	79	7020	99	71
ORX-2-SPT-32L-7-27K8	5225	74	6574	93	71
ORX-2-SPT-32L-7-30K7	6033	85	7590	107	71
ORX-2-SPT-32L-7-30K8	5603	79	7049	99	71
ORX-2-SPT-32L-7-35K8	5603	79	7049	99	71
ORX-2-SPT-32L-7-40K7	6519	92	8201	116	71
ORX-2-SPT-32L-7-40K8	6034	85	7591	107	71
ORX-2-SPT-32L-7-50K7	6519	92	8201	116	71
ORX-2-SPT-32L-7-50K8	6034	85	7591	107	71
ORX-2-SPT-32L-1-27K7	8073	77	9487	90	105
ORX-2-SPT-32L-1-27K8	7560	72	8884	85	105
ORX-2-SPT-32L-1-30K7	8728	83	10257	98	105
ORX-2-SPT-32L-1-30K8	8106	77	9525	91	105
ORX-2-SPT-32L-1-35K8	8106	77	9525	91	105
ORX-2-SPT-32L-1-40K7	9431	90	11083	106	105
ORX-2-SPT-32L-1-40K8	8729	83	10259	98	105
ORX-2-SPT-32L-1-50K7	9431	90	11083	106	105
ORX-2-SPT-32L-1-50K8	8729	83	10259	98	105
ORX-2-SPT-32L-12-27K7	9580	76	11062	88	126
ORX-2-SPT-32L-12-27K8	8971	71	10359	82	126
ORX-2-SPT-32L-12-30K7	10358	82	11960	95	126
ORX-2-SPT-32L-12-30K8	9619	76	11107	88	126
ORX-2-SPT-32L-12-35K8	9619	76	11107	88	126
ORX-2-SPT-32L-12-40K7	11191	89	12923	103	126
ORX-2-SPT-32L-12-40K8	10359	82	11962	95	126
ORX-2-SPT-32L-12-50K7	11191	89	12923	103	126
ORX-2-SPT-32L-12-50K8	10359	82	11962	95	126
ORX-2-SPT-32L-14-27K7	10588	75	12379	88	141
ORX-2-SPT-32L-14-27K8	9915	70	11592	82	141
ORX-2-SPT-32L-14-30K7	11448	81	13384	95	141
ORX-2-SPT-32L-14-30K8	10632	75	12429	88	141
ORX-2-SPT-32L-14-35K8	10632	75	12429	88	141
ORX-2-SPT-32L-14-40K7	12369	88	14461	103	141
ORX-2-SPT-32L-14-40K8	11449	81	13385	95	141
ORX-2-SPT-32L-14-50K7	12369	88	14461	103	141
ORX-2-SPT-32L-14-50K8	11449	81	13385	95	141

PRODUCT SPECIFICATIONS

SINGLE ARM POST TOP - 64L NO LENS

LUMEN CHART - STANDARD SILICONE MICRO OPTICS - NO LENS									
PART NUMBER	T2	LPW	T3	LPW	T4	LPW	T5	LPW	WATTAGE
ORX-2-SPT-64L-35-27K7	6307	93	6302	93	6261	92	6280	92	68
ORX-2-SPT-64L-35-27K8	5906	87	5900	87	5862	86	5879	86	68
ORX-2-SPT-64L-35-30K7	6820	100	6814	100	6769	100	6789	100	68
ORX-2-SPT-64L-35-30K8	6332	93	6326	93	6285	92	6304	93	68
ORX-2-SPT-64L-35-35K8	6332	93	6326	93	6285	92	6304	93	68
ORX-2-SPT-64L-35-40K7	7368	108	7362	108	7314	108	7336	108	68
ORX-2-SPT-64L-35-40K8	6820	100	6814	100	6769	100	6789	100	68
ORX-2-SPT-64L-35-50K7	7368	108	7362	108	7314	108	7336	108	68
ORX-2-SPT-64L-35-50K8	6820	100	6814	100	6769	100	6789	100	68
ORX-2-SPT-64L-53-27K7	9551	93	9543	93	9480	92	9509	92	103
ORX-2-SPT-64L-53-27K8	8943	87	8935	87	8877	86	8903	86	103
ORX-2-SPT-64L-53-30K7	10327	100	10318	100	10250	100	10281	100	103
ORX-2-SPT-64L-53-30K8	9588	93	9580	93	9517	92	9546	93	103
ORX-2-SPT-64L-53-35K8	9588	93	9580	93	9517	92	9546	93	103
ORX-2-SPT-64L-53-40K7	11158	108	11148	108	11075	108	11108	108	103
ORX-2-SPT-64L-53-40K8	10327	100	10318	100	10250	100	10281	100	103
ORX-2-SPT-64L-53-50K7	11158	108	11148	108	11075	108	11108	108	103
ORX-2-SPT-64L-53-50K8	10327	100	10318	100	10250	100	10281	100	103
ORX-2-SPT-64L-7-27K7	12615	92	12604	92	12522	91	12559	92	137
ORX-2-SPT-64L-7-27K8	11812	86	11801	86	11724	86	11749	86	137
ORX-2-SPT-64L-7-30K7	13639	100	13627	99	13538	99	13579	99	137
ORX-2-SPT-64L-7-30K8	12664	92	12653	92	12570	92	12608	92	137
ORX-2-SPT-64L-7-35K8	12664	92	12653	92	12570	92	12608	92	137
ORX-2-SPT-64L-7-40K7	14737	108	14724	107	14628	107	14671	107	137
ORX-2-SPT-64L-7-40K8	13639	100	13627	99	13538	99	13579	99	137
ORX-2-SPT-64L-7-50K7	14737	108	14724	107	14628	107	14671	107	137
ORX-2-SPT-64L-7-50K8	13639	100	13627	99	13538	99	13579	99	137
ORX-2-SPT-64L-1A-27K7	18021	90	18005	90	17888	89	17941	90	200
ORX-2-SPT-64L-1A-27K8	16873	84	16858	84	16749	84	16799	84	200
ORX-2-SPT-64L-1A-30K7	19484	97	19467	97	19340	97	19398	97	200
ORX-2-SPT-64L-1A-30K8	18091	90	18075	90	17957	90	18011	90	200
ORX-2-SPT-64L-1A-35K8	18091	90	18075	90	17957	90	18011	90	200
ORX-2-SPT-64L-1A-40K7	21053	105	21034	105	20897	104	20959	105	200
ORX-2-SPT-64L-1A-40K8	19484	97	19467	97	19340	97	19398	97	200
ORX-2-SPT-64L-1A-50K7	21053	105	21034	105	20897	104	20959	105	200
ORX-2-SPT-64L-1A-50K8	19484	97	19467	97	19340	97	19398	97	200

PRODUCT SPECIFICATIONS

SINGLE ARM POST TOP - 64L NO LENS

LUMEN CHART - PERFORMANCE SILICONE MICRO OPTICS - NO LENS					
PART NUMBER	T4FTW	LPW	T5W	LPW	WATTAGE
ORX-2-SPT-64L-35-27K7	7146	105	6442	95	68
ORX-2-SPT-64L-35-27K8	6692	98	6033	89	68
ORX-2-SPT-64L-35-30K7	7726	114	6966	102	68
ORX-2-SPT-64L-35-30K8	7175	106	6469	95	68
ORX-2-SPT-64L-35-35K8	7175	106	6469	95	68
ORX-2-SPT-64L-35-40K7	8348	123	7526	111	68
ORX-2-SPT-64L-35-40K8	7727	114	6966	102	68
ORX-2-SPT-64L-35-50K7	8348	123	7526	111	68
ORX-2-SPT-64L-35-50K8	7727	114	6966	102	68
ORX-2-SPT-64L-53-27K7	9944	97	9671	94	103
ORX-2-SPT-64L-53-27K8	9312	90	9056	88	103
ORX-2-SPT-64L-53-30K7	10751	104	10456	102	103
ORX-2-SPT-64L-53-30K8	9984	97	9710	94	103
ORX-2-SPT-64L-53-35K8	9984	97	9710	94	103
ORX-2-SPT-64L-53-40K7	11616	113	11297	110	103
ORX-2-SPT-64L-53-40K8	10752	104	10457	102	103
ORX-2-SPT-64L-53-50K7	11616	113	11297	110	103
ORX-2-SPT-64L-53-50K8	10752	104	10457	102	103
ORX-2-SPT-64L-7-27K7	11879	88	12329	91	135
ORX-2-SPT-64L-7-27K8	11124	82	11545	86	135
ORX-2-SPT-64L-7-30K7	12844	95	13330	99	135
ORX-2-SPT-64L-7-30K8	11928	88	12379	92	135
ORX-2-SPT-64L-7-35K8	11928	88	12379	92	135
ORX-2-SPT-64L-7-40K7	13878	103	14403	107	135
ORX-2-SPT-64L-7-40K8	12846	95	13332	99	135
ORX-2-SPT-64L-7-50K7	13878	103	14403	107	135
ORX-2-SPT-64L-7-50K8	12846	95	13332	99	135
ORX-2-SPT-64L-1A-27K7	16643	86	15720	81	193
ORX-2-SPT-64L-1A-27K8	15585	81	14721	76	193
ORX-2-SPT-64L-1A-30K7	17994	93	16996	88	193
ORX-2-SPT-64L-1A-30K8	16711	87	15784	82	193
ORX-2-SPT-64L-1A-35K8	16711	87	15784	82	193
ORX-2-SPT-64L-1A-40K7	19443	101	18364	95	193
ORX-2-SPT-64L-1A-40K8	17997	93	16998	88	193
ORX-2-SPT-64L-1A-50K7	19443	101	18364	95	193
ORX-2-SPT-64L-1A-50K8	17997	93	16998	88	193

PRODUCT SPECIFICATIONS

DOUBLE ARM POST TOP - 16L NO LENS

LUMEN CHART - STANDARD SILICONE MICRO OPTICS - NO LENS									
PART NUMBER	T2	LPW	T3	LPW	T4	LPW	T5	LPW	WATTAGE
ORX-2-DPT-16L-40-27K7	1772	89	1756	88	1747	87	1809	90	20
ORX-2-DPT-16L-40-27K8	1659	83	1645	82	1636	82	1694	85	20
ORX-2-DPT-16L-40-30K7	1916	96	1899	95	1889	94	1955	98	20
ORX-2-DPT-16L-40-30K8	1779	89	1763	88	1754	88	1816	91	20
ORX-2-DPT-16L-40-35K8	1779	89	1763	88	1754	88	1816	91	20
ORX-2-DPT-16L-40-40K7	2070	103	2052	103	2041	102	2113	106	20
ORX-2-DPT-16L-40-40K8	1916	96	1899	95	1889	94	1955	98	20
ORX-2-DPT-16L-40-50K7	2070	103	2052	103	2041	102	2113	106	20
ORX-2-DPT-16L-40-50K8	1916	96	1899	95	1889	94	1955	98	20
ORX-2-DPT-16L-53-27K7	2348	90	2327	89	2315	89	2397	92	26
ORX-2-DPT-16L-53-27K8	2198	85	2179	84	2168	83	2244	86	26
ORX-2-DPT-16L-53-30K7	2538	98	2516	97	2503	96	2591	100	26
ORX-2-DPT-16L-53-30K8	2357	91	2336	90	2324	89	2406	93	26
ORX-2-DPT-16L-53-35K8	2357	91	2336	90	2324	89	2406	93	26
ORX-2-DPT-16L-53-40K7	2743	105	2718	105	2704	104	2800	108	26
ORX-2-DPT-16L-53-40K8	2538	98	2516	97	2503	96	2591	100	26
ORX-2-DPT-16L-53-50K7	2743	105	2718	105	2704	104	2800	108	26
ORX-2-DPT-16L-53-50K8	2538	98	2516	97	2503	96	2591	100	26
ORX-2-DPT-16L-70-27K7	3101	91	3073	90	3057	90	3165	93	34
ORX-2-DPT-16L-70-27K8	2904	85	2878	85	2863	84	2964	87	34
ORX-2-DPT-16L-70-30K7	3353	99	3323	98	3306	97	3422	101	34
ORX-2-DPT-16L-70-30K8	3113	92	3085	91	3064	90	3178	93	34
ORX-2-DPT-16L-70-35K8	3113	92	3085	91	3064	90	3178	93	34
ORX-2-DPT-16L-70-40K7	3622	107	3590	106	3572	105	3698	109	34
ORX-2-DPT-16L-70-40K8	3353	99	3323	98	3306	97	3422	101	34
ORX-2-DPT-16L-70-50K7	3622	107	3590	106	3572	105	3698	109	34
ORX-2-DPT-16L-70-50K8	3353	99	3323	98	3306	97	3422	101	34
ORX-2-DPT-16L-1-27K7	4651	91	4610	90	4586	90	4748	93	51
ORX-2-DPT-16L-1-27K8	4355	85	4316	85	4294	84	4446	87	51
ORX-2-DPT-16L-1-30K7	5029	99	4984	98	4959	97	5133	101	51
ORX-2-DPT-16L-1-30K8	4669	92	4628	91	4604	90	4766	93	51
ORX-2-DPT-16L-1-35K8	4669	92	4628	91	4604	90	4766	93	51
ORX-2-DPT-16L-1-40K7	5434	107	5385	106	5358	105	5547	109	51
ORX-2-DPT-16L-1-40K8	5029	99	4984	98	4959	97	5133	101	51
ORX-2-DPT-16L-1-50K7	5434	107	5385	106	5358	105	5547	109	51
ORX-2-DPT-16L-1-50K8	5029	99	4984	98	4959	97	5133	101	51

PRODUCT SPECIFICATIONS

DOUBLE ARM POST TOP - 16L NO LENS

LUMEN CHART - PERFORMANCE SILICONE MICRO OPTICS - NO LENS					
PART NUMBER	T4FTW	LPW	T5W	LPW	WATTAGE
ORX-2-DPT-16L-40-27K7	2113	101	2025	96	21
ORX-2-DPT-16L-40-27K8	1979	94	1896	90	21
ORX-2-DPT-16L-40-30K7	2284	109	2189	104	21
ORX-2-DPT-16L-40-30K8	2121	101	2033	97	21
ORX-2-DPT-16L-40-35K8	2121	101	2033	97	21
ORX-2-DPT-16L-40-40K7	2468	118	2366	113	21
ORX-2-DPT-16L-40-40K8	2284	109	2190	104	21
ORX-2-DPT-16L-40-50K7	2468	118	2366	113	21
ORX-2-DPT-16L-40-50K8	2284	109	2190	104	21
ORX-2-DPT-16L-53-27K7	2602	93	2843	102	28
ORX-2-DPT-16L-53-27K8	2437	87	2662	95	28
ORX-2-DPT-16L-53-30K7	2813	100	3074	110	28
ORX-2-DPT-16L-53-30K8	2612	93	2855	102	28
ORX-2-DPT-16L-53-35K8	2612	93	2855	102	28
ORX-2-DPT-16L-53-40K7	3040	109	3322	119	28
ORX-2-DPT-16L-53-40K8	2814	100	3075	110	28
ORX-2-DPT-16L-53-50K7	3040	109	3322	119	28
ORX-2-DPT-16L-53-50K8	2814	100	3075	110	28
ORX-2-DPT-16L-70-27K7	3069	85	3564	99	36
ORX-2-DPT-16L-70-27K8	2874	80	3337	93	36
ORX-2-DPT-16L-70-30K7	3318	92	3853	107	36
ORX-2-DPT-16L-70-30K8	3081	86	3578	99	36
ORX-2-DPT-16L-70-35K8	3081	86	3578	99	36
ORX-2-DPT-16L-70-40K7	3586	100	4163	116	36
ORX-2-DPT-16L-70-40K8	3319	92	3853	107	36
ORX-2-DPT-16L-70-50K7	3586	100	4163	116	36
ORX-2-DPT-16L-70-50K8	3319	92	3853	107	36
ORX-2-DPT-16L-1-27K7	4682	84	4936	88	56
ORX-2-DPT-16L-1-27K8	4384	78	4622	83	56
ORX-2-DPT-16L-1-30K7	5062	90	5336	95	56
ORX-2-DPT-16L-1-30K8	4701	84	4955	88	56
ORX-2-DPT-16L-1-35K8	4701	84	4955	88	56
ORX-2-DPT-16L-1-40K7	5470	98	5766	103	56
ORX-2-DPT-16L-1-40K8	5063	90	5337	95	56
ORX-2-DPT-16L-1-50K7	5470	98	5766	103	56
ORX-2-DPT-16L-1-50K8	5063	90	5337	95	56

PRODUCT SPECIFICATIONS

DOUBLE ARM POST TOP - 32L NO LENS

LUMEN CHART - STANDARD SILICONE MICRO OPTICS - NO LENS									
PART NUMBER	T2	LPW	T3	LPW	T4	LPW	T5	LPW	WATTAGE
ORX-2-DPT-32L-35-27K7	3101	91	3073	90	3057	90	3165	93	34
ORX-2-DPT-32L-35-27K8	2904	85	2878	85	2863	84	2964	87	34
ORX-2-DPT-32L-35-30K7	3353	99	3323	98	3306	97	3422	101	34
ORX-2-DPT-32L-35-30K8	3113	92	3085	91	3069	90	3178	93	34
ORX-2-DPT-32L-35-35K8	3113	92	3085	91	3069	90	3178	93	34
ORX-2-DPT-32L-35-40K7	3622	107	3590	106	3572	105	3698	109	34
ORX-2-DPT-32L-35-40K8	3353	99	3323	98	3306	97	3422	101	34
ORX-2-DPT-32L-35-50K7	3622	107	3590	106	3572	105	3698	109	34
ORX-2-DPT-32L-35-50K8	3353	99	3323	98	3306	97	3422	101	34
ORX-2-DPT-32L-53-27K7	4695	90	4654	89	4630	89	4793	92	52
ORX-2-DPT-32L-53-27K8	4397	85	4357	84	4335	83	4488	86	52
ORX-2-DPT-32L-53-30K7	5077	98	5031	97	5006	96	5182	100	52
ORX-2-DPT-32L-53-30K8	4714	91	4672	90	4648	89	4812	93	52
ORX-2-DPT-32L-53-35K8	4714	91	4672	90	4648	89	4812	93	52
ORX-2-DPT-32L-53-40K7	5485	105	5437	105	5409	104	5600	108	52
ORX-2-DPT-32L-53-40K8	5077	98	5031	97	5006	96	5182	100	52
ORX-2-DPT-32L-53-50K7	5485	105	5437	105	5409	104	5600	108	52
ORX-2-DPT-32L-53-50K8	5077	98	5031	97	5006	96	5182	100	52
ORX-2-DPT-32L-7-27K7	6201	91	6146	90	6115	90	6331	93	68
ORX-2-DPT-32L-7-27K8	5807	85	5755	85	5726	84	5927	87	68
ORX-2-DPT-32L-7-30K7	6705	99	6645	98	6611	97	6844	101	68
ORX-2-DPT-32L-7-30K8	6226	92	6170	91	6139	90	6355	93	68
ORX-2-DPT-32L-7-35K8	6226	92	6170	91	6139	90	6355	93	68
ORX-2-DPT-32L-7-40K7	7245	107	7180	106	7143	105	7396	109	68
ORX-2-DPT-32L-7-40K8	6705	99	6645	98	6611	97	6844	101	68
ORX-2-DPT-32L-7-50K7	7245	107	7180	106	7143	105	7396	109	68
ORX-2-DPT-32L-7-50K8	6705	99	6645	98	6611	97	6844	101	68
ORX-2-DPT-32L-1-27K7	9303	91	9219	90	9172	90	9496	93	102
ORX-2-DPT-32L-1-27K8	8710	85	8632	85	8588	84	8891	87	102
ORX-2-DPT-32L-1-30K7	10058	99	9968	98	9917	97	10267	101	102
ORX-2-DPT-32L-1-30K8	9339	92	9255	91	9208	90	9533	93	102
ORX-2-DPT-32L-1-35K8	9339	92	9255	91	9208	90	9533	93	102
ORX-2-DPT-32L-1-40K7	10868	107	10770	106	10715	105	11093	109	102
ORX-2-DPT-32L-1-40K8	10058	99	9968	98	9917	97	10267	101	102
ORX-2-DPT-32L-1-50K7	10868	107	10770	106	10715	105	11093	109	102
ORX-2-DPT-32L-1-50K8	10058	99	9968	98	9917	97	10267	101	102
ORX-2-DPT-32L-12-27K7	11074	89	10975	88	10919	87	11304	90	125
ORX-2-DPT-32L-12-27K8	10369	83	10277	82	10224	82	10585	85	125
ORX-2-DPT-32L-12-30K7	11974	96	11867	95	11806	94	12222	98	125
ORX-2-DPT-32L-12-30K8	11117	89	11018	88	10962	88	11348	91	125
ORX-2-DPT-32L-12-35K8	11117	89	11018	88	10962	88	11348	91	125
ORX-2-DPT-32L-12-40K7	12937	103	12822	103	12756	102	13206	106	125
ORX-2-DPT-32L-12-40K8	11974	96	11867	95	11806	94	12222	98	125
ORX-2-DPT-32L-12-50K7	12937	103	12822	103	12756	102	13206	106	125
ORX-2-DPT-32L-12-50K8	11974	96	11867	95	11806	94	12222	98	125
ORX-2-DPT-32L-14-27K7	12403	89	12292	88	12229	87	12661	90	140
ORX-2-DPT-32L-14-27K8	11614	83	12340	88	11451	82	11855	85	140
ORX-2-DPT-32L-14-30K7	13410	96	13291	95	13223	94	13689	98	140
ORX-2-DPT-32L-14-30K8	12452	89	12340	88	12277	88	12710	91	140
ORX-2-DPT-32L-14-35K8	12452	89	12340	88	12277	88	12710	91	140
ORX-2-DPT-32L-14-40K7	14490	103	14360	103	14287	102	14791	106	140
ORX-2-DPT-32L-14-40K8	13410	96	13291	95	13223	94	13689	98	140
ORX-2-DPT-32L-14-50K7	14490	103	14360	103	14287	102	14791	106	140
ORX-2-DPT-32L-14-50K8	13410	96	13291	95	13223	94	13689	98	140

PRODUCT SPECIFICATIONS

DOUBLE ARM POST TOP - 32L NO LENS

LUMEN CHART - PERFORMANCE SILICONE MICRO OPTICS - NO LENS					
PART NUMBER	T4FTW	LPW	T5W	LPW	WATTAGE
ORX-2-DPT-32L-35-27K7	3281	97	4012	118	34
ORX-2-DPT-32L-35-27K8	3072	90	3757	111	34
ORX-2-DPT-32L-35-30K7	3548	104	4338	128	34
ORX-2-DPT-32L-35-30K8	3295	97	4029	118	34
ORX-2-DPT-32L-35-35K8	3295	97	4029	118	34
ORX-2-DPT-32L-35-40K7	3833	113	4687	138	34
ORX-2-DPT-32L-35-40K8	3548	104	4338	128	34
ORX-2-DPT-32L-35-50K7	3833	113	4687	138	34
ORX-2-DPT-32L-35-50K8	3548	104	4338	128	34
ORX-2-DPT-32L-53-27K7	4574	88	6092	117	52
ORX-2-DPT-32L-53-27K8	4283	82	5705	110	52
ORX-2-DPT-32L-53-30K7	4946	95	6587	127	52
ORX-2-DPT-32L-53-30K8	4593	88	6117	118	52
ORX-2-DPT-32L-53-35K8	4593	88	6117	118	52
ORX-2-DPT-32L-53-40K7	5344	103	7117	137	52
ORX-2-DPT-32L-53-40K8	4946	95	6588	127	52
ORX-2-DPT-32L-53-50K7	5344	103	7117	137	52
ORX-2-DPT-32L-53-50K8	4946	95	6588	127	52
ORX-2-DPT-32L-7-27K7	5639	79	8138	115	71
ORX-2-DPT-32L-7-27K8	5281	74	7621	107	71
ORX-2-DPT-32L-7-30K7	6097	86	8798	124	71
ORX-2-DPT-32L-7-30K8	5662	80	8171	115	71
ORX-2-DPT-32L-7-35K8	5662	80	8171	115	71
ORX-2-DPT-32L-7-40K7	6588	93	9507	134	71
ORX-2-DPT-32L-7-40K8	6098	86	8800	124	71
ORX-2-DPT-32L-7-50K7	6588	93	9507	134	71
ORX-2-DPT-32L-7-50K8	6098	86	8800	124	71
ORX-2-DPT-32L-1-27K7	8160	78	10697	102	105
ORX-2-DPT-32L-1-27K8	7641	73	10017	95	105
ORX-2-DPT-32L-1-30K7	8823	84	11566	110	105
ORX-2-DPT-32L-1-30K8	8194	78	10741	102	105
ORX-2-DPT-32L-1-35K8	8194	78	10741	102	105
ORX-2-DPT-32L-1-40K7	9533	91	12497	119	105
ORX-2-DPT-32L-1-40K8	8824	84	11567	110	105
ORX-2-DPT-32L-1-50K7	9533	91	12497	119	105
ORX-2-DPT-32L-1-50K8	8824	84	11567	110	105
ORX-2-DPT-32L-12-27K7	9685	77	12516	99	126
ORX-2-DPT-32L-12-27K8	9069	72	11721	93	126
ORX-2-DPT-32L-12-30K7	10471	83	13532	107	126
ORX-2-DPT-32L-12-30K8	9724	77	12567	100	126
ORX-2-DPT-32L-12-35K8	9724	77	12567	100	126
ORX-2-DPT-32L-12-40K7	11314	90	14621	116	126
ORX-2-DPT-32L-12-40K8	10472	83	13533	107	126
ORX-2-DPT-32L-12-50K7	11314	90	14621	116	126
ORX-2-DPT-32L-12-50K8	10472	83	13533	107	126
ORX-2-DPT-32L-14-27K7	10698	76	14021	99	141
ORX-2-DPT-32L-14-27K8	10018	71	13130	93	141
ORX-2-DPT-32L-14-30K7	11567	82	15159	108	141
ORX-2-DPT-32L-14-30K8	10742	76	14078	100	141
ORX-2-DPT-32L-14-35K8	10742	76	14078	100	141
ORX-2-DPT-32L-14-40K7	12498	89	16379	116	141
ORX-2-DPT-32L-14-40K8	11568	82	15161	108	141
ORX-2-DPT-32L-14-50K7	12498	89	16379	116	141
ORX-2-DPT-32L-14-50K8	11568	82	15161	108	141

PRODUCT SPECIFICATIONS

DOUBLE ARM POST TOP - 64L NO LENS

LUMEN CHART - STANDARD SILICONE MICRO OPTICS - NO LENS									
PART NUMBER	T2	LPW	T3	LPW	T4	LPW	T5	LPW	WATTAGE
ORX-2-DPT-64L-35-27K7	6201	91	6146	90	6115	90	6330	93	68
ORX-2-DPT-64L-35-27K8	5807	85	5755	85	5725	84	5927	87	68
ORX-2-DPT-64L-35-30K7	6705	99	6646	98	6611	97	6884	101	68
ORX-2-DPT-64L-35-30K8	6226	92	6170	91	6138	90	6355	93	68
ORX-2-DPT-64L-35-35K8	6226	92	6170	91	6138	90	6355	93	68
ORX-2-DPT-64L-35-40K7	7245	107	7180	106	7143	105	7395	109	68
ORX-2-DPT-64L-35-40K8	6705	99	6646	98	6611	97	6844	101	68
ORX-2-DPT-64L-35-50K7	7245	107	7180	106	7143	105	7395	109	68
ORX-2-DPT-64L-35-50K8	6705	99	6646	98	6611	97	6844	101	68
ORX-2-DPT-64L-53-27K7	9391	91	9307	90	9259	90	9586	93	103
ORX-2-DPT-64L-53-27K8	8793	85	8714	85	8670	84	8975	87	103
ORX-2-DPT-64L-53-30K7	10153	99	10063	98	10011	97	10364	101	103
ORX-2-DPT-64L-53-30K8	9427	92	9343	91	9295	90	9623	93	103
ORX-2-DPT-64L-53-35K8	9427	92	9343	91	9295	90	9623	93	103
ORX-2-DPT-64L-53-40K7	10971	107	10873	106	10817	105	11199	109	103
ORX-2-DPT-64L-53-40K8	10153	99	10063	98	10011	97	10364	101	103
ORX-2-DPT-64L-53-50K7	10971	107	10873	106	10817	105	11199	109	103
ORX-2-DPT-64L-53-50K8	10153	99	10063	98	10011	97	10364	101	103
ORX-2-DPT-64L-7-27K7	12403	91	12293	90	12229	89	12661	92	137
ORX-2-DPT-64L-7-27K8	11613	85	12340	90	11451	84	11854	87	137
ORX-2-DPT-64L-7-30K7	13410	98	13291	97	13222	97	13689	100	137
ORX-2-DPT-64L-7-30K8	12451	91	12340	90	12277	90	12710	93	137
ORX-2-DPT-64L-7-35K8	12451	91	12340	90	12277	90	12710	93	137
ORX-2-DPT-64L-7-40K7	14490	106	14360	105	14287	104	14791	108	137
ORX-2-DPT-64L-7-40K8	13410	98	13291	97	13222	97	13689	100	137
ORX-2-DPT-64L-7-50K7	14490	106	14360	105	14287	104	14791	108	137
ORX-2-DPT-64L-7-50K8	13410	98	13291	97	13222	97	13689	100	137
ORX-2-DPT-64L-1A-27K7	17719	89	17561	88	17471	87	18087	90	200
ORX-2-DPT-64L-1A-27K8	16590	83	16443	82	16358	82	16935	85	200
ORX-2-DPT-64L-1A-30K7	19157	96	18987	95	18889	94	19555	98	200
ORX-2-DPT-64L-1A-30K8	17788	89	17629	88	17539	88	18157	91	200
ORX-2-DPT-64L-1A-35K8	17788	89	17629	88	17539	88	18157	91	200
ORX-2-DPT-64L-1A-40K7	20699	103	20515	103	20410	102	21129	106	200
ORX-2-DPT-64L-1A-40K8	19157	96	18987	95	18889	94	19555	98	200
ORX-2-DPT-64L-1A-50K7	20699	103	20515	103	20410	102	21129	106	200
ORX-2-DPT-64L-1A-50K8	19157	96	18987	95	18889	94	19555	98	200

PRODUCT SPECIFICATIONS

DOUBLE ARM POST TOP - 64L NO LENS

LUMEN CHART - PERFORMANCE SILICONE MICRO OPTICS - NO LENS					
PART NUMBER	T4FTW	LPW	T5W	LPW	WATTAGE
ORX-2-DPT-64L-35-27K7	7336	108	7362	108	68
ORX-2-DPT-64L-35-27K8	6870	101	6894	101	68
ORX-2-DPT-64L-35-30K7	7931	117	7960	117	68
ORX-2-DPT-64L-35-30K8	7365	108	7392	109	68
ORX-2-DPT-64L-35-35K8	7365	108	7392	109	68
ORX-2-DPT-64L-35-40K7	8570	126	8601	126	68
ORX-2-DPT-64L-35-40K8	7933	117	7961	117	68
ORX-2-DPT-64L-35-50K7	8570	126	8601	126	68
ORX-2-DPT-64L-35-50K8	7933	117	7961	117	68
ORX-2-DPT-64L-53-27K7	10236	99	11064	107	103
ORX-2-DPT-64L-53-27K8	9585	93	10361	101	103
ORX-2-DPT-64L-53-30K7	11067	107	11962	116	103
ORX-2-DPT-64L-53-30K8	10278	100	11109	108	103
ORX-2-DPT-64L-53-35K8	10278	100	11109	108	103
ORX-2-DPT-64L-53-40K7	11958	116	12925	125	103
ORX-2-DPT-64L-53-40K8	11069	107	11964	116	103
ORX-2-DPT-64L-53-50K7	11958	116	12925	125	103
ORX-2-DPT-64L-53-50K8	11069	107	11964	116	103
ORX-2-DPT-64L-7-27K7	12270	91	14156	105	135
ORX-2-DPT-64L-7-27K8	11490	85	13256	98	135
ORX-2-DPT-64L-7-30K7	13266	98	15305	113	135
ORX-2-DPT-64L-7-30K8	12320	91	14213	105	135
ORX-2-DPT-64L-7-35K8	12320	91	14213	105	135
ORX-2-DPT-64L-7-40K7	14334	106	16537	122	135
ORX-2-DPT-64L-7-40K8	13268	98	15307	113	135
ORX-2-DPT-64L-7-50K7	14334	106	16537	122	135
ORX-2-DPT-64L-7-50K8	13268	98	15307	113	135
ORX-2-DPT-64L-1A-27K7	17245	89	17852	92	193
ORX-2-DPT-64L-1A-27K8	16149	84	16717	87	193
ORX-2-DPT-64L-1A-30K7	18645	97	19301	100	193
ORX-2-DPT-64L-1A-30K8	17315	90	17924	93	193
ORX-2-DPT-64L-1A-35K8	17315	90	17924	93	193
ORX-2-DPT-64L-1A-40K7	20146	104	20855	108	193
ORX-2-DPT-64L-1A-40K8	18647	97	19304	100	193
ORX-2-DPT-64L-1A-50K7	20146	104	20855	108	193
ORX-2-DPT-64L-1A-50K8	18647	97	19304	100	193

PRODUCT SPECIFICATIONS

SINGLE ARM POST TOP - 16L LENSED

LUMEN CHART - PERFORMANCE SILICONE MICRO OPTICS - LENSED					
PART NUMBER	T4FTW CTG	LPW	T5W CTG	LPW	WATTAGE
ORX-2-SPT-16L-40-27K7	1771	84	1600	76	21
ORX-2-SPT-16L-40-27K8	1658	79	1498	71	21
ORX-2-SPT-16L-40-30K7	1915	91	1729	82	21
ORX-2-SPT-16L-40-30K8	1778	85	1606	76	21
ORX-2-SPT-16L-40-35K8	1778	85	1606	76	21
ORX-2-SPT-16L-40-40K7	2069	99	1869	89	21
ORX-2-SPT-16L-40-40K8	1915	91	1730	82	21
ORX-2-SPT-16L-40-50K7	2069	99	1869	89	21
ORX-2-SPT-16L-40-50K8	1915	91	1730	82	21
ORX-2-SPT-16L-53-27K7	2179	78	2255	81	28
ORX-2-SPT-16L-53-27K8	2041	73	2112	75	28
ORX-2-SPT-16L-53-30K7	2356	84	2438	87	28
ORX-2-SPT-16L-53-30K8	2188	78	2264	81	28
ORX-2-SPT-16L-53-35K8	2188	78	2264	81	28
ORX-2-SPT-16L-53-40K7	2545	91	2634	94	28
ORX-2-SPT-16L-53-40K8	2356	84	2438	87	28
ORX-2-SPT-16L-53-50K7	2545	91	2634	94	28
ORX-2-SPT-16L-53-50K8	2356	84	2438	87	28
ORX-2-SPT-16L-7-27K7	2566	71	2820	78	36
ORX-2-SPT-16L-7-27K8	2403	67	2641	73	36
ORX-2-SPT-16L-7-30K7	2774	77	3049	85	36
ORX-2-SPT-16L-7-30K8	2576	72	2832	79	36
ORX-2-SPT-16L-7-35K8	2576	72	2832	79	36
ORX-2-SPT-16L-7-40K7	2997	83	3295	92	36
ORX-2-SPT-16L-7-40K8	2774	77	3050	85	36
ORX-2-SPT-16L-7-50K7	2997	83	3295	92	36
ORX-2-SPT-16L-7-50K8	2774	77	3050	85	36

PRODUCT SPECIFICATIONS

SINGLE ARM POST TOP - 32L LENSED

LUMEN CHART - PERFORMANCE SILICONE MICRO OPTICS - LENSED					
PART NUMBER	T4FTW CTG	LPW	T5W CTG	LPW	WATTAGE
ORX-2-SPT-32L-35-27K7	2765	81	2931	86	34
ORX-2-SPT-32L-35-27K8	2589	76	2745	81	34
ORX-2-SPT-32L-35-30K7	2990	88	3169	93	34
ORX-2-SPT-32L-35-30K8	2777	82	2943	87	34
ORX-2-SPT-32L-35-35K8	2777	82	2943	87	34
ORX-2-SPT-32L-35-40K7	3230	95	3425	101	34
ORX-2-SPT-32L-35-40K8	2990	88	3170	93	34
ORX-2-SPT-32L-35-50K7	3230	95	3425	101	34
ORX-2-SPT-32L-35-50K8	2990	88	3170	93	34
ORX-2-SPT-32L-53-27K7	3851	74	4446	86	52
ORX-2-SPT-32L-53-27K8	3606	69	4163	80	52
ORX-2-SPT-32L-53-30K7	4164	80	4807	92	52
ORX-2-SPT-32L-53-30K8	3867	74	4464	86	52
ORX-2-SPT-32L-53-35K8	3867	74	4464	86	52
ORX-2-SPT-32L-53-40K7	4499	87	5193	100	52
ORX-2-SPT-32L-53-40K8	4164	80	4807	92	52
ORX-2-SPT-32L-53-50K7	4499	87	5193	100	52
ORX-2-SPT-32L-53-50K8	4164	80	4807	92	52
ORX-2-SPT-32L-7-27K7	4743	67	5967	84	71
ORX-2-SPT-32L-7-27K8	4442	63	5588	79	71
ORX-2-SPT-32L-7-30K7	5128	72	6452	91	71
ORX-2-SPT-32L-7-30K8	4762	67	5992	84	71
ORX-2-SPT-32L-7-35K8	4762	67	5992	84	71
ORX-2-SPT-32L-7-40K7	5541	78	6971	98	71
ORX-2-SPT-32L-7-40K8	5129	72	6452	91	71
ORX-2-SPT-32L-7-50K7	5541	78	6971	98	71
ORX-2-SPT-32L-7-50K8	5129	72	6452	91	71

PRODUCT SPECIFICATIONS

SINGLE ARM POST TOP - 64L LENSED

LUMEN CHART - PERFORMANCE SILICONE MICRO OPTICS					
PART NUMBER	T4FTW CTG	LPW	T5W CTG	LPW	WATTAGE
ORX-2-SPT-64L-35-27K7	6074	89	5476	81	68
ORX-2-SPT-64L-35-27K8	5688	84	5128	75	68
ORX-2-SPT-64L-35-30K7	6567	97	5921	87	68
ORX-2-SPT-64L-35-30K8	6099	90	5499	81	68
ORX-2-SPT-64L-35-35K8	6099	90	5499	81	68
ORX-2-SPT-64L-35-40K7	7096	104	6397	94	68
ORX-2-SPT-64L-35-40K8	6568	97	5921	87	68
ORX-2-SPT-64L-35-50K7	7096	104	6397	94	68
ORX-2-SPT-64L-35-50K8	6568	97	5921	87	68
ORX-2-SPT-64L-53-27K7	8452	82	8220	80	103
ORX-2-SPT-64L-53-27K8	7915	77	7698	75	103
ORX-2-SPT-64L-53-30K7	9138	89	8887	86	103
ORX-2-SPT-64L-53-30K8	8486	82	8253	80	103
ORX-2-SPT-64L-53-35K8	8486	82	8253	80	103
ORX-2-SPT-64L-53-40K7	9874	96	9603	93	103
ORX-2-SPT-64L-53-40K8	9140	89	8889	86	103
ORX-2-SPT-64L-53-50K7	9874	96	9603	93	103
ORX-2-SPT-64L-53-50K8	9140	89	8889	86	103
ORX-2-SPT-64L-7-27K7	10098	75	10480	78	135
ORX-2-SPT-64L-7-27K8	9456	70	9814	73	135
ORX-2-SPT-64L-7-30K7	10917	81	11331	84	135
ORX-2-SPT-64L-7-30K8	10138	75	10523	78	135
ORX-2-SPT-64L-7-35K8	10138	75	10523	78	135
ORX-2-SPT-64L-7-40K7	11796	87	12243	91	135
ORX-2-SPT-64L-7-40K8	10919	81	11332	84	135
ORX-2-SPT-64L-7-50K7	11796	87	12243	91	135
ORX-2-SPT-64L-7-50K8	10919	81	11332	84	135

PRODUCT SPECIFICATIONS

DOUBLE ARM POST TOP - 16L LENSED

LUMEN CHART - PERFORMANCE SILICONE MICRO OPTICS - LENSED					
PART NUMBER	T4FTW CTG	LPW	T5W CTG	LPW	WATTAGE
ORX-2-DPT-16L-40-27K7	1796	86	1721	82	21
ORX-2-DPT-16L-40-27K8	1682	80	1612	77	21
ORX-2-DPT-16L-40-30K7	1942	92	1861	89	21
ORX-2-DPT-16L-40-30K8	1803	86	1728	82	21
ORX-2-DPT-16L-40-35K8	1803	86	1728	82	21
ORX-2-DPT-16L-40-40K7	2098	100	2011	96	21
ORX-2-DPT-16L-40-40K8	1942	92	1861	89	21
ORX-2-DPT-16L-40-50K7	2098	100	2011	96	21
ORX-2-DPT-16L-40-50K8	1942	92	1861	89	21
ORX-2-DPT-16L-53-27K7	2212	79	2417	86	28
ORX-2-DPT-16L-53-27K8	2071	74	2263	81	28
ORX-2-DPT-16L-53-30K7	2391	85	2613	93	28
ORX-2-DPT-16L-53-30K8	2220	79	2427	87	28
ORX-2-DPT-16L-53-35K8	2220	79	2427	87	28
ORX-2-DPT-16L-53-40K7	2584	92	2823	101	28
ORX-2-DPT-16L-53-40K8	2392	85	2613	93	28
ORX-2-DPT-16L-53-50K7	2584	92	2823	101	28
ORX-2-DPT-16L-53-50K8	2392	85	2613	93	28
ORX-2-DPT-16L-7-27K7	2609	72	3029	84	36
ORX-2-DPT-16L-7-27K8	2443	68	2836	79	36
ORX-2-DPT-16L-7-30K7	2821	78	3275	91	36
ORX-2-DPT-16L-7-30K8	2620	73	3041	84	36
ORX-2-DPT-16L-7-35K8	2620	73	3041	84	36
ORX-2-DPT-16L-7-40K7	3048	85	3539	98	36
ORX-2-DPT-16L-7-40K8	2821	78	3276	91	36
ORX-2-DPT-16L-7-50K7	3048	85	3539	98	36
ORX-2-DPT-16L-7-50K8	2821	78	3276	91	36

PRODUCT SPECIFICATIONS

DOUBLE ARM POST TOP - 32L LENSED

LUMEN CHART - PERFORMANCE SILICONE MICRO OPTICS - LENSED					
PART NUMBER	T4FTW CTG	LPW	T5W CTG	LPW	WATTAGE
ORX-2-DPT-32L-35-27K7	2789	82	3411	100	34
ORX-2-DPT-32L-35-27K8	2612	77	3194	94	34
ORX-2-DPT-32L-35-30K7	3015	89	3687	108	34
ORX-2-DPT-32L-35-30K8	2800	82	3424	101	34
ORX-2-DPT-32L-35-35K8	2800	82	3424	101	34
ORX-2-DPT-32L-35-40K7	3258	96	3984	117	34
ORX-2-DPT-32L-35-40K8	3016	89	3688	108	34
ORX-2-DPT-32L-35-50K7	3258	96	3984	117	34
ORX-2-DPT-32L-35-50K8	3016	89	3688	108	34
ORX-2-DPT-32L-53-27K7	3888	75	5179	100	52
ORX-2-DPT-32L-53-27K8	3641	70	4850	93	52
ORX-2-DPT-32L-53-30K7	4204	81	5599	108	52
ORX-2-DPT-32L-53-30K8	3904	75	5200	100	52
ORX-2-DPT-32L-53-35K8	3904	75	5200	100	52
ORX-2-DPT-32L-53-40K7	4542	87	6050	116	52
ORX-2-DPT-32L-53-40K8	4204	81	5600	108	52
ORX-2-DPT-32L-53-50K7	4542	87	6050	116	52
ORX-2-DPT-32L-53-50K8	4204	81	5600	108	52
ORX-2-DPT-32L-7-27K7	4793	68	6917	97	71
ORX-2-DPT-32L-7-27K8	4488	63	6477	91	71
ORX-2-DPT-32L-7-30K7	5182	73	7479	105	71
ORX-2-DPT-32L-7-30K8	4812	68	6946	98	71
ORX-2-DPT-32L-7-35K8	4812	68	6946	98	71
ORX-2-DPT-32L-7-40K7	5600	79	8081	114	71
ORX-2-DPT-32L-7-40K8	5183	73	7480	105	71
ORX-2-DPT-32L-7-50K7	5600	79	8081	114	71
ORX-2-DPT-32L-7-50K8	5183	73	7480	105	71

PRODUCT SPECIFICATIONS

DOUBLE ARM POST TOP - 64L LENSED

LUMEN CHART - PERFORMANCE SILICONE MICRO OPTICS - LENSED					
PART NUMBER	T4FTW CTG	LPW	T5W CTG	LPW	WATTAGE
ORX-2-DPT-64L-35-27K7	6235	92	6258	92	68
ORX-2-DPT-64L-35-27K8	5839	86	5860	86	68
ORX-2-DPT-64L-35-30K7	6742	99	6766	100	68
ORX-2-DPT-64L-35-30K8	6261	92	6283	92	68
ORX-2-DPT-64L-35-35K8	6261	92	6283	92	68
ORX-2-DPT-64L-35-40K7	7284	107	7310	108	68
ORX-2-DPT-64L-35-40K8	6742	99	6766	100	68
ORX-2-DPT-64L-35-50K7	7284	107	7310	108	68
ORX-2-DPT-64L-35-50K8	6742	99	6766	100	68
ORX-2-DPT-64L-53-27K7	8701	84	9404	91	103
ORX-2-DPT-64L-53-27K8	8148	79	8806	85	103
ORX-2-DPT-64L-53-30K7	9407	91	10168	99	103
ORX-2-DPT-64L-53-30K8	8736	85	9443	92	103
ORX-2-DPT-64L-53-35K8	8736	85	9443	92	103
ORX-2-DPT-64L-53-40K7	10165	99	10986	107	103
ORX-2-DPT-64L-53-40K8	9409	91	10169	99	103
ORX-2-DPT-64L-53-50K7	10165	99	10986	107	103
ORX-2-DPT-64L-53-50K8	9409	91	10169	99	103
ORX-2-DPT-64L-7-27K7	10429	77	12032	89	135
ORX-2-DPT-64L-7-27K8	9766	72	11267	83	135
ORX-2-DPT-64L-7-30K7	11276	84	13009	96	135
ORX-2-DPT-64L-7-30K8	10472	78	12081	89	135
ORX-2-DPT-64L-7-35K8	10472	78	12081	89	135
ORX-2-DPT-64L-7-40K7	12184	90	14056	104	135
ORX-2-DPT-64L-7-40K8	11278	84	13010	96	135
ORX-2-DPT-64L-7-50K7	12184	90	14056	104	135
ORX-2-DPT-64L-7-50K8	11278	84	13010	96	135

PRODUCT SPECIFICATIONS

BUG RATING CHARTS

SINGLE ARM POST TOP - 16L

BUG RATING CHART - STANDARD SILICONE MICRO OPTICS - NO LENS				
PART NUMBER	T2	T3	T4	T5
ORX-2-SPT-16L-40-27K7	B1-U0-G1	B1-U0-G1	B1-U0-G1	B1-U0-G1
ORX-2-SPT-16L-40-27K8	B1-U0-G1	B1-U0-G1	B1-U0-G1	B1-U0-G1
ORX-2-SPT-16L-40-30K7	B1-U0-G1	B1-U0-G1	B1-U0-G1	B1-U0-G1
ORX-2-SPT-16L-40-30K8	B1-U0-G1	B1-U0-G1	B1-U0-G1	B1-U0-G1
ORX-2-SPT-16L-40-35K8	B1-U0-G1	B1-U0-G1	B1-U0-G1	B1-U0-G1
ORX-2-SPT-16L-40-40K7	B1-U0-G1	B1-U0-G1	B1-U0-G1	B1-U0-G1
ORX-2-SPT-16L-40-40K8	B1-U0-G1	B1-U0-G1	B1-U0-G1	B1-U0-G1
ORX-2-SPT-16L-40-50K7	B1-U0-G1	B1-U0-G1	B1-U0-G1	B1-U0-G1
ORX-2-SPT-16L-40-50K8	B1-U0-G1	B1-U0-G1	B1-U0-G1	B1-U0-G1
ORX-2-SPT-16L-53-27K7	B1-U0-G1	B1-U0-G1	B1-U0-G1	B2-U0-G2
ORX-2-SPT-16L-53-27K8	B1-U0-G1	B1-U0-G1	B1-U0-G1	B2-U0-G2
ORX-2-SPT-16L-53-30K7	B1-U0-G1	B1-U0-G1	B1-U0-G1	B2-U0-G2
ORX-2-SPT-16L-53-30K8	B1-U0-G1	B1-U0-G1	B1-U0-G1	B2-U0-G2
ORX-2-SPT-16L-53-35K8	B1-U0-G1	B1-U0-G1	B1-U0-G1	B2-U0-G2
ORX-2-SPT-16L-53-40K7	B1-U0-G1	B1-U0-G1	B1-U0-G1	B2-U0-G2
ORX-2-SPT-16L-53-40K8	B1-U0-G1	B1-U0-G1	B1-U0-G1	B2-U0-G2
ORX-2-SPT-16L-53-50K7	B1-U0-G1	B1-U0-G1	B1-U0-G1	B2-U0-G2
ORX-2-SPT-16L-53-50K8	B1-U0-G1	B1-U0-G1	B1-U0-G1	B2-U0-G2
ORX-2-SPT-16L-70-27K7	B1-U0-G1	B1-U0-G1	B1-U0-G1	B2-U0-G2
ORX-2-SPT-16L-70-27K8	B1-U0-G1	B1-U0-G1	B1-U0-G1	B2-U0-G2
ORX-2-SPT-16L-70-30K7	B1-U0-G1	B1-U0-G1	B1-U0-G1	B2-U0-G2
ORX-2-SPT-16L-70-30K8	B1-U0-G1	B1-U0-G1	B1-U0-G1	B2-U0-G2
ORX-2-SPT-16L-70-35K8	B1-U0-G1	B1-U0-G1	B1-U0-G1	B2-U0-G2
ORX-2-SPT-16L-70-40K7	B1-U0-G1	B1-U0-G1	B1-U0-G1	B2-U0-G2
ORX-2-SPT-16L-70-40K8	B1-U0-G1	B1-U0-G1	B1-U0-G1	B2-U0-G2
ORX-2-SPT-16L-70-50K7	B1-U0-G1	B1-U0-G1	B1-U0-G1	B2-U0-G2
ORX-2-SPT-16L-70-50K8	B1-U0-G1	B1-U0-G1	B1-U0-G1	B2-U0-G2
ORX-2-SPT-16L-1-27K7	B1-U0-G1	B1-U0-G1	B1-U0-G1	B3-U0-G3
ORX-2-SPT-16L-1-27K8	B1-U0-G1	B1-U0-G1	B1-U0-G1	B3-U0-G3
ORX-2-SPT-16L-1-30K7	B1-U0-G1	B1-U0-G1	B1-U0-G1	B3-U0-G3
ORX-2-SPT-16L-1-30K8	B1-U0-G1	B1-U0-G1	B1-U0-G1	B3-U0-G3
ORX-2-SPT-16L-1-35K8	B1-U0-G1	B1-U0-G1	B1-U0-G1	B3-U0-G3
ORX-2-SPT-16L-1-40K7	B1-U0-G1	B1-U0-G1	B1-U0-G2	B3-U0-G3
ORX-2-SPT-16L-1-40K8	B1-U0-G1	B1-U0-G1	B1-U0-G1	B3-U0-G3
ORX-2-SPT-16L-1-50K7	B1-U0-G1	B1-U0-G1	B1-U0-G2	B3-U0-G3
ORX-2-SPT-16L-1-50K8	B1-U0-G1	B1-U0-G1	B1-U0-G1	B3-U0-G3

LUMEN CHART - PERFORMANCE SILICONE MICRO OPTICS				
PART NUMBER	T4FTW	T4FTW CTG	T5W	T5W CTG
ORX-2-SPT-16L-40-27K7	B1-U0-G1	B0-U0-G1	B2-U0-G2	B1-U0-G1
ORX-2-SPT-16L-40-27K8	B1-U0-G1	B0-U0-G1	B2-U0-G2	B1-U0-G1
ORX-2-SPT-16L-40-30K7	B1-U0-G1	B1-U0-G1	B2-U0-G2	B1-U0-G1
ORX-2-SPT-16L-40-30K8	B1-U0-G1	B1-U0-G1	B2-U0-G2	B1-U0-G1
ORX-2-SPT-16L-40-35K8	B1-U0-G1	B1-U0-G1	B2-U0-G2	B1-U0-G1
ORX-2-SPT-16L-40-40K7	B1-U0-G1	B1-U0-G1	B2-U0-G2	B2-U0-G2
ORX-2-SPT-16L-40-40K8	B1-U0-G1	B1-U0-G1	B2-U0-G2	B2-U0-G2
ORX-2-SPT-16L-40-50K7	B1-U0-G1	B1-U0-G1	B2-U0-G2	B2-U0-G2
ORX-2-SPT-16L-40-50K8	B1-U0-G1	B1-U0-G1	B2-U0-G2	B2-U0-G2
ORX-2-SPT-16L-53-27K7	B1-U0-G2	B1-U0-G1	B2-U0-G2	B2-U0-G2
ORX-2-SPT-16L-53-27K8	B1-U0-G2	B1-U0-G1	B2-U0-G2	B2-U0-G2
ORX-2-SPT-16L-53-30K7	B1-U0-G2	B1-U0-G1	B2-U0-G2	B2-U0-G2
ORX-2-SPT-16L-53-30K8	B1-U0-G2	B1-U0-G1	B2-U0-G2	B2-U0-G2
ORX-2-SPT-16L-53-35K8	B1-U0-G2	B1-U0-G1	B2-U0-G2	B2-U0-G2
ORX-2-SPT-16L-53-40K7	B1-U0-G2	B1-U0-G2	B2-U0-G2	B2-U0-G2
ORX-2-SPT-16L-53-40K8	B1-U0-G2	B1-U0-G2	B2-U0-G2	B2-U0-G2
ORX-2-SPT-16L-53-50K7	B1-U0-G2	B1-U0-G2	B2-U0-G2	B2-U0-G2
ORX-2-SPT-16L-53-50K8	B1-U0-G2	B1-U0-G2	B2-U0-G2	B2-U0-G2
ORX-2-SPT-16L-70-27K7	B1-U0-G2	B1-U0-G2	B2-U0-G2	B2-U0-G2
ORX-2-SPT-16L-70-27K8	B1-U0-G2	B1-U0-G2	B2-U0-G2	B2-U0-G2
ORX-2-SPT-16L-70-30K7	B1-U0-G2	B1-U0-G2	B2-U0-G2	B2-U0-G2
ORX-2-SPT-16L-70-30K8	B1-U0-G2	B1-U0-G2	B2-U0-G2	B2-U0-G2
ORX-2-SPT-16L-70-35K8	B1-U0-G2	B1-U0-G2	B2-U0-G2	B2-U0-G2
ORX-2-SPT-16L-70-40K7	B1-U0-G2	B1-U0-G2	B3-U0-G3	B2-U0-G2
ORX-2-SPT-16L-70-40K8	B1-U0-G2	B1-U0-G2	B3-U0-G3	B2-U0-G2
ORX-2-SPT-16L-70-50K7	B1-U0-G2	B1-U0-G2	B3-U0-G3	B2-U0-G2
ORX-2-SPT-16L-70-50K8	B1-U0-G2	B1-U0-G2	B3-U0-G3	B2-U0-G2
ORX-2-SPT-16L-1-27K7	B1-U0-G2	NA	B3-U0-G3	NA
ORX-2-SPT-16L-1-27K8	B1-U0-G2	NA	B3-U0-G3	NA
ORX-2-SPT-16L-1-30K7	B1-U0-G2	NA	B3-U0-G3	NA
ORX-2-SPT-16L-1-30K8	B1-U0-G2	NA	B3-U0-G3	NA
ORX-2-SPT-16L-1-35K8	B1-U0-G2	NA	B3-U0-G3	NA
ORX-2-SPT-16L-1-40K7	B1-U0-G2	NA	B3-U0-G3	NA
ORX-2-SPT-16L-1-40K8	B1-U0-G2	NA	B3-U0-G3	NA
ORX-2-SPT-16L-1-50K7	B1-U0-G2	NA	B3-U0-G3	NA
ORX-2-SPT-16L-1-50K8	B1-U0-G2	NA	B3-U0-G3	NA

PRODUCT SPECIFICATIONS

SINGLE ARM POST TOP - 64L

BUG RATING CHART - STANDARD SILICONE MICRO OPTICS				
PART NUMBER	T2	T3	T4	T5
ORX-2-SPT-64L-35-27K7	B1-U0-G1	B2-U0-G2	B1-U0-G2	B3-U0-G3
ORX-2-SPT-64L-35-27K8	B1-U0-G1	B1-U0-G1	B1-U0-G2	B3-U0-G3
ORX-2-SPT-64L-35-30K7	B1-U0-G1	B2-U0-G2	B2-U0-G2	B3-U0-G3
ORX-2-SPT-64L-35-30K8	B1-U0-G1	B2-U0-G2	B1-U0-G2	B3-U0-G3
ORX-2-SPT-64L-35-35K8	B1-U0-G1	B2-U0-G2	B1-U0-G2	B3-U0-G3
ORX-2-SPT-64L-35-40K7	B2-U0-G2	B2-U0-G2	B2-U0-G2	B3-U0-G3
ORX-2-SPT-64L-35-40K8	B1-U0-G1	B2-U0-G2	B2-U0-G2	B3-U0-G3
ORX-2-SPT-64L-35-50K7	B2-U0-G2	B2-U0-G2	B2-U0-G2	B3-U0-G3
ORX-2-SPT-64L-35-50K8	B1-U0-G1	B2-U0-G2	B2-U0-G2	B3-U0-G3
ORX-2-SPT-64L-53-27K7	B2-U0-G2	B2-U0-G2	B2-U0-G2	B3-U0-G3
ORX-2-SPT-64L-53-27K8	B2-U0-G2	B2-U0-G2	B2-U0-G2	B3-U0-G3
ORX-2-SPT-64L-53-30K7	B2-U0-G2	B2-U0-G2	B2-U0-G2	B3-U0-G3
ORX-2-SPT-64L-53-30K8	B2-U0-G2	B2-U0-G2	B2-U0-G2	B3-U0-G3
ORX-2-SPT-64L-53-35K8	B2-U0-G2	B2-U0-G2	B2-U0-G2	B3-U0-G3
ORX-2-SPT-64L-53-40K7	B2-U0-G2	B2-U0-G2	B2-U0-G2	B4-U0-G4
ORX-2-SPT-64L-53-40K8	B2-U0-G2	B2-U0-G2	B2-U0-G2	B3-U0-G3
ORX-2-SPT-64L-53-50K7	B2-U0-G2	B2-U0-G2	B2-U0-G2	B4-U0-G4
ORX-2-SPT-64L-53-50K8	B2-U0-G2	B2-U0-G2	B2-U0-G2	B3-U0-G3
ORX-2-SPT-64L-7-27K7	B2-U0-G2	B3-U0-G3	B2-U0-G2	B4-U0-G4
ORX-2-SPT-64L-7-27K8	B2-U0-G2	B2-U0-G2	B2-U0-G2	B4-U0-G4
ORX-2-SPT-64L-7-30K7	B2-U0-G2	B3-U0-G3	B3-U0-G3	B4-U0-G4
ORX-2-SPT-64L-7-30K8	B2-U0-G2	B3-U0-G3	B2-U0-G2	B4-U0-G4
ORX-2-SPT-64L-7-35K8	B2-U0-G2	B3-U0-G3	B3-U0-G3	B4-U0-G4
ORX-2-SPT-64L-7-40K7	B3-U0-G3	B3-U0-G3	B3-U0-G3	B4-U0-G4
ORX-2-SPT-64L-7-40K8	B2-U0-G2	B3-U0-G3	B3-U0-G3	B4-U0-G4
ORX-2-SPT-64L-7-50K7	B3-U0-G3	B3-U0-G3	B3-U0-G3	B4-U0-G4
ORX-2-SPT-64L-7-50K8	B2-U0-G2	B3-U0-G3	B3-U0-G3	B4-U0-G4
ORX-2-SPT-64L-1A-27K7	B3-U0-G3	B3-U0-G3	B3-U0-G3	B4-U0-G4
ORX-2-SPT-64L-1A-27K8	B3-U0-G3	B3-U0-G3	B3-U0-G3	B4-U0-G4
ORX-2-SPT-64L-1A-30K7	B3-U0-G3	B3-U0-G3	B3-U0-G3	B4-U0-G4
ORX-2-SPT-64L-1A-30K8	B3-U0-G3	B3-U0-G3	B3-U0-G3	B4-U0-G4
ORX-2-SPT-64L-1A-35K8	B3-U0-G3	B3-U0-G3	B3-U0-G3	B4-U0-G4
ORX-2-SPT-64L-1A-40K7	B3-U0-G3	B3-U0-G3	B3-U0-G3	B4-U0-G4
ORX-2-SPT-64L-1A-40K8	B3-U0-G3	B3-U0-G3	B3-U0-G3	B4-U0-G4
ORX-2-SPT-64L-1A-50K7	B3-U0-G3	B3-U0-G3	B3-U0-G3	B4-U0-G4
ORX-2-SPT-64L-1A-50K8	B3-U0-G3	B3-U0-G3	B3-U0-G3	B4-U0-G4

BUG RATING CHART - PERFORMANCE SILICONE MICRO OPTICS				
PART NUMBER	T4FTW	T4FTW CTG	T5W	T5W CTG
ORX-2-SPT-64L-35-27K7	B1-U0-G3	B1-U0-G2	B3-U0-G3	B3-U0-G3
ORX-2-SPT-64L-35-27K8	B1-U0-G3	B1-U0-G2	B3-U0-G3	B3-U0-G3
ORX-2-SPT-64L-35-30K7	B1-U0-G3	B1-U0-G3	B3-U0-G3	B3-U0-G3
ORX-2-SPT-64L-35-30K8	B1-U0-G3	B1-U0-G3	B3-U0-G3	B3-U0-G3
ORX-2-SPT-64L-35-35K8	B1-U0-G3	B1-U0-G3	B3-U0-G3	B3-U0-G3
ORX-2-SPT-64L-35-40K7	B2-U0-G3	B1-U0-G3	B3-U0-G3	B3-U0-G3
ORX-2-SPT-64L-35-40K8	B2-U0-G3	B1-U0-G3	B3-U0-G3	B3-U0-G3
ORX-2-SPT-64L-35-50K7	B2-U0-G3	B1-U0-G3	B3-U0-G3	B3-U0-G3
ORX-2-SPT-64L-35-50K8	B2-U0-G3	B1-U0-G3	B3-U0-G3	B3-U0-G3
ORX-2-SPT-64L-53-27K7	B2-U0-G3	B2-U0-G3	B4-U0-G4	B3-U0-G3
ORX-2-SPT-64L-53-27K8	B2-U0-G3	B2-U0-G3	B4-U0-G4	B3-U0-G3
ORX-2-SPT-64L-53-30K7	B2-U0-G3	B2-U0-G3	B4-U0-G4	B3-U0-G3
ORX-2-SPT-64L-53-30K8	B2-U0-G3	B2-U0-G3	B4-U0-G4	B3-U0-G3
ORX-2-SPT-64L-53-35K8	B2-U0-G3	B2-U0-G3	B4-U0-G4	B3-U0-G3
ORX-2-SPT-64L-53-40K7	B2-U0-G3	B2-U0-G3	B4-U0-G4	B3-U0-G3
ORX-2-SPT-64L-53-40K8	B2-U0-G3	B2-U0-G3	B4-U0-G4	B3-U0-G3
ORX-2-SPT-64L-53-50K7	B2-U0-G3	B2-U0-G3	B4-U0-G4	B3-U0-G3
ORX-2-SPT-64L-53-50K8	B2-U0-G3	B2-U0-G3	B4-U0-G4	B3-U0-G3
ORX-2-SPT-64L-7-27K7	B2-U0-G3	B2-U0-G3	B4-U0-G4	B3-U0-G3
ORX-2-SPT-64L-7-27K8	B2-U0-G3	B2-U0-G3	B4-U0-G4	B3-U0-G3
ORX-2-SPT-64L-7-30K7	B2-U0-G3	B2-U0-G3	B4-U0-G4	B3-U0-G3
ORX-2-SPT-64L-7-30K8	B2-U0-G3	B2-U0-G3	B4-U0-G4	B3-U0-G3
ORX-2-SPT-64L-7-35K8	B2-U0-G3	B2-U0-G3	B4-U0-G4	B3-U0-G3
ORX-2-SPT-64L-7-40K7	B2-U0-G3	B2-U0-G3	B4-U0-G4	B3-U0-G3
ORX-2-SPT-64L-7-40K8	B2-U0-G3	B2-U0-G3	B4-U0-G4	B3-U0-G3
ORX-2-SPT-64L-7-50K7	B2-U0-G3	B2-U0-G3	B4-U0-G4	B3-U0-G3
ORX-2-SPT-64L-7-50K8	B2-U0-G3	B2-U0-G3	B4-U0-G4	B3-U0-G3
ORX-2-SPT-64L-1A-27K7	B3-U0-G4	NA	B4-U0-G4	NA
ORX-2-SPT-64L-1A-27K8	B3-U0-G4	NA	B4-U0-G4	NA
ORX-2-SPT-64L-1A-30K7	B3-U0-G4	NA	B4-U0-G4	NA
ORX-2-SPT-64L-1A-30K8	B3-U0-G4	NA	B4-U0-G4	NA
ORX-2-SPT-64L-1A-35K8	B3-U0-G4	NA	B4-U0-G4	NA
ORX-2-SPT-64L-1A-40K7	B3-U0-G4	NA	B4-U0-G4	NA
ORX-2-SPT-64L-1A-40K8	B3-U0-G4	NA	B4-U0-G4	NA
ORX-2-SPT-64L-1A-50K7	B3-U0-G4	NA	B4-U0-G4	NA
ORX-2-SPT-64L-1A-50K8	B3-U0-G4	NA	B4-U0-G4	NA



701 Kingshill Place, Carson, CA 90746
Call Us Today (310) 341-2037

nlsighting.com

PRODUCT SPECIFICATIONS

DOUBLE ARM POST TOP - 16L

BUG RATING CHART - STANDARD SILICONE MICRO OPTICS - NO LENS				
PART NUMBER	T2	T3	T4	T5
ORX-2-DPT-16L-40-27K7	B1-U0-G1	B1-U0-G1	B1-U0-G1	B1-U0-G1
ORX-2-DPT-16L-40-27K8	B1-U0-G1	B1-U0-G1	B1-U0-G1	B1-U0-G1
ORX-2-DPT-16L-40-30K7	B1-U0-G1	B1-U0-G1	B1-U0-G1	B1-U0-G1
ORX-2-DPT-16L-40-30K8	B1-U0-G1	B1-U0-G1	B1-U0-G1	B1-U0-G1
ORX-2-DPT-16L-40-35K8	B1-U0-G1	B1-U0-G1	B1-U0-G1	B1-U0-G1
ORX-2-DPT-16L-40-40K7	B1-U0-G1	B1-U0-G1	B1-U0-G1	B2-U0-G1
ORX-2-DPT-16L-40-40K8	B1-U0-G1	B1-U0-G1	B1-U0-G1	B1-U0-G1
ORX-2-DPT-16L-40-50K7	B1-U0-G1	B1-U0-G1	B1-U0-G1	B2-U0-G1
ORX-2-DPT-16L-40-50K8	B1-U0-G1	B1-U0-G1	B1-U0-G1	B1-U0-G1
ORX-2-DPT-16L-53-27K7	B1-U0-G1	B1-U0-G1	B1-U0-G1	B2-U0-G1
ORX-2-DPT-16L-53-27K8	B1-U0-G1	B1-U0-G1	B1-U0-G1	B2-U0-G1
ORX-2-DPT-16L-53-30K7	B1-U0-G1	B1-U0-G1	B1-U0-G1	B2-U0-G1
ORX-2-DPT-16L-53-30K8	B1-U0-G1	B1-U0-G1	B1-U0-G1	B2-U0-G1
ORX-2-DPT-16L-53-35K8	B1-U0-G1	B1-U0-G1	B1-U0-G1	B2-U0-G1
ORX-2-DPT-16L-53-40K7	B1-U0-G1	B1-U0-G1	B1-U0-G1	B2-U0-G1
ORX-2-DPT-16L-53-40K8	B1-U0-G1	B1-U0-G1	B1-U0-G1	B2-U0-G1
ORX-2-DPT-16L-53-50K7	B1-U0-G1	B1-U0-G1	B1-U0-G1	B2-U0-G1
ORX-2-DPT-16L-53-50K8	B1-U0-G1	B1-U0-G1	B1-U0-G1	B2-U0-G1
ORX-2-DPT-16L-70-27K7	B1-U0-G1	B1-U0-G1	B1-U0-G1	B2-U0-G1
ORX-2-DPT-16L-70-27K8	B1-U0-G1	B1-U0-G1	B1-U0-G1	B2-U0-G1
ORX-2-DPT-16L-70-30K7	B1-U0-G1	B1-U0-G1	B1-U0-G1	B2-U0-G1
ORX-2-DPT-16L-70-30K8	B1-U0-G1	B1-U0-G1	B1-U0-G1	B2-U0-G1
ORX-2-DPT-16L-70-35K8	B1-U0-G1	B1-U0-G1	B1-U0-G1	B2-U0-G1
ORX-2-DPT-16L-70-40K7	B1-U0-G1	B1-U0-G1	B1-U0-G1	B2-U0-G1
ORX-2-DPT-16L-70-40K8	B1-U0-G1	B1-U0-G1	B1-U0-G1	B2-U0-G1
ORX-2-DPT-16L-70-50K7	B1-U0-G1	B1-U0-G1	B1-U0-G1	B2-U0-G1
ORX-2-DPT-16L-70-50K8	B1-U0-G1	B1-U0-G1	B1-U0-G1	B2-U0-G1
ORX-2-DPT-16L-1-27K7	B1-U0-G1	B1-U0-G1	B1-U0-G1	B3-U0-G1
ORX-2-DPT-16L-1-27K8	B1-U0-G1	B1-U0-G1	B1-U0-G1	B3-U0-G1
ORX-2-DPT-16L-1-30K7	B1-U0-G1	B1-U0-G1	B1-U0-G1	B3-U0-G1
ORX-2-DPT-16L-1-30K8	B1-U0-G1	B1-U0-G1	B1-U0-G1	B3-U0-G1
ORX-2-DPT-16L-1-35K8	B1-U0-G1	B1-U0-G1	B1-U0-G1	B3-U0-G1
ORX-2-DPT-16L-1-40K7	B1-U0-G1	B1-U0-G1	B1-U0-G1	B3-U0-G1
ORX-2-DPT-16L-1-40K8	B1-U0-G1	B1-U0-G1	B1-U0-G1	B3-U0-G1
ORX-2-DPT-16L-1-50K7	B1-U0-G1	B1-U0-G1	B1-U0-G1	B3-U0-G1
ORX-2-DPT-16L-1-50K8	B1-U0-G1	B1-U0-G1	B1-U0-G1	B3-U0-G1

LUMEN CHART - PERFORMANCE SILICONE MICRO OPTICS				
PART NUMBER	T4FTW	T4FTW CTG	T5W	T5W CTG
ORX-2-DPT-16L-40-27K7	B1-U0-G1	B0-U0-G1	B2-U0-G1	B2-U0-G1
ORX-2-DPT-16L-40-27K8	B1-U0-G1	B0-U0-G1	B2-U0-G1	B2-U0-G1
ORX-2-DPT-16L-40-30K7	B1-U0-G1	B1-U0-G1	B2-U0-G1	B2-U0-G1
ORX-2-DPT-16L-40-30K8	B1-U0-G1	B1-U0-G1	B2-U0-G1	B2-U0-G1
ORX-2-DPT-16L-40-35K8	B1-U0-G1	B1-U0-G1	B2-U0-G1	B2-U0-G1
ORX-2-DPT-16L-40-40K7	B1-U0-G1	B1-U0-G1	B2-U0-G1	B2-U0-G1
ORX-2-DPT-16L-40-40K8	B1-U0-G1	B1-U0-G1	B2-U0-G1	B2-U0-G1
ORX-2-DPT-16L-40-50K7	B1-U0-G1	B1-U0-G1	B2-U0-G1	B2-U0-G1
ORX-2-DPT-16L-40-50K8	B1-U0-G1	B1-U0-G1	B2-U0-G1	B2-U0-G1
ORX-2-DPT-16L-53-27K7	B1-U0-G1	B1-U0-G1	B2-U0-G1	B2-U0-G1
ORX-2-DPT-16L-53-27K8	B1-U0-G1	B1-U0-G1	B2-U0-G1	B2-U0-G1
ORX-2-DPT-16L-53-30K7	B1-U0-G2	B1-U0-G1	B2-U0-G1	B2-U0-G1
ORX-2-DPT-16L-53-30K8	B1-U0-G2	B1-U0-G1	B2-U0-G1	B2-U0-G1
ORX-2-DPT-16L-53-35K8	B1-U0-G2	B1-U0-G1	B2-U0-G1	B2-U0-G1
ORX-2-DPT-16L-53-40K7	B1-U0-G2	B1-U0-G1	B2-U0-G1	B2-U0-G1
ORX-2-DPT-16L-53-40K8	B1-U0-G2	B1-U0-G1	B2-U0-G1	B2-U0-G1
ORX-2-DPT-16L-53-50K7	B1-U0-G2	B1-U0-G1	B2-U0-G1	B2-U0-G1
ORX-2-DPT-16L-53-50K8	B1-U0-G2	B1-U0-G1	B2-U0-G1	B2-U0-G1
ORX-2-DPT-16L-70-27K7	B1-U0-G2	B1-U0-G1	B3-U0-G1	B2-U0-G1
ORX-2-DPT-16L-70-27K8	B1-U0-G2	B1-U0-G1	B3-U0-G1	B2-U0-G1
ORX-2-DPT-16L-70-30K7	B1-U0-G2	B1-U0-G2	B3-U0-G1	B2-U0-G1
ORX-2-DPT-16L-70-30K8	B1-U0-G2	B1-U0-G2	B3-U0-G1	B2-U0-G1
ORX-2-DPT-16L-70-35K8	B1-U0-G2	B1-U0-G2	B3-U0-G1	B2-U0-G1
ORX-2-DPT-16L-70-40K7	B1-U0-G2	B1-U0-G2	B3-U0-G1	B3-U0-G1
ORX-2-DPT-16L-70-40K8	B1-U0-G2	B1-U0-G2	B3-U0-G1	B3-U0-G1
ORX-2-DPT-16L-70-50K7	B1-U0-G2	B1-U0-G2	B3-U0-G1	B3-U0-G1
ORX-2-DPT-16L-70-50K8	B1-U0-G2	B1-U0-G2	B3-U0-G1	B3-U0-G1
ORX-2-DPT-16L-1-27K7	B1-U0-G2	NA	B3-U0-G1	NA
ORX-2-DPT-16L-1-27K8	B1-U0-G2	NA	B3-U0-G1	NA
ORX-2-DPT-16L-1-30K7	B1-U0-G2	NA	B3-U0-G2	NA
ORX-2-DPT-16L-1-30K8	B1-U0-G2	NA	B3-U0-G2	NA
ORX-2-DPT-16L-1-35K8	B1-U0-G2	NA	B3-U0-G2	NA
ORX-2-DPT-16L-1-40K7	B1-U0-G2	NA	B3-U0-G2	NA
ORX-2-DPT-16L-1-40K8	B1-U0-G2	NA	B3-U0-G2	NA
ORX-2-DPT-16L-1-50K7	B1-U0-G2	NA	B3-U0-G2	NA
ORX-2-DPT-16L-1-50K8	B1-U0-G2	NA	B3-U0-G2	NA



701 Kingshill Place, Carson, CA 90746
 Call Us Today (310) 341-2037

nlsighting.com

PRODUCT SPECIFICATIONS

DOUBLE ARM POST TOP - 64L

BUG RATING CHART - STANDARD SILICONE MICRO OPTICS				
PART NUMBER	T2	T3	T4	T5
ORX-2-DPT-64L-35-27K7	B1-U0-G1	B2-U0-G2	B2-U0-G2	B3-U0-G1
ORX-2-DPT-64L-35-27K8	B1-U0-G1	B2-U0-G2	B1-U0-G2	B3-U0-G1
ORX-2-DPT-64L-35-30K7	B1-U0-G2	B2-U0-G2	B2-U0-G2	B3-U0-G1
ORX-2-DPT-64L-35-30K8	B1-U0-G1	B2-U0-G2	B2-U0-G2	B3-U0-G1
ORX-2-DPT-64L-35-35K8	B1-U0-G1	B2-U0-G2	B2-U0-G2	B3-U0-G1
ORX-2-DPT-64L-35-40K7	B2-U0-G2	B2-U0-G2	B2-U0-G2	B3-U0-G2
ORX-2-DPT-64L-35-40K8	B1-U0-G2	B2-U0-G2	B2-U0-G2	B3-U0-G1
ORX-2-DPT-64L-35-50K7	B2-U0-G2	B2-U0-G2	B2-U0-G2	B3-U0-G2
ORX-2-DPT-64L-35-50K8	B1-U0-G2	B2-U0-G2	B2-U0-G2	B3-U0-G1
ORX-2-DPT-64L-53-27K7	B2-U0-G2	B2-U0-G2	B2-U0-G2	B3-U0-G2
ORX-2-DPT-64L-53-27K8	B2-U0-G2	B2-U0-G2	B2-U0-G2	B3-U0-G2
ORX-2-DPT-64L-53-30K7	B2-U0-G2	B2-U0-G2	B2-U0-G2	B4-U0-G2
ORX-2-DPT-64L-53-30K8	B2-U0-G2	B2-U0-G2	B2-U0-G2	B3-U0-G2
ORX-2-DPT-64L-53-35K8	B2-U0-G2	B2-U0-G2	B2-U0-G2	B3-U0-G2
ORX-2-DPT-64L-53-40K7	B2-U0-G2	B2-U0-G2	B2-U0-G2	B4-U0-G2
ORX-2-DPT-64L-53-40K8	B2-U0-G2	B2-U0-G2	B2-U0-G2	B4-U0-G2
ORX-2-DPT-64L-53-50K7	B2-U0-G2	B2-U0-G2	B2-U0-G2	B4-U0-G2
ORX-2-DPT-64L-53-50K8	B2-U0-G2	B2-U0-G2	B2-U0-G2	B4-U0-G2
ORX-2-DPT-64L-7-27K7	B2-U0-G2	B3-U0-G3	B3-U0-G3	B4-U0-G2
ORX-2-DPT-64L-7-27K8	B2-U0-G2	B3-U0-G3	B2-U0-G2	B4-U0-G2
ORX-2-DPT-64L-7-30K7	B2-U0-G2	B3-U0-G3	B3-U0-G3	B4-U0-G2
ORX-2-DPT-64L-7-30K8	B2-U0-G2	B3-U0-G3	B3-U0-G3	B4-U0-G2
ORX-2-DPT-64L-7-35K8	B2-U0-G2	B3-U0-G3	B3-U0-G3	B4-U0-G2
ORX-2-DPT-64L-7-40K7	B3-U0-G3	B3-U0-G3	B3-U0-G3	B4-U0-G2
ORX-2-DPT-64L-7-40K8	B2-U0-G2	B3-U0-G3	B3-U0-G3	B4-U0-G2
ORX-2-DPT-64L-7-50K7	B3-U0-G3	B3-U0-G3	B3-U0-G3	B4-U0-G2
ORX-2-DPT-64L-7-50K8	B2-U0-G2	B3-U0-G3	B3-U0-G3	B4-U0-G2
ORX-2-DPT-64L-1A-27K7	B3-U0-G3	B3-U0-G3	B3-U0-G3	B4-U0-G2
ORX-2-DPT-64L-1A-27K8	B3-U0-G3	B3-U0-G3	B3-U0-G3	B4-U0-G2
ORX-2-DPT-64L-1A-30K7	B3-U0-G3	B3-U0-G3	B3-U0-G3	B4-U0-G2
ORX-2-DPT-64L-1A-30K8	B3-U0-G3	B3-U0-G3	B3-U0-G3	B4-U0-G2
ORX-2-DPT-64L-1A-35K8	B3-U0-G3	B3-U0-G3	B3-U0-G3	B4-U0-G2
ORX-2-DPT-64L-1A-40K7	B3-U0-G3	B3-U0-G3	B3-U0-G3	B5-U0-G3
ORX-2-DPT-64L-1A-40K8	B3-U0-G3	B3-U0-G3	B3-U0-G3	B4-U0-G2
ORX-2-DPT-64L-1A-50K7	B3-U0-G3	B3-U0-G3	B3-U0-G3	B5-U0-G3
ORX-2-DPT-64L-1A-50K8	B3-U0-G3	B3-U0-G3	B3-U0-G3	B4-U0-G2

BUG RATING CHART - PERFORMANCE SILICONE MICRO OPTICS				
PART NUMBER	T4FTW	T4FTW CTG	T5W	T5W CTG
ORX-2-DPT-64L-35-27K7	B2-U0-G3	B1-U0-G2	B3-U0-G2	B3-U0-G2
ORX-2-DPT-64L-35-27K8	B2-U0-G3	B1-U0-G2	B3-U0-G2	B3-U0-G2
ORX-2-DPT-64L-35-30K7	B2-U0-G3	B1-U0-G2	B3-U0-G2	B3-U0-G2
ORX-2-DPT-64L-35-30K8	B2-U0-G3	B1-U0-G2	B3-U0-G2	B3-U0-G2
ORX-2-DPT-64L-35-35K8	B2-U0-G3	B1-U0-G2	B3-U0-G2	B3-U0-G2
ORX-2-DPT-64L-35-40K7	B2-U0-G3	B2-U0-G3	B3-U0-G2	B3-U0-G2
ORX-2-DPT-64L-35-40K8	B2-U0-G3	B2-U0-G3	B3-U0-G2	B3-U0-G2
ORX-2-DPT-64L-35-50K7	B2-U0-G3	B2-U0-G3	B3-U0-G2	B3-U0-G2
ORX-2-DPT-64L-35-50K8	B2-U0-G3	B2-U0-G3	B3-U0-G2	B3-U0-G2
ORX-2-DPT-64L-53-27K7	B2-U0-G3	B2-U0-G3	B4-U0-G2	B4-U0-G2
ORX-2-DPT-64L-53-27K8	B2-U0-G3	B2-U0-G3	B4-U0-G2	B4-U0-G2
ORX-2-DPT-64L-53-30K7	B2-U0-G3	B2-U0-G3	B4-U0-G3	B4-U0-G2
ORX-2-DPT-64L-53-30K8	B2-U0-G3	B2-U0-G3	B4-U0-G3	B4-U0-G2
ORX-2-DPT-64L-53-35K8	B2-U0-G3	B2-U0-G3	B4-U0-G3	B4-U0-G2
ORX-2-DPT-64L-53-40K7	B2-U0-G3	B2-U0-G3	B4-U0-G3	B4-U0-G2
ORX-2-DPT-64L-53-40K8	B2-U0-G3	B2-U0-G3	B4-U0-G3	B4-U0-G2
ORX-2-DPT-64L-53-50K7	B2-U0-G3	B2-U0-G3	B4-U0-G3	B4-U0-G2
ORX-2-DPT-64L-53-50K8	B2-U0-G3	B2-U0-G3	B4-U0-G3	B4-U0-G2
ORX-2-DPT-64L-7-27K7	B2-U0-G3	B2-U0-G3	B4-U0-G3	B4-U0-G3
ORX-2-DPT-64L-7-27K8	B2-U0-G3	B2-U0-G3	B4-U0-G3	B4-U0-G3
ORX-2-DPT-64L-7-30K7	B2-U0-G3	B2-U0-G3	B4-U0-G3	B4-U0-G3
ORX-2-DPT-64L-7-30K8	B2-U0-G3	B2-U0-G3	B4-U0-G3	B4-U0-G3
ORX-2-DPT-64L-7-35K8	B2-U0-G3	B2-U0-G3	B4-U0-G3	B4-U0-G3
ORX-2-DPT-64L-7-40K7	B2-U0-G3	B2-U0-G3	B4-U0-G3	B4-U0-G3
ORX-2-DPT-64L-7-40K8	B2-U0-G3	B2-U0-G3	B4-U0-G3	B4-U0-G3
ORX-2-DPT-64L-7-50K7	B2-U0-G3	B2-U0-G3	B4-U0-G3	B4-U0-G3
ORX-2-DPT-64L-7-50K8	B2-U0-G3	B2-U0-G3	B4-U0-G3	B4-U0-G3
ORX-2-DPT-64L-1A-27K7	B3-U0-G4	NA	B5-U0-G3	NA
ORX-2-DPT-64L-1A-27K8	B3-U0-G4	NA	B5-U0-G3	NA
ORX-2-DPT-64L-1A-30K7	B3-U0-G4	NA	B5-U0-G3	NA
ORX-2-DPT-64L-1A-30K8	B3-U0-G4	NA	B5-U0-G3	NA
ORX-2-DPT-64L-1A-35K8	B3-U0-G4	NA	B5-U0-G3	NA
ORX-2-DPT-64L-1A-40K7	B3-U0-G4	NA	B5-U0-G3	NA
ORX-2-DPT-64L-1A-40K8	B3-U0-G4	NA	B5-U0-G3	NA
ORX-2-DPT-64L-1A-50K7	B3-U0-G4	NA	B5-U0-G3	NA
ORX-2-DPT-64L-1A-50K8	B3-U0-G4	NA	B5-U0-G3	NA

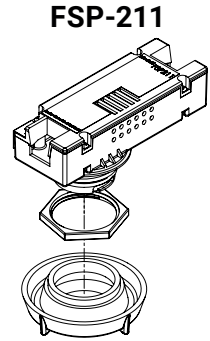
PRODUCT SPECIFICATIONS

CONTROL OPTIONS

- DIMMING CONTROL (FSP)—Passive infrared (PIR) sensor providing multi-level control based on motion/daylight contribution
- All control parameters adjustable via wireless configuration remote storing and transmitting sensor profiles.
- FSP-8 mounting heights 8 feet and below
- FSP-20 mounting heights 9-20 feet.
- FSP-40 mounting heights 21-40 feet.
- Includes 5 dimming event cycles, 0-10V dimming with motion sensing, re-programmable in the field.

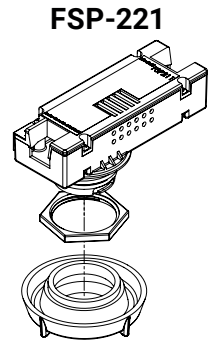
FSP-211 WITH MOTION SENSOR (FSP-XX)

- FSP-211(FSP-X)—Passive infrared (PIR) sensor providing multi-level control based on motion/daylight contribution.
- 120/277VAC, 230-240VAC
- All control parameters adjustable via wireless configuration remote storing and transmitting sensor profiles.
- FSP-8 mounting heights 8 feet and below
- FSP-20 mounting heights 9-20 feet.
- FSP-40 mounting heights 21-40 feet.
- Includes 5 dimming event cycles, 0-10V dimming with motion sensing, re-programmable in the field.

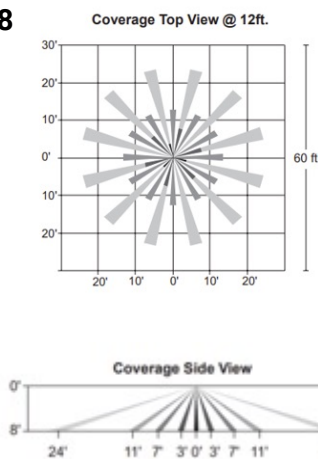


FSP-221 WITH MOTION SENSOR (FSP-HV-XX)

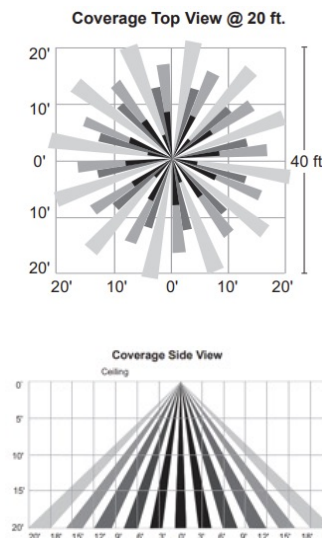
- FSP-221 (FSP-HV-X)—Passive infrared (PIR) sensor providing multi-level control based on motion/daylight contribution.
- 100-347VAC 208/230/480VAC
- All control parameters adjustable via wireless configuration remote storing and transmitting sensor profiles.
- FSP-8 mounting heights 8 feet and below
- FSP-20 mounting heights 9-20 feet.
- FSP-40 mounting heights 21-40 feet.
- Includes 5 dimming event cycles, 0-10V dimming with motion sensing, re-programmable in the field.



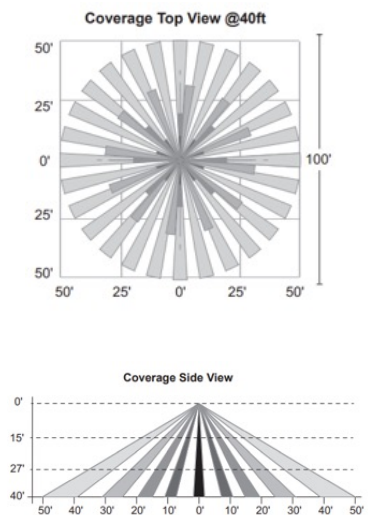
FSP-8



FSP-20



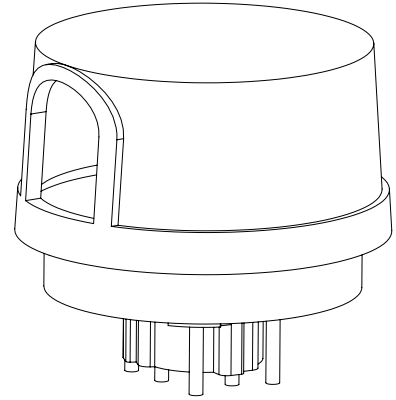
FSP-40



PRODUCT SPECIFICATIONS

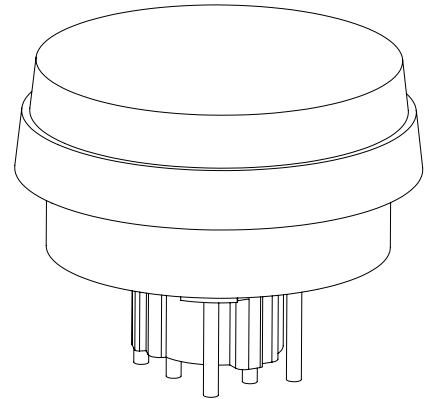
PHOTOCELL + RECEPTACLE (PCR)

7-Pin Receptacle and Electronic Twist Lock Photocell for dusk to dawn operation.



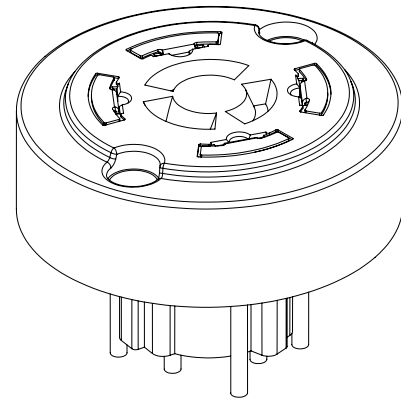
RECEPTACLE + SHORTING CAP (PER)

7-Pin Receptacle and Shorting Cap.



NEMA 7-PIN RECEPTACLE (PE7)

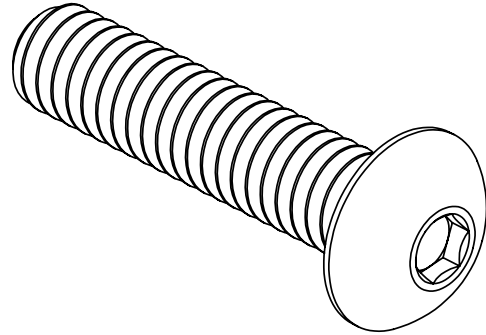
An ANSI C136.41-2013 receptacle provides electrical and mechanical interconnection between photo control cell and luminaire. Dimming receptacle available two or four dimming contacts supports 0-10 VDC dimming methods or Digital Addressable Lighting Interface (DALI), providing reliable power interconnect.



PRODUCT SPECIFICATIONS

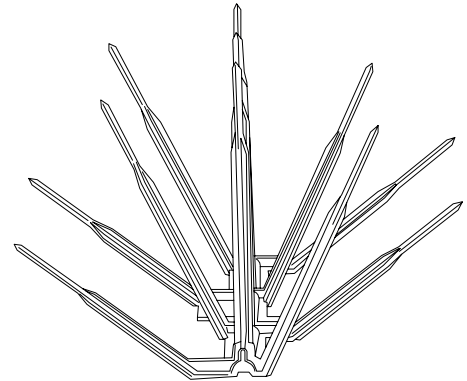
TAMPER PROOF HARDWARE

316 Stainless Steel Button Head Hex Drive Screws. Provided to protect the optical assembly and the driver compartment for vandal resistance.



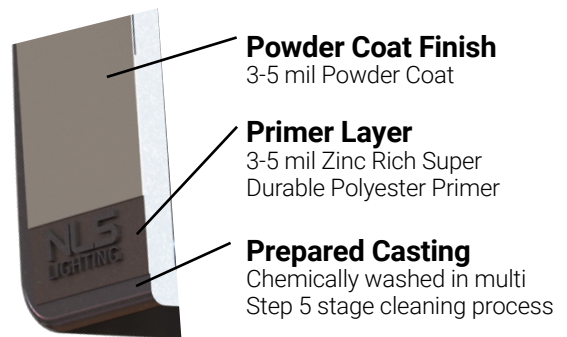
BIRD SPIKES (BS)

Bird Deterrent offers effective and humane deterrent for larger bird species and provides cost-effective long-term solution to nuisance bird infestations and protect your property.



MARINE GRADE FINISH (MGF)

The (MGF) is a multi step process. Chemically washed in a 5 stage cleaning system. Pre-baked. Powder coated 3-5 mils of Zinc Rich Super Durable Polyester Primer. Oven Baked. Finished Powder Coating of Super Durable Polyester Powder Coat 3-5 mil thickness.



PRODUCT SPECIFICATIONS

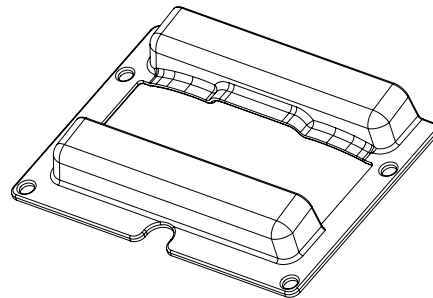
BLACK OPTIC FRAME

Optional Black Optic Frame (includes black hardware) Standard Optic Frame is white.



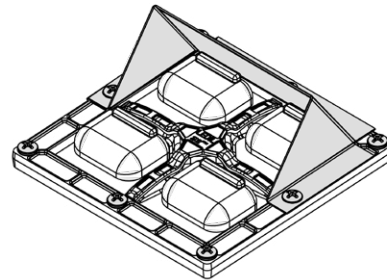
HOUSE SIDE SHIELD (HSS)

House Side Shield (HSS) is designed for stringent property line cutoff. Injection Molded Glass Filled Nylon, standard finish is black.



AUTOMOTIVE HOUSE SIDE SHIELD

Automotive House Side Shield (AHS) is a single-sided shield allowing partial cut-off on either side or front of luminaire.

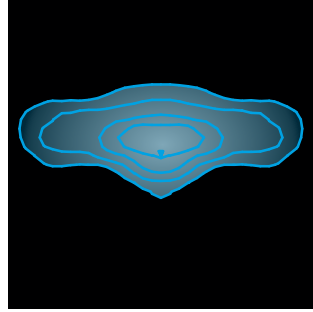
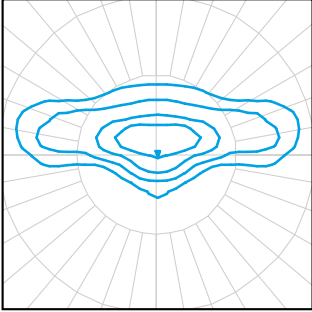


SENSOR SPECIFICATION



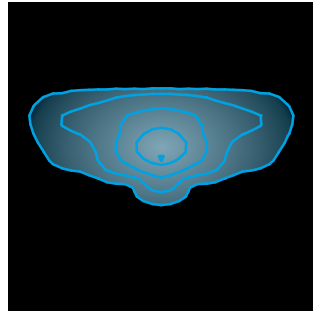
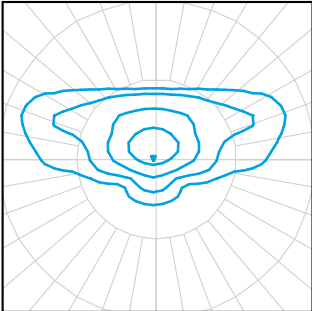
PRODUCT SPECIFICATIONS

IES DISTRIBUTIONS



T2 OPTIC

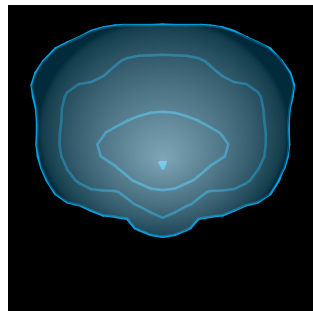
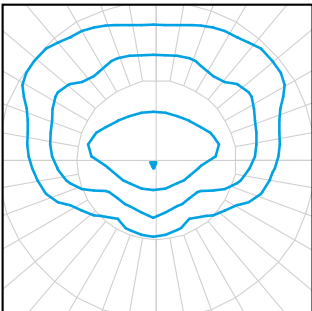
The Type II distribution is used for narrow pathways and trails, narrow entrances of shopping centers, parking lots and office complex's.



T3 OPTIC

The type III distribution is meant for roadway lighting, general parking areas and other areas where a larger area of lighting is required. Type III lighting needs to be placed to the side of the area, allowing the light to project outward and fill the area. This produces a filling light flow.

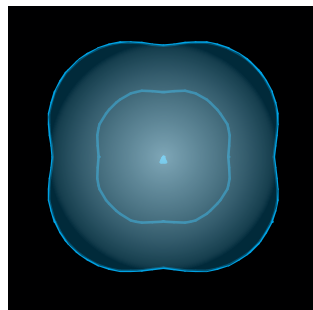
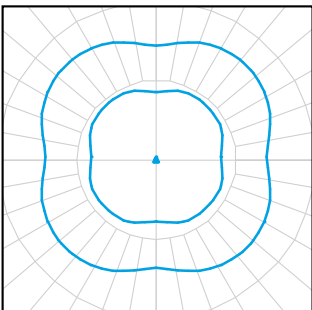
Type III light distributions have a preferred lateral width of 40 degrees. This distribution is intended for luminaires mounted at or near the side of medium width roadways or areas, where the width of the roadway or area does not exceed 2.75 times the mounting height.



T4 OPTIC

The type IV distribution produces a semicircular light meant for mounting on the sides of buildings and walls. It's best for illuminating the perimeter of parking areas and businesses. The intensity of the Type IV lighting has the same intensity at angles from 90 degrees to 270 degrees.

Type IV light distributions have a preferred lateral width of 60 degrees. This distribution is intended for side-of-road mounting and is generally used on wide roadways where the roadway width does not exceed 3.7 times the mounting height.



T5 OPTIC - SYMMETRICAL

Type V produces a symmetrical distribution that has the same intensity at all angles. This distribution has a uniform symmetry of candlepower that is essentially the same at all lateral angles. It is meant for large, commercial parking lot lighting as well as areas where sufficient, evenly distributed light is necessary.

SILICONE OPTICS

NLS Lighting Silicone Micro Optical System technology takes quality and performance to the highest level. Vandal resistant, superior clarity—Micro Optics have become the best and lasting solution in the industry.

BENEFITS

- Produces superior 96% clarity
- Heat resistant to 150° C, 50% higher than acrylic
- Ecologically friendly—no glare
- Vandal-resistant
- Does not brittle, crack, or yellow over time

