

LED WATTAGE CHART

Drive Current	16L	32L	64L	64L VCS
350 milliamps	-	34W (3439-4294 Lumens)	68W (6316-7584 Lumens)	68W (4830-5643 Lumens)
400 milliamps	18W (1579-1896)	-	-	-
530 milliamps	26W (2391-2871)	52W (5208-6502 Lumens)	103W (8955-11485 Lumens)	103W (7315-8545 Lumens)
700 milliamps	34W (3158-3792)	68W (6879-8588 Lumens)	137W (11827-15168 Lumens)	137W (9046-12286 Lumens)
1000 milliamps	-	-	200W (18118-21669 Lumens)	200W (12992-16123 Lumens)
1050 milliamps	51W (4737-5688)	102W (10318-12882 Lumens)	-	-
1250 milliamps	-	125W (10560 - 13543 Lumens)	-	-
1400 milliamps	-	140W (11827-15168 Lumens)	-	-

FORM

- Elegant Die-Cast Aluminum Housing
- Corrosion Resistant Stainless Steel External Hardware
- Sleek, Low Profile Housing
- Spec Grade Performance
- Engineered For Optimum Thermal Management

FUNCTION

- Optics Distributions TE, T3DL, T4M, T5, T4FTW, T5W, VCS & VCA
- 0-10V Dimming Drivers
THD @ Max Load < 15%
Power factor @ Max Load < 0.95
- Amber, 2700K, 3000K, 3500K, 4000K, or 5000K
- 16L, 32L, or 64L LED Configuration
- CRI 70, 80, or 90
- 5 Mil Powder Coat
- Up to 21,669 Lumens

RELIABILITY

- Silicone Micro Optics
- 5 Year Standard Warranty
- IP67 Optics
- IP66 Fixture
- UL924 Emergency Relay

BUY AMERICAN

To ensure the latest BAA/TAA/BABA Standards are being met, please select BAA, TAA, or BABA in the options section. Please contact the factory before placing an order for any NLS products requesting BAA (Buy American Act), TAA (Trade Agreement Act), or BABA (Build America, Buy America).



Project Name:

Type:

ORGANIX - 2 CEILING MOUNT ORDERING GUIDE

Cat#	Light Dist.	# of LEDs	Miliamps	Kelvin	Volts
Organix - 2 Ceiling Mount (ORX-2)	Concentrated Entry (TE)	16 (16L)	350 (35)	Amber 585-600nM (AMBER) 5, 13, 16, 20	120-277 (UNV)
	Type 3 Drive Lane (T3DL)	32 (32L)	400 (40) ¹¹	Amber LED Phosphor Converted (AMBER/PC) 13, 16, 20	347-480 (HV)
	Type 4 Medium (T4M)	64 (64L) ¹⁷	530 (53)	2700K, 70 CRI (27K7) ²⁰	
	Type 4 Forward Throw Wide (T4FTW)		700 (7)	2700K, 80 CRI (27K8) ^{1, 20}	
	Type 5 Optimized (T5)		1000 (1A)	3000K, 70 CRI (30K7) ²⁰	
	Type 5 Wide (T5W)		1050 (1) ⁸	3000K, 80 CRI (30K8) ^{1, 20}	
	Back Lit with Lens		1250 (12) ¹⁵	3500K, 80 CRI (35K8)	
	Visual Comfort Symmetric (VCS) 7, 10, 14		1400 (14) ¹⁵	4000K, 70 CRI (40K7)	
	Visual Comfort Assymmetric (VCA) 7, 10, 14			4000K, 80 CRI (40K8) ¹	
				5000K, 70 CRI (50K7)	
				5000K, 80 CRI (50K8) ¹	

Mounting	Color	Controls Options	Options	Lens Options
----------	-------	------------------	---------	--------------

Ceiling Mount (CM)	Bronze Textured (BRZ)	FSP-211 with Motion Sensor/Photocell 9'-20' Heights (FSP211-20) 2, 18	Marine Grade Finish (MGF)	Diffused Polycarbonate Visual Comfort Lens (DPCL) 14, 22, 23
Pendant Mount 12" Length (PM12)	White Textured (WHT)	21'-40' Heights (FSP211-40) 2, 18	Bird Spikes (BS)	Clear Tempered Glass Lens (CTG) 14, 22, 23
Pendant Mount 24" Length (PM24)	Smooth White Gloss (SWT)	FSP-221 with Motion Sensor/Photocell 9'-20' Heights (FSP221-20) 19	House Side Shield (HSS) 9	HAL Lens (HAL) 3, 21, 22, 23
Pendant Mount 36" Length (PM36)	Silver Metallic (SVR)	21'-40' Heights (FSP221-40) 19	Single Fuse (SF)	
Pendant Mount Custom Length (PMX)	Black Textured (BLK)	Custom Controls Integration (CCI) 4	Double Fuse (DF)	
	Smooth Black Gloss (SBK)	FSP Remote (FSIR) 12	Up Light (UPL) 17	
	Graphite Textured (GPH)		Tamper Proof Hardware (TPH) 3	
	Grey Textured (GRY)		Bird Shroud (BSC)	
	Green Textured (GRN)		5 Conductor Dimming Leads (DL)	
	Hunter Green Textured (HGN)		Black Optic Frame (BOF) 3	
	Custom (CS)		Buy American Act (BAA) 6	
			Trade Agreement Act (TAA) 6	
			Build America Buy American (BABA) 6	
			Wire Guard (WG)	
			Emergency Battery 4W (EM4)	
			Emergency Battery 8W (EM8)	

NOTES:

- Consult Factory for Lead Time. Consult Factory for 90 CRI Requests
- Universal Voltage 120-277
- Consult Factory
- Please contact Factory for Custom Control Integration requests (nLight, NX, WaveLinX, Crestron, DMX/RDM, Synapse, Casambi, Dali II, Avi-On, or other control systems)
- Turtle Safe
- Consult factory for all BAA/TAA/BABA requests
- Backlit with Diffused Lens 64L Only
- Not Available in 64L
- Not Available with Lens Options (VCA, VCS, DPCL, CTG)
- Not Available with Motion Sensors
- 16L Only
- Projects with sensors require Qty. 1 FSIR per project
- Not Available above 530mA
- DPCL & CTG lenses are for use with TE, T3LD, T4M, or T5. VCA & VCS comes with a diffused lens. Product with Lens have a 700 max drive current
- Available only in 32L
- Consult Factory for Lead Time
- Main light drive current 800mA max, up light drive current 200mA max. For 64L Only.
- FSP-211, 120V/277VAC (800W/1200W Max), 230-240VAC (300W Max), 50/60Hz Single Phase. Field/Site line voltage must be disclosed for project validation.
- FSP-221, 100-347VAC 50/60Hz Single Phase, 208/230/480VAC 50/60Hz Phase-to-Phase. 120VAC (800W Max), 230-240VAC (300W Max), 277/347/480VAC (1200W Max). Field/Site line voltage must be disclosed for project validation.
- 3000K or lower, with fixed mounting options only, must be selected to meet International Dark-Sky Association certification.
- HAL Lens: Yellow Polycarbonate Lens - less than 2% Blue Light Content
- Motion Sensors are sidecar mounted for lensed fixtures
- 700mA Max For Lens Options



701 Kingshill Place, Carson, CA 90746
Call Us Today (310) 341-2037

nlsighting.com

PRODUCT SPECIFICATIONS

ELECTRICAL

- 120-277 Volts (UNV) or 347-480 Volts (HV)
- 0-10V dimming driver
- Driver power factor at maximum load is $\geq .95$, THD maximum load is 15%
- LED Drivers Ambient Temp. Min is -40°C and Ambient Temp. Max ranges from 50°C to 55°C and, in some cases, even higher. Consult the factory for revalidation by providing the fixture catalog string before quoting and specifying it.
- All drivers, controls, and sensors housed in enclosed IP65 compartment
- CRI 70, 80 or 90
- Color temperatures: Amber, 2700K, 3000K, 3500K, 4000K, 5000K
- Surge Protection: 20KVA supplied as standard.

CONSTRUCTION

- Die Cast Aluminum
- Internal cooling fins
- Corrosion resistant external hardware
- One-piece silicone gasket ensures IP66 seal for electronics compartment

OPTICS

Silicone optics high thermal stability and light output provide higher powered LEDs with minimized lumen depreciation. UV stability with scratch resistance increases exterior application durability. Silicone optics do not yellow, crack or brittle over time.

CONTROL OPTIONS

- **FSP-211 w/Motion Sensor/Photocell (120/277VAC, 230-240VAC)**
(FSP-X) - Passive infrared (PIR) sensor providing multi-level control based on motion/daylight contribution.
- **FSP-221 w/Motion Sensor/Photocell (100-347VAC, 208/230/480VAC)**
(FSP-HV-X) - Passive infrared (PIR) sensor providing multi-level control based on motion/daylight contribution.
 - All control parameters adjustable via wireless configuration remote storing and transmitting sensor profiles.
 - Party Setting Available (10% output) Consult Factory
 - FSP-8 mounting heights 8 feet and below
 - FSP-20 mounting heights 9-20 feet.
 - FSP-40 mounting heights 21-40 feet.
 - Includes 5 dimming event cycles, 0-10V dimming with motion sensing, re-programmable in the field. Programmable remote must be purchased separately.
 - FSIR-100 commissioning remote is required to change sensor settings. Please contact factory for ordering.
- Controls Agnostic: Please contact factory for your preferred controls option. (nLight, NX, WaveLinx, Crestron, DMX/RDM, Synapse, Casambi, DALI II, Avi-On, or other control systems)

OPTIONS

- BIRD SPIKES (BS) - Offer an effective and humane deterrent for larger bird species and provide a cost-effective long-term solution to nuisance bird infestations and to protect your property.
- MARINE GRADE FINISH (MGF) - A multi-step process creating a protective finishing coat against harsh environments. Chemically washed in a 5-stage cleaning system. Pre-baked, Powder coated 3-5 mils of Zinc Rich Super Durable Polyester Primer. Oven Baked. Finished Powder Coating of Super Durable Polyester Powder Coat 3-5 mil thickness.
- House Side Shield (HSS) is designed for full property line cutoff.
- Wire Guard (WG)
- Tamper Proof Hardware (TPH)
- 5 Conductor Dimming Leads (DL)
- BLACK OPTIC FRAME (BOF) - Optional black optic frame. (includes black hardware) Standard is white
- Up Light (UPL)

FINISH

- 3-5 mils electrostatic powder coat.
- NLS Lighting standard high-quality finishes prevent corrosion, and protects against extreme environmental conditions.
- 10 Standard Finishes, Custom Finish and Marine Grade Finish Available

WARRANTY

- Five-year limited warranty for drivers and LEDs.
- Consult Factory for 7 or 10 year warranty

LISTINGS

- UL Listed in compliance with UL 1598, the Standard for Safety of Luminaires, including the applicable wet location requirements
- Compliant with UL 8750 LED driver design and test safety standards
- CSA C22.2 No. 250.0
- IP66 Rated Fixture
- IP67 Rated Optics
- IK10 Rated
- Dark Sky Certified, 3000K or lower, with fixed mounting options only, must be selected to meet International Dark-Sky Association certification.

BUY AMERICAN OPTION

While all of the NLS Lighting products listed in this document qualify for the Buy America(n) Act of 1933, we reserve the right to change our listings without notice.

The information provided above is for general informational purposes only. We encourage you to consult legal professionals for advice particular to your projects concerning BAA, TAA, BABA or Buy America.

Additional NLS Products that meet BAA, TAA standards can be found at the following link:

<https://nslighting.com/buy-american/>



3000K or lower, with fixed mounting options only, must be selected to meet International Dark-Sky Association certification.

The information and specifications on this document are subject to change without any notification. All values are design, nominal, typical or prorated values when measured under internal and external laboratory conditions.

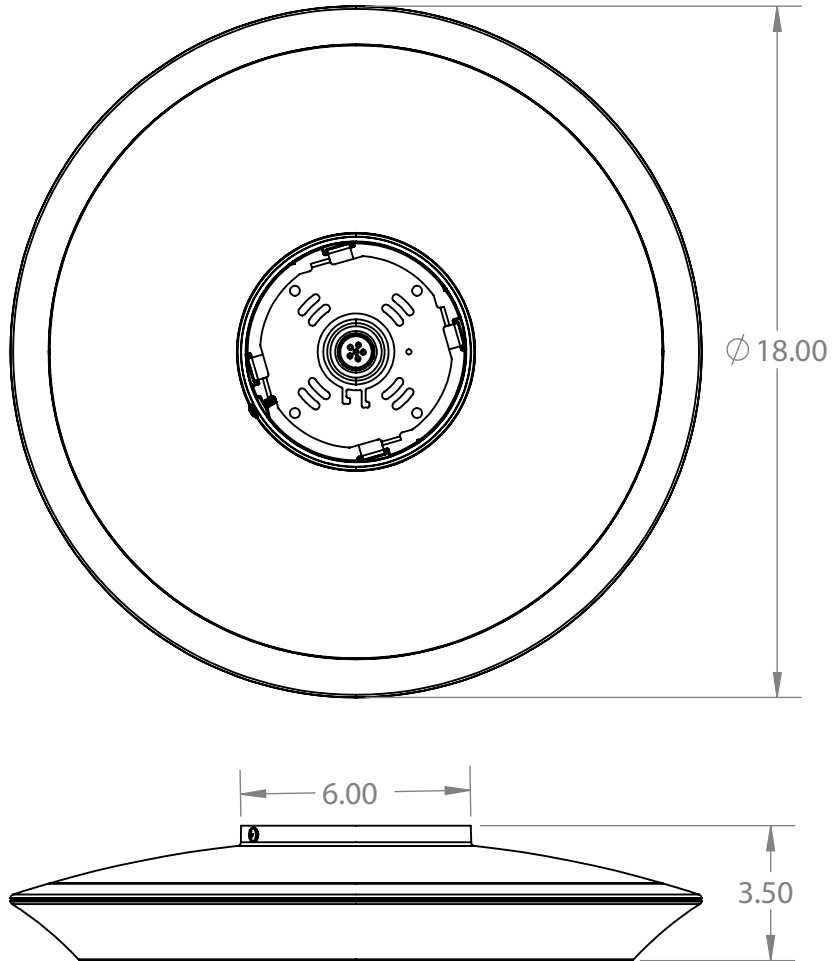


701 Kingshill Place, Carson, CA 90746
Call Us Today (310) 341-2037

nslighting.com

PRODUCT SPECIFICATIONS

MODEL	WIDTH	HEIGHT	WEIGHT
ORX-2-CM	18"	3.5"	15 LBS

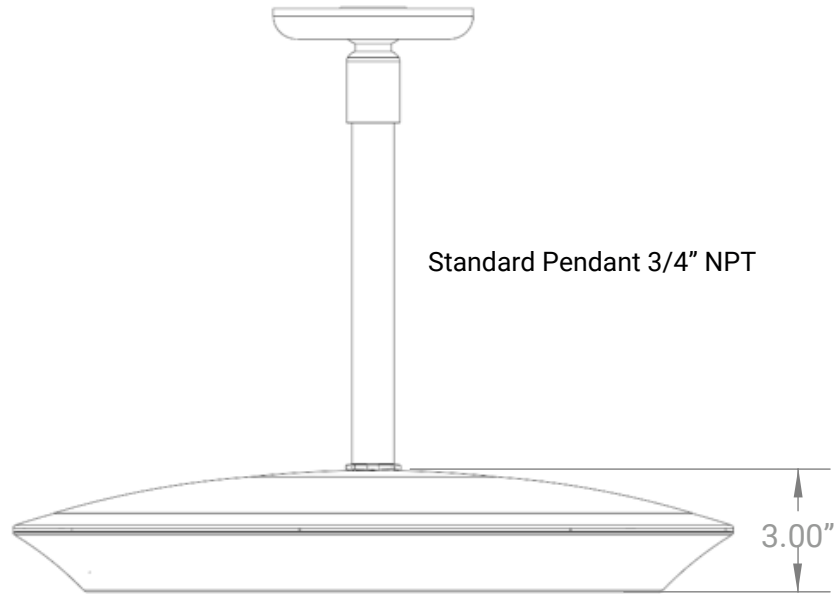


SCAN FOR INSTALLATION INSTRUCTIONS

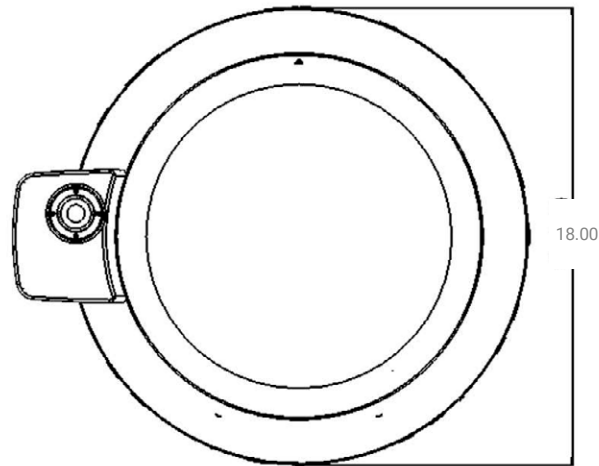
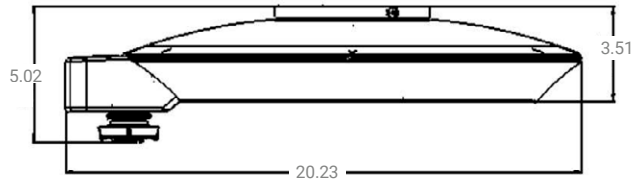


PRODUCT SPECIFICATIONS

MODEL	WIDTH	HEIGHT	WEIGHT
ORX-2-CM	18"	3.0"	16 LBS



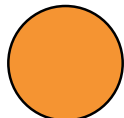
ORX-2 SENSOR SIDECAR



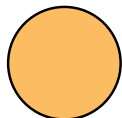
For all ORX-2 Fixtures with lens option Sensors are mounted inside Sensor Sidecar

PRODUCT SPECIFICATIONS

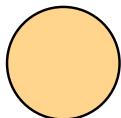
LED KELVIN RANGE



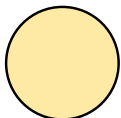
AMBER
585-600 nm



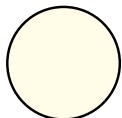
2700K 70 CRI



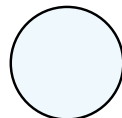
3000K 70 CRI



3500K 80 CRI



4000K 70 CRI



5000K 70 CRI

Color	Dominant or Peak Wavelength Range (nm)	
	Minimum	Maximum
Amber	585	600

Lumen Maintenance Data							
Ambient Temperature	Drive Current	L90 Hours*	L70 Hours**	30,000 Hours*	50,000 Hours*	60,000 Hours*	100,000 Hours**
25°C	Up to 700mA	58,000	173,000	95.7%	91.6%	89.6%	82.1%
	1050mA	48,000	143,000	94.3%	89.5%	87.2%	78.5%

*Reported extrapolations per IESNA TM-21 **Projected extrapolations per IESNA TM-21

LUMEN CHARTS

LUMEN CHART AMBER WITH T3					
PART NUMBER	T3	LPW	WATTAGE	BUG	MULTIPLIER FOR 50K7 GOING TO AMBER
ORX-2-CM-16L-40-AMBER	893	53	17	B0-U0-G0	0.4211
ORX-2-CM-16L-53-AMBER	1136	49	23	B0-U0-G0	0.4043
ORX-2-CM-32L-35-AMBER	1563	54	29	B1-U0-G1	0.4211
ORX-2-CM-32L-53-AMBER	1905	44	43	B1-U0-G1	0.3390
ORX-2-CM-64L-35-AMBER	3102	57	54	B1-U0-G1	0.4180
ORX-2-CM-64L-53-AMBER	4037	49	83	B1-U0-G1	0.3592

LUMEN CHART AMBER WITH T2					
PART NUMBER	T2	LPW	WATTAGE	BUG	MULTIPLIER FOR 50K7 GOING TO AMBER
ORX-2-CM-16L-40-AMBER	906	53	17	B0-U0-G0	0.4211
ORX-2-CM-16L-53-AMBER	1152	50	23	B0-U0-G0	0.4043
ORX-2-CM-32L-35-AMBER	1585	55	29	B0-U0-G0	0.4211
ORX-2-CM-32L-53-AMBER	1933	45	43	B1-U0-G1	0.3390
ORX-2-CM-64L-35-AMBER	3148	58	54	B1-U0-G1	0.4180
ORX-2-CM-64L-53-AMBER	4096	49	83	B1-U0-G1	0.3592

LUMEN CHART AMBER WITH T4FTW					
PART NUMBER	T4FTW	LPW	WATTAGE	BUG	MULTIPLIER FOR 50K7 GOING TO AMBER
ORX-2-CM-16L-40-AMBER	1043	61	17	B0-U0-G1	0.4211
ORX-2-CM-16L-53-AMBER	1234	54	23	B0-U0-G1	0.4043
ORX-2-CM-32L-35-AMBER	1818	63	29	B1-U0-G1	0.4211
ORX-2-CM-32L-53-AMBER	2062	48	43	B1-U0-G1	0.3390
ORX-2-CM-64L-35-AMBER	3610	67	54	B1-U0-G1	0.4180
ORX-2-CM-64L-53-AMBER	4329	52	83	B1-U0-G2	0.3592

LUMEN CHART AMBER WITH T5W					
PART NUMBER	T5W	LPW	WATTAGE	BUG	MULTIPLIER FOR 50K7 GOING TO AMBER
ORX-2-CM-16L-40-AMBER	1088	64	17	B1-U0-G1	0.4211
ORX-2-CM-16L-53-AMBER	1449	63	23	B1-U0-G1	0.4043
ORX-2-CM-32L-35-AMBER	1790	62	29	B2-U0-G1	0.4211
ORX-2-CM-32L-53-AMBER	2186	51	43	B2-U0-G1	0.3390
ORX-2-CM-64L-35-AMBER	3923	73	54	B3-U0-G1	0.4180
ORX-2-CM-64L-53-AMBER	5069	61	83	B3-U0-G2	0.3592

LUMEN CHART AMBER WITH T4FTW-CTG					
PART NUMBER	T4FTW-CTG	LPW	WATTAGE	BUG	MULTIPLIER FOR 50K7 GOING TO AMBER
ORX-2-CM-16L-40-AMBER	1088	64	17	B1-U0-G1	0.4211
ORX-2-CM-16L-53-AMBER	1449	63	23	B1-U0-G1	0.4043
ORX-2-CM-32L-35-AMBER	1790	62	29	B2-U0-G1	0.4211
ORX-2-CM-32L-53-AMBER	2186	51	43	B2-U0-G1	0.3390
ORX-2-CM-64L-35-AMBER	3923	73	54	B3-U0-G1	0.4180
ORX-2-CM-64L-53-AMBER	5069	61	83	B3-U0-G1	0.3592

LUMEN CHART AMBER WITH T5W-DPCL					
PART NUMBER	T5W-DPCL	LPW	WATTAGE	BUG	MULTIPLIER FOR 50K7 GOING TO AMBER
ORX-2-CM-16L-40-AMBER	1088	64	17	B1-U0-G1	0.4211
ORX-2-CM-16L-53-AMBER	1449	63	23	B1-U0-G1	0.4043
ORX-2-CM-32L-35-AMBER	1790	62	29	B2-U0-G1	0.4211
ORX-2-CM-32L-53-AMBER	2186	51	43	B2-U0-G1	0.3390
ORX-2-CM-64L-35-AMBER	3923	73	54	B3-U0-G1	0.4180
ORX-2-CM-64L-53-AMBER	5069	61	83	B3-U0-G1	0.3592



701 Kingshill Place, Carson, CA 90746
Call Us Today (310) 341-2037

nlsighting.com

PRODUCT SPECIFICATIONS

LUMEN CHARTS

ORX-2-CM-16L NO LENS

LUMEN CHART - STANDARD SILICONE MICRO OPTICS - NO LENS									
PART NUMBER	T2	LPW	T3	LPW	T4	LPW	T5	LPW	WATTAGE
ORX-2-CM-16L-40-27K7	1841	88	1815	86	1804	86	1855	88	21
ORX-2-CM-16L-40-27K8	1724	82	1700	81	1689	80	1737	83	21
ORX-2-CM-16L-40-30K7	1991	95	1963	93	1951	93	2005	95	21
ORX-2-CM-16L-40-30K8	1849	88	1823	87	1812	86	1862	89	21
ORX-2-CM-16L-40-35K8	1849	88	1823	87	1812	86	1862	89	21
ORX-2-CM-16L-40-40K7	2151	102	2121	101	2108	100	2167	103	21
ORX-2-CM-16L-40-40K8	1991	95	1963	93	1951	93	2006	96	21
ORX-2-CM-16L-40-50K7	1991	95	2121	101	2108	100	2167	103	21
ORX-2-CM-16L-40-50K8	1843	88	1963	93	1951	93	2006	96	21
ORX-2-CM-16L-53-27K7	2440	94	2405	93	2391	92	2458	95	26
ORX-2-CM-16L-53-27K8	2285	88	2252	87	2239	86	2302	89	26
ORX-2-CM-16L-53-30K7	2285	88	2601	100	2585	99	2657	102	26
ORX-2-CM-16L-53-30K8	2122	82	2415	93	2401	92	2468	95	26
ORX-2-CM-16L-53-35K8	2122	82	2415	93	2401	92	2468	95	26
ORX-2-CM-16L-53-40K7	2850	110	2810	108	2793	107	2871	110	26
ORX-2-CM-16L-53-40K8	2638	101	2601	100	2585	99	2657	102	26
ORX-2-CM-16L-53-50K7	2850	110	2810	108	2793	107	2871	110	26
ORX-2-CM-16L-53-50K8	2638	101	2601	100	2585	99	2657	102	26
ORX-2-CM-16L-7-27K7	3223	95	3177	93	3158	93	3246	95	34
ORX-2-CM-16L-7-27K8	3018	89	2975	88	2957	87	3040	89	34
ORX-2-CM-16L-7-30K7	3484	102	3435	101	3414	100	3509	103	34
ORX-2-CM-16L-7-30K8	3236	95	3190	94	3171	93	3259	96	34
ORX-2-CM-16L-7-35K8	3236	95	3190	94	3171	93	3259	96	34
ORX-2-CM-16L-7-40K7	3765	111	3711	109	3689	109	3792	112	34
ORX-2-CM-16L-7-40K8	3485	102	3435	101	3415	100	3510	103	34
ORX-2-CM-16L-7-50K7	3765	111	3711	109	3689	109	3792	112	34
ORX-2-CM-16L-7-50K8	3485	102	3435	101	3415	100	3510	103	34
ORX-2-CM-16L-1-27K7	4834	95	4765	93	4737	93	4869	95	51
ORX-2-CM-16L-1-27K8	4527	89	4462	87	4436	87	4560	89	51
ORX-2-CM-16L-1-30K7	5226	102	5152	101	5121	100	5264	103	51
ORX-2-CM-16L-1-30K8	4853	95	4785	94	4756	93	4889	96	51
ORX-2-CM-16L-1-35K8	4853	95	4785	94	4756	93	4889	96	51
ORX-2-CM-16L-1-40K7	5647	111	5567	109	5534	109	5688	112	51
ORX-2-CM-16L-1-40K8	5227	102	5153	101	5122	100	5265	103	51
ORX-2-CM-16L-1-50K7	5647	111	5567	109	5534	109	5688	112	51
ORX-2-CM-16L-1-50K8	5227	102	5153	101	5122	100	5265	103	51

3000K or lower, with fixed mounting options only, must be selected to meet International Dark Sky Association Certification

PRODUCT SPECIFICATIONS

ORX-2-CM-16L NO LENS

LUMEN CHART - PERFORMANCE SILICONE MICRO OPTICS - NO LENS					
PART NUMBER	T4FTW	LPW	T5W	LPW	WATTAGE
ORX-2-CM-16L-40-27K7	2121	101	2211	105	21
ORX-2-CM-16L-40-27K8	1986	95	2070	99	21
ORX-2-CM-16L-40-30K7	2293	109	2391	114	21
ORX-2-CM-16L-40-30K8	2129	101	2220	106	21
ORX-2-CM-16L-40-35K8	2129	101	2220	106	21
ORX-2-CM-16L-40-40K7	2478	118	2583	123	21
ORX-2-CM-16L-40-40K8	2294	109	2391	114	21
ORX-2-CM-16L-40-50K7	2478	118	2583	123	21
ORX-2-CM-16L-40-50K8	2294	109	2391	114	21
ORX-2-CM-16L-53-27K7	2613	93	3068	110	28
ORX-2-CM-16L-53-27K8	2447	87	2873	103	28
ORX-2-CM-16L-53-30K7	2825	101	3317	118	28
ORX-2-CM-16L-53-30K8	2624	94	3080	110	28
ORX-2-CM-16L-53-35K8	2624	94	3080	110	28
ORX-2-CM-16L-53-40K7	3052	109	3584	128	28
ORX-2-CM-16L-53-40K8	2825	101	3317	118	28
ORX-2-CM-16L-53-50K7	3052	109	3584	128	28
ORX-2-CM-16L-53-50K8	2825	101	3317	118	28
ORX-2-CM-16L-7-27K7	3082	86	3883	108	36
ORX-2-CM-16L-7-27K8	2886	80	3636	101	36
ORX-2-CM-16L-7-30K7	3332	93	4198	117	36
ORX-2-CM-16L-7-30K8	3094	86	3899	108	36
ORX-2-CM-16L-7-35K8	3094	86	3899	108	36
ORX-2-CM-16L-7-40K7	3600	100	4536	126	36
ORX-2-CM-16L-7-40K8	3332	93	4199	117	36
ORX-2-CM-16L-7-50K7	3600	100	4536	126	36
ORX-2-CM-16L-7-50K8	3332	93	4199	117	36
ORX-2-CM-16L-1-27K7	4691	84	5383	96	56
ORX-2-CM-16L-1-27K8	4393	78	5041	90	56
ORX-2-CM-16L-1-30K7	5072	91	5820	104	56
ORX-2-CM-16L-1-30K8	4710	84	5405	97	56
ORX-2-CM-16L-1-35K8	4710	84	5405	97	56
ORX-2-CM-16L-1-40K7	5480	98	6289	112	56
ORX-2-CM-16L-1-40K8	5072	91	5821	104	56
ORX-2-CM-16L-1-50K7	5480	98	6289	112	56
ORX-2-CM-16L-1-50K8	5072	91	5821	104	56

3000K or lower, with fixed mounting options only, must be selected to meet International Dark Sky Association Certification

PRODUCT SPECIFICATIONS

ORX-2-CM-32L NO LENS

LUMEN CHART - STANDARD SILICONE MICRO OPTICS - NO LENS									
PART NUMBER	T2	LPW	T3	LPW	T4	LPW	T5	LPW	WATTAGE
ORX-2-CM-32L-35-27K7	3223	95	3177	93	3158	93	3246	95	34
ORX-2-CM-32L-35-27K8	3018	89	2975	88	2957	87	3040	89	34
ORX-2-CM-32L-35-30K7	3484	102	3435	101	3414	100	3509	103	34
ORX-2-CM-32L-35-30K8	3236	95	3190	94	3171	93	3259	96	34
ORX-2-CM-32L-35-35K8	3236	95	3190	94	3171	93	3259	96	34
ORX-2-CM-32L-35-40K7	3765	111	3711	109	3689	109	3792	112	34
ORX-2-CM-32L-35-40K8	3485	102	3435	101	3415	100	3510	103	34
ORX-2-CM-32L-35-50K7	3765	111	3711	109	3689	109	3792	112	34
ORX-2-CM-32L-35-50K8	3485	102	3435	101	3415	100	3510	103	34
ORX-2-CM-32L-53-27K7	4880	94	4810	93	4782	92	4915	95	52
ORX-2-CM-32L-53-27K8	4570	88	4504	87	4478	86	4603	89	52
ORX-2-CM-32L-53-30K7	5276	101	5201	100	5170	99	5314	102	52
ORX-2-CM-32L-53-30K8	4900	94	4830	93	4801	92	4935	95	52
ORX-2-CM-32L-53-35K8	4900	94	4830	93	4801	92	4935	95	52
ORX-2-CM-32L-53-40K7	5701	110	5620	108	5586	107	5742	110	52
ORX-2-CM-32L-53-40K8	5277	101	5202	100	5170	99	5315	102	52
ORX-2-CM-32L-53-50K7	5701	110	5620	108	5586	107	5742	110	52
ORX-2-CM-32L-53-50K8	5277	101	5202	100	5170	99	5315	102	52
ORX-2-CM-32L-7-27K7	6445	95	6353	93	6316	93	6492	95	68
ORX-2-CM-32L-7-27K8	6035	89	5949	87	5915	87	6079	89	68
ORX-2-CM-32L-7-30K7	6968	102	6869	101	6829	100	7019	103	68
ORX-2-CM-32L-7-30K8	6471	95	6379	94	6342	93	6518	96	68
ORX-2-CM-32L-7-35K8	6471	95	6379	94	6342	93	6518	96	68
ORX-2-CM-32L-7-40K7	7529	111	7422	109	7378	109	7584	112	68
ORX-2-CM-32L-7-40K8	6969	102	6870	101	6829	100	7020	103	68
ORX-2-CM-32L-7-50K7	7529	111	7422	109	7378	109	7584	112	68
ORX-2-CM-32L-7-50K8	6969	102	6870	101	6829	100	7020	103	68
ORX-2-CM-32L-1-27K7	9668	95	9530	93	9474	93	9738	95	102
ORX-2-CM-32L-1-27K8	9054	89	8924	87	8872	87	9119	89	102
ORX-2-CM-32L-1-30K7	10453	102	10304	101	10243	100	10528	103	102
ORX-2-CM-32L-1-30K8	9707	95	9569	94	9512	93	9777	96	102
ORX-2-CM-32L-1-35K8	9707	95	9569	94	9512	93	9777	96	102
ORX-2-CM-32L-1-40K7	11294	111	11133	109	11067	109	11376	112	102
ORX-2-CM-32L-1-40K8	10454	102	10305	101	10244	100	10530	103	102
ORX-2-CM-32L-1-50K7	11294	111	11133	109	11067	109	11376	112	102
ORX-2-CM-32L-1-50K8	10454	102	10305	101	10244	100	10530	103	102
ORX-2-CM-32L-12-27K7	11509	92	11345	91	11278	90	11593	93	125
ORX-2-CM-32L-12-27K8	10778	86	10624	85	10561	84	10856	87	125
ORX-2-CM-32L-12-30K7	12444	100	12267	98	12194	98	12534	100	125
ORX-2-CM-32L-12-30K8	11556	92	11392	91	11324	91	11640	93	125
ORX-2-CM-32L-12-35K8	11556	92	11392	91	11324	91	11640	93	125
ORX-2-CM-32L-12-40K7	13445	108	13254	106	13175	105	13543	108	125
ORX-2-CM-32L-12-40K8	12445	100	12268	98	12195	98	12536	100	125
ORX-2-CM-32L-12-50K7	13445	108	13254	106	13175	105	13543	108	125
ORX-2-CM-32L-12-50K8	12445	100	12268	98	12195	98	12536	100	125
ORX-2-CM-32L-14-27K7	12890	92	12707	91	12631	90	12984	93	140
ORX-2-CM-32L-14-27K8	12071	86	11899	85	11828	84	12159	87	140
ORX-2-CM-32L-14-30K7	13937	100	13739	98	13657	98	14038	100	140
ORX-2-CM-32L-14-30K8	12943	92	12759	91	12683	91	13037	93	140
ORX-2-CM-32L-14-35K8	12943	92	12759	91	12683	91	13037	93	140
ORX-2-CM-32L-14-40K7	15059	108	14844	106	14756	105	15168	108	140
ORX-2-CM-32L-14-40K8	13939	100	13740	98	13658	98	14040	100	140
ORX-2-CM-32L-14-50K7	15059	108	14844	106	14756	105	15168	108	140
ORX-2-CM-32L-14-50K8	13939	100	13740	98	13658	98	14040	100	140



701 Kingshill Place, Carson, CA 90746
 Call Us Today (310) 341-2037

nlsighting.com

PRODUCT SPECIFICATIONS

ORX-2-CM-32L NO LENS

LUMEN CHART - PERFORMANCE SILICONE MICRO OPTICS - NO LENS					
PART NUMBER	T4FTW	LPW	T5W	LPW	WATTAGE
ORX-2-CM-32L-35-27K7	3696	109	3638	107	34
ORX-2-CM-32L-35-27K8	3461	102	3407	100	34
ORX-2-CM-32L-35-30K7	3996	118	3933	116	34
ORX-2-CM-32L-35-30K8	3711	109	3652	107	34
ORX-2-CM-32L-35-35K8	3711	109	3652	107	34
ORX-2-CM-32L-35-40K7	4318	127	4250	125	34
ORX-2-CM-32L-35-40K8	3997	118	3934	116	34
ORX-2-CM-32L-35-50K7	4318	127	4250	125	34
ORX-2-CM-32L-35-50K8	3997	118	3934	116	34
ORX-2-CM-32L-53-27K7	5208	100	5519	106	52
ORX-2-CM-32L-53-27K8	4877	94	5168	99	52
ORX-2-CM-32L-53-30K7	5631	108	5968	115	52
ORX-2-CM-32L-53-30K8	5229	101	5542	107	52
ORX-2-CM-32L-53-35K8	5229	101	5542	107	52
ORX-2-CM-32L-53-40K7	6084	117	6448	124	52
ORX-2-CM-32L-53-40K8	5631	108	5968	115	52
ORX-2-CM-32L-53-50K7	6084	117	6448	124	52
ORX-2-CM-32L-53-50K8	5631	108	5968	115	52
ORX-2-CM-32L-7-27K7	6503	92	7354	104	71
ORX-2-CM-32L-7-27K8	6090	86	6887	97	71
ORX-2-CM-32L-7-30K7	7031	99	7951	112	71
ORX-2-CM-32L-7-30K8	6530	92	7384	104	71
ORX-2-CM-32L-7-35K8	6530	92	7384	104	71
ORX-2-CM-32L-7-40K7	7597	107	8591	121	71
ORX-2-CM-32L-7-40K8	7032	99	7952	112	71
ORX-2-CM-32L-7-50K7	7597	107	8591	121	71
ORX-2-CM-32L-7-50K8	7032	99	7952	112	71
ORX-2-CM-32L-1-27K7	9472	90	9723	93	105
ORX-2-CM-32L-1-27K8	8870	84	9105	87	105
ORX-2-CM-32L-1-30K7	10242	98	10513	100	105
ORX-2-CM-32L-1-30K8	9512	91	9763	93	105
ORX-2-CM-32L-1-35K8	9512	91	9763	93	105
ORX-2-CM-32L-1-40K7	11066	105	11359	108	105
ORX-2-CM-32L-1-40K8	10243	98	10514	100	105
ORX-2-CM-32L-1-50K7	11066	105	11359	108	105
ORX-2-CM-32L-1-50K8	10243	98	10514	100	105
ORX-2-CM-32L-12-27K7	11217	89	11541	92	126
ORX-2-CM-32L-12-27K8	10504	83	10808	86	126
ORX-2-CM-32L-12-30K7	12128	96	12478	99	126
ORX-2-CM-32L-12-30K8	11263	89	11588	92	126
ORX-2-CM-32L-12-35K8	11263	89	11588	92	126
ORX-2-CM-32L-12-40K7	13104	104	13482	107	126
ORX-2-CM-32L-12-40K8	12129	96	12479	99	126
ORX-2-CM-32L-12-50K7	13104	104	13482	107	126
ORX-2-CM-32L-12-50K8	12129	96	12479	99	126
ORX-2-CM-32L-14-27K7	12552	89	12914	92	141
ORX-2-CM-32L-14-27K8	11754	83	12093	86	141
ORX-2-CM-32L-14-30K7	13572	96	13963	99	141
ORX-2-CM-32L-14-30K8	12604	89	12967	92	141
ORX-2-CM-32L-14-35K8	12604	89	12967	92	141
ORX-2-CM-32L-14-40K7	14664	104	15087	107	141
ORX-2-CM-32L-14-40K8	13573	96	13965	99	141
ORX-2-CM-32L-14-50K7	14664	104	15087	107	141
ORX-2-CM-32L-14-50K8	13573	96	13965	99	141

PRODUCT SPECIFICATIONS

ORX-2-CM-64L NO LENS

LUMEN CHART - STANDARD SILICONE MICRO OPTICS - NO LENS									
PART NUMBER	T2	LPW	T3	LPW	T4	LPW	T5	LPW	WATTAGE
ORX-2-CM-64L-35-27K7	6445	95	6353	93	6316	93	6492	95	68
ORX-2-CM-64L-35-27K8	6035	89	5949	87	5915	87	6079	89	68
ORX-2-CM-64L-35-30K7	6969	102	6869	101	6829	100	7019	103	68
ORX-2-CM-64L-35-30K8	6472	95	6379	94	6342	93	6518	96	68
ORX-2-CM-64L-35-35K8	6472	95	6379	94	6342	93	6518	96	68
ORX-2-CM-64L-35-40K7	7530	111	7422	109	7378	109	7584	112	68
ORX-2-CM-64L-35-40K8	6970	102	6870	101	6829	100	7020	103	68
ORX-2-CM-64L-35-50K7	7530	111	7422	109	7378	109	7584	112	68
ORX-2-CM-64L-35-50K8	6970	102	6870	101	6829	100	7020	103	68
ORX-2-CM-64L-53-27K7	9760	95	9621	93	9564	93	9831	95	103
ORX-2-CM-64L-53-27K8	9140	89	9010	87	8956	87	9206	89	103
ORX-2-CM-64L-53-30K7	10552	102	10402	101	10341	100	10629	103	103
ORX-2-CM-64L-53-30K8	9799	95	9660	94	9603	93	9871	96	103
ORX-2-CM-64L-53-35K8	9799	95	9660	94	9603	93	9871	96	103
ORX-2-CM-64L-53-40K7	11402	111	11239	109	11173	108	11485	112	103
ORX-2-CM-64L-53-40K8	10554	102	10403	101	10342	100	10631	103	103
ORX-2-CM-64L-53-50K7	11402	111	11239	109	11173	108	11485	112	103
ORX-2-CM-64L-53-50K8	10554	102	10403	101	10342	100	10631	103	103
ORX-2-CM-64L-7-27K7	12891	94	12707	93	12632	92	12984	95	137
ORX-2-CM-64L-7-27K8	12072	88	11899	87	11829	86	12159	89	137
ORX-2-CM-64L-7-30K7	13937	102	13738	100	13657	100	14038	102	137
ORX-2-CM-64L-7-30K8	12943	94	12758	93	12683	93	13037	95	137
ORX-2-CM-64L-7-35K8	12943	94	12758	93	12683	93	13037	95	137
ORX-2-CM-64L-7-40K7	15059	110	14844	108	14757	108	15168	111	137
ORX-2-CM-64L-7-40K8	13939	102	13740	100	13659	100	14040	102	137
ORX-2-CM-64L-7-50K7	15059	110	14844	108	14757	108	15168	111	137
ORX-2-CM-64L-7-50K8	13939	102	13740	100	13659	100	14040	102	137
ORX-2-CM-64L-1A-27K7	18415	92	18152	91	18045	90	18549	93	200
ORX-2-CM-64L-1A-27K8	17245	86	16998	85	16898	84	17370	87	200
ORX-2-CM-64L-1A-30K7	19910	100	19626	98	19510	98	20055	100	200
ORX-2-CM-64L-1A-30K8	18490	92	18226	91	18119	91	18625	93	200
ORX-2-CM-64L-1A-35K8	18490	92	18226	91	18119	91	18625	93	200
ORX-2-CM-64L-1A-40K7	21513	108	21206	106	21081	105	21669	108	200
ORX-2-CM-64L-1A-40K8	19913	100	19629	98	19513	98	20057	100	200
ORX-2-CM-64L-1A-50K7	21513	108	21206	106	21081	105	21669	108	200
ORX-2-CM-64L-1A-50K8	19913	100	19629	98	19513	98	20057	100	200

PRODUCT SPECIFICATIONS

ORX-2-CM-64L NO LENS

LUMEN CHART - PERFORMANCE SILICONE MICRO OPTICS - NO LENS					
PART NUMBER	T4FTW	LPW	T5W	LPW	WATTAGE
ORX-2-CM-64L-35-27K7	7392	109	8033	118	68
ORX-2-CM-64L-35-27K8	6922	102	7522	111	68
ORX-2-CM-64L-35-30K7	7993	118	8685	128	68
ORX-2-CM-64L-35-30K8	7423	109	8066	119	68
ORX-2-CM-64L-35-35K8	7423	109	8066	119	68
ORX-2-CM-64L-35-40K7	8636	127	9384	138	68
ORX-2-CM-64L-35-40K8	7994	118	8686	128	68
ORX-2-CM-64L-35-50K7	8636	127	9384	138	68
ORX-2-CM-64L-35-50K8	7994	118	8686	128	68
ORX-2-CM-64L-53-27K7	10316	100	12079	117	103
ORX-2-CM-64L-53-27K8	9660	94	11311	110	103
ORX-2-CM-64L-53-30K7	11153	108	13060	127	103
ORX-2-CM-64L-53-30K8	10358	101	12129	118	103
ORX-2-CM-64L-53-35K8	10358	101	12129	118	103
ORX-2-CM-64L-53-40K7	12051	117	14111	137	103
ORX-2-CM-64L-53-40K8	11155	108	13061	127	103
ORX-2-CM-64L-53-50K7	12051	117	14111	137	103
ORX-2-CM-64L-53-50K8	11155	108	13061	127	103
ORX-2-CM-64L-7-27K7	12548	92	15832	116	137
ORX-2-CM-64L-7-27K8	11751	86	14826	108	137
ORX-2-CM-64L-7-30K7	13567	99	17177	125	137
ORX-2-CM-64L-7-30K8	12599	92	15952	116	137
ORX-2-CM-64L-7-35K8	12599	92	15952	116	137
ORX-2-CM-64L-7-40K7	14659	107	18495	135	137
ORX-2-CM-64L-7-40K8	13569	99	17119	125	137
ORX-2-CM-64L-7-50K7	14659	107	18495	135	137
ORX-2-CM-64L-7-50K8	13569	99	17119	125	137
ORX-2-CM-64L-1A-27K7	17616	90	20203	103	196
ORX-2-CM-64L-1A-27K8	16496	84	18919	97	196
ORX-2-CM-64L-1A-30K7	19046	97	21844	111	196
ORX-2-CM-64L-1A-30K8	17688	90	20286	104	196
ORX-2-CM-64L-1A-35K8	17688	90	20286	104	196
ORX-2-CM-64L-1A-40K7	20579	105	23602	120	196
ORX-2-CM-64L-1A-40K8	19048	97	21846	111	196
ORX-2-CM-64L-1A-50K7	20579	105	23602	120	196
ORX-2-CM-64L-1A-50K8	19048	97	21846	111	196

PRODUCT SPECIFICATIONS

ORX-2-CM-64 LED BACKLIT

LUMEN CHART - ORX-2-CM-BACKLIT VISUAL COMFORT ASYMMETRIC OPTICS			
PART NUMBER	VCA	LPW	WATTAGE
ORX-2-CM-VCA-64L-35-27K7	5832	84	69
ORX-2-CM-VCA-64L-35-27K8	5461	79	69
ORX-2-CM-VCA-64L-35-30K7	6305	91	69
ORX-2-CM-VCA-64L-35-30K8	5855	85	69
ORX-2-CM-VCA-64L-35-35K8	5855	85	69
ORX-2-CM-VCA-64L-35-40K7	6813	99	69
ORX-2-CM-VCA-64L-35-40K7	6306	91	69
ORX-2-CM-VCA-64L-35-50K7	6812	99	69
ORX-2-CM-VCA-64L-35-50K8	6306	91	69
ORX-2-CM-VCA-64L-53-27K7	8219	79	105
ORX-2-CM-VCA-64L-53-27K8	7696	74	105
ORX-2-CM-VCA-64L-53-30K7	8885	85	105
ORX-2-CM-VCA-64L-53-30K8	8252	79	105
ORX-2-CM-VCA-64L-53-35K8	8252	79	105
ORX-2-CM-VCA-64L-53-40K7	9601	92	105
ORX-2-CM-VCA-64L-53-40K7	8887	85	105
ORX-2-CM-VCA-64L-53-50K7	9601	92	105
ORX-2-CM-VCA-64L-53-50K8	8887	85	105
ORX-2-CM-VCA-64L-7-27K7	10248	74	138
ORX-2-CM-VCA-64L-7-27K8	9597	70	138
ORX-2-CM-VCA-64L-7-30K7	11080	80	138
ORX-2-CM-VCA-64L-7-30K8	10290	75	138
ORX-2-CM-VCA-64L-7-35K8	10290	75	138
ORX-2-CM-VCA-64L-7-40K7	11972	87	138
ORX-2-CM-VCA-64L-7-40K7	11082	80	138
ORX-2-CM-VCA-64L-7-50K7	11972	87	138
ORX-2-CM-VCA-64L-7-50K8	11082	80	138
ORX-2-CM-VCA-64L-1A-27K7	15008	76	197
ORX-2-CM-VCA-64L-1A-27K8	14054	71	197
ORX-2-CM-VCA-64L-1A-30K7	16226	82	197
ORX-2-CM-VCA-64L-1A-30K8	15069	76	197
ORX-2-CM-VCA-64L-1A-35K8	15069	76	197
ORX-2-CM-VCA-64L-1A-40K7	17533	89	197
ORX-2-CM-VCA-64L-1A-40K7	16229	82	197
ORX-2-CM-VCA-64L-1A-50K7	17533	89	197
ORX-2-CM-VCA-64L-1A-50K8	16229	82	197

LUMEN CHART - ORX-2-CM-BACKLIT VISUAL COMFORT SYMMETRIC OPTICS			
PART NUMBER	VCS	LPW	WATTAGE
ORX-2-CM-VCS-64L-35-27K7	5214	74	70
ORX-2-CM-VCS-64L-35-27K8	4883	70	70
ORX-2-CM-VCS-64L-35-30K7	5637	81	70
ORX-2-CM-VCS-64L-35-30K8	5235	75	70
ORX-2-CM-VCS-64L-35-35K8	5235	75	70
ORX-2-CM-VCS-64L-35-40K7	6091	87	70
ORX-2-CM-VCS-64L-35-40K8	5638	81	70
ORX-2-CM-VCS-64L-35-50K7	6091	87	70
ORX-2-CM-VCS-64L-35-50K8	5638	81	70
ORX-2-CM-VCS-64L-53-27K7	7794	74	106
ORX-2-CM-VCS-64L-53-27K8	7299	69	106
ORX-2-CM-VCS-64L-53-30K7	8427	80	106
ORX-2-CM-VCS-64L-53-30K8	7826	74	106
ORX-2-CM-VCS-64L-53-35K8	7826	74	106
ORX-2-CM-VCS-64L-53-40K7	9106	86	106
ORX-2-CM-VCS-64L-53-40K8	8429	80	106
ORX-2-CM-VCS-64L-53-50K7	9106	86	106
ORX-2-CM-VCS-64L-53-50K8	8429	80	106
ORX-2-CM-VCS-64L-7-27K7	10434	75	140
ORX-2-CM-VCS-64L-7-27K8	9771	70	140
ORX-2-CM-VCS-64L-7-30K7	11281	81	140
ORX-2-CM-VCS-64L-7-30K8	10476	75	140
ORX-2-CM-VCS-64L-7-35K8	10476	75	140
ORX-2-CM-VCS-64L-7-40K7	12189	87	140
ORX-2-CM-VCS-64L-7-40K8	11283	81	140
ORX-2-CM-VCS-64L-7-50K7	12189	87	140
ORX-2-CM-VCS-64L-7-50K8	11283	81	140
ORX-2-CM-VCS-64L-1A-27K7	13801	69	200
ORX-2-CM-VCS-64L-1A-27K8	12924	65	200
ORX-2-CM-VCS-64L-1A-30K7	14921	75	200
ORX-2-CM-VCS-64L-1A-30K8	13857	69	200
ORX-2-CM-VCS-64L-1A-35K8	13857	69	200
ORX-2-CM-VCS-64L-1A-40K7	16123	81	200
ORX-2-CM-VCS-64L-1A-40K8	14924	75	200
ORX-2-CM-VCS-64L-1A-50K7	16123	81	200
ORX-2-CM-VCS-64L-1A-50K8	14924	75	200

PRODUCT SPECIFICATIONS

ORX-2-CM-16L LENSED

LUMEN CHART - STANDARD SILICONE MICRO OPTICS - LENSED

PART NUMBER	T2 CTG	LPW	T2 DPCL	LPW	T3 CTG	LPW	T3 DPCL	LPW	T4 CTG	LPW	T4 DPCL	LPW	T5 CTG	LPW	T5 DPCL	LPW	WATTAGE
ORX-2-CM-16L-40-27K7	1565	75	1105	53	1543	73	1089	52	1534	73	1083	52	1577	75	1113	53	21
ORX-2-CM-16L-40-27K8	1466	70	1035	49	1445	69	1020	49	1437	68	1014	48	1477	70	1042	50	21
ORX-2-CM-16L-40-30K7	1692	81	1195	57	1669	79	1178	56	1658	79	1171	56	1704	81	1203	57	21
ORX-2-CM-16L-40-30K8	1571	75	1110	53	1550	74	1094	52	1540	73	1087	52	1582	75	1117	53	21
ORX-2-CM-16L-40-35K8	1571	75	1110	53	1550	74	1094	52	1540	73	1087	52	1582	75	1117	53	21
ORX-2-CM-16L-40-40K7	1829	87	1291	61	1803	86	1273	61	1792	85	1265	60	1842	88	1301	62	21
ORX-2-CM-16L-40-40K8	1693	81	1195	57	1669	79	1178	56	1659	79	1171	56	1705	81	1204	57	21
ORX-2-CM-16L-40-50K7	1829	87	1291	61	1803	86	1273	61	1792	85	1265	60	1842	88	1301	62	21
ORX-2-CM-16L-40-50K8	1693	81	1195	57	1669	79	1178	56	1659	79	1171	56	1705	81	1204	57	21
ORX-2-CM-16L-53-27K7	2074	80	1464	56	2044	79	1443	56	2033	78	1435	55	2089	80	1475	57	26
ORX-2-CM-16L-53-27K8	1942	75	1371	53	1914	74	1351	52	1904	73	1344	52	1956	75	1381	53	26
ORX-2-CM-16L-53-30K7	2242	86	1583	61	2211	85	1561	60	2197	85	1551	60	2259	87	1595	61	26
ORX-2-CM-16L-53-30K8	2082	80	1470	57	2053	79	1450	56	2040	78	1440	55	2098	81	1481	57	26
ORX-2-CM-16L-53-35K8	2082	80	1470	57	2053	79	1450	56	2040	78	1440	55	2098	81	1481	57	26
ORX-2-CM-16L-53-40K7	2423	93	1711	66	2389	92	1687	65	2374	91	1676	64	2441	94	1723	66	26
ORX-2-CM-16L-53-40K8	2243	86	1584	61	2211	85	1562	60	2197	85	1551	60	2259	87	1595	61	26
ORX-2-CM-16L-53-50K7	2423	93	1711	66	2389	92	1687	65	2374	91	1676	64	2441	94	1723	66	26
ORX-2-CM-16L-53-50K8	2243	86	1584	61	2211	85	1562	60	2197	85	1551	60	2259	87	1595	61	26
ORX-2-CM-16L-7-27K7	2740	81	1934	57	2701	79	1907	56	2685	79	1895	56	2759	81	1948	57	34
ORX-2-CM-16L-7-27K8	2566	75	1811	53	2529	74	1786	53	2514	74	1775	52	2584	76	1824	54	34
ORX-2-CM-16L-7-30K7	2962	87	2091	62	2920	86	2062	61	2902	85	2049	60	2983	88	2106	62	34
ORX-2-CM-16L-7-30K8	2751	81	1942	57	2712	80	1915	56	2695	79	1903	56	2770	81	1956	58	34
ORX-2-CM-16L-7-35K8	2751	81	1942	57	2712	80	1915	56	2695	79	1903	56	2770	81	1956	58	34
ORX-2-CM-16L-7-40K7	3201	94	2260	66	3155	93	2227	66	3136	92	2214	65	3223	95	2276	67	34
ORX-2-CM-16L-7-40K8	2963	87	2092	62	2920	86	2061	61	2903	85	2049	60	2983	88	2107	62	34
ORX-2-CM-16L-7-50K7	3201	94	2260	66	3155	93	2227	66	3136	92	2214	65	3223	95	2276	67	34
ORX-2-CM-16L-7-50K8	2963	87	2092	62	2920	86	2061	61	2903	85	2049	60	2983	88	2107	62	34



701 Kingshill Place, Carson, CA 90746
 Call Us Today (310) 341-2037

nlsighting.com

PRODUCT SPECIFICATIONS

LUMEN CHART - PERFORMANCE SILICONE MICRO OPTICS - LENSED

PART NUMBER	T4FTW CTG	LPW	T4FTW DPCL	LPW	T5W CGL	LPW	T5W DPCL	LPW	WATTAGE
ORX-2-CM-16L-40-27K7	1803	86	NA	NA	1879	89	NA	NA	21
ORX-2-CM-16L-40-27K8	1688	80	NA	NA	1760	84	NA	NA	21
ORX-2-CM-16L-40-30K7	1949	93	NA	NA	2032	97	NA	NA	21
ORX-2-CM-16L-40-30K8	1810	86	NA	NA	1887	90	NA	NA	21
ORX-2-CM-16L-40-35K8	1810	86	NA	NA	1887	90	NA	NA	21
ORX-2-CM-16L-40-40K7	2106	100	NA	NA	2195	105	NA	NA	21
ORX-2-CM-16L-40-40K8	1949	93	NA	NA	2032	97	NA	NA	21
ORX-2-CM-16L-40-50K7	2106	100	NA	NA	2195	105	NA	NA	21
ORX-2-CM-16L-40-50K8	1949	93	NA	NA	2032	97	NA	NA	21
ORX-2-CM-16L-53-27K7	2221	79	NA	NA	2607	93	NA	NA	28
ORX-2-CM-16L-53-27K8	2080	74	NA	NA	2441	87	NA	NA	28
ORX-2-CM-16L-53-30K7	2401	86	NA	NA	2819	101	NA	NA	28
ORX-2-CM-16L-53-30K8	2230	80	NA	NA	2618	93	NA	NA	28
ORX-2-CM-16L-53-35K8	2230	80	NA	NA	2618	93	NA	NA	28
ORX-2-CM-16L-53-40K7	2594	93	NA	NA	3046	109	NA	NA	28
ORX-2-CM-16L-53-40K8	2401	86	NA	NA	2819	101	NA	NA	28
ORX-2-CM-16L-53-50K7	2594	93	NA	NA	3046	109	NA	NA	28
ORX-2-CM-16L-53-50K8	2401	86	NA	NA	2819	101	NA	NA	28
ORX-2-CM-16L-7-27K7	2619	73	NA	NA	3300	92	NA	NA	36
ORX-2-CM-16L-7-27K8	2453	68	NA	NA	3090	86	NA	NA	36
ORX-2-CM-16L-7-30K7	2832	79	NA	NA	3568	99	NA	NA	36
ORX-2-CM-16L-7-30K8	2630	73	NA	NA	3314	92	NA	NA	36
ORX-2-CM-16L-7-35K8	2630	73	NA	NA	3314	92	NA	NA	36
ORX-2-CM-16L-7-40K7	3060	85	NA	NA	3855	107	NA	NA	36
ORX-2-CM-16L-7-40K8	2832	79	NA	NA	3568	99	NA	NA	36
ORX-2-CM-16L-7-50K7	3060	85	NA	NA	3855	107	NA	NA	36
ORX-2-CM-16L-7-50K8	2832	79	NA	NA	3568	99	NA	NA	36



701 Kingshill Place, Carson, CA 90746
 Call Us Today (310) 341-2037

nlsighting.com

PRODUCT SPECIFICATIONS

ORX-2-CM-32L LENSED

LUMEN CHART - STANDARD SILICONE MICRO OPTICS LENSED

PART NUMBER	T2 CTG	LPW	T2 DPCL	LPW	T3 CTG	LPW	T3 DPCL	LPW	T4 CTG	LPW	T4 DPCL	LPW	T5 CTG	LPW	T5 DPCL	LPW	WATTAGE
ORX-2-CM-32L-35-27K7	2740	81	1934	57	2701	79	1907	56	2685	79	1895	56	2759	81	1948	57	34
ORX-2-CM-32L-35-27K8	2566	75	1811	53	2529	74	1786	53	2514	74	1775	52	2584	76	1824	54	34
ORX-2-CM-32L-35-30K7	2962	87	2091	62	2920	86	2062	61	2983	88	2049	60	2983	88	2106	62	34
ORX-2-CM-32L-35-30K8	2751	81	1942	57	2712	80	1915	56	2770	81	1903	56	2770	81	1956	58	34
ORX-2-CM-32L-35-35K8	2751	81	1942	57	2712	80	1915	56	2770	81	1903	56	2770	81	1956	58	34
ORX-2-CM-32L-35-40K7	3201	94	2260	66	3155	93	2227	66	3223	95	2214	65	3223	95	2276	67	34
ORX-2-CM-32L-35-40K8	2963	87	2092	62	2920	86	2061	61	2983	88	2049	60	2983	88	2107	62	34
ORX-2-CM-32L-35-50K7	3201	94	2260	66	3155	93	2227	66	3223	95	2214	65	3223	95	2276	67	34
ORX-2-CM-32L-35-50K8	2963	87	2092	62	2920	86	2061	61	2983	88	2049	60	2983	88	2107	62	34
ORX-2-CM-32L-53-27K7	4148	80	2929	56	4089	79	2887	56	4178	80	2870	55	4178	80	2950	57	52
ORX-2-CM-32L-53-27K8	3884	75	2743	53	3829	74	2704	52	3912	75	2688	52	3912	75	2763	53	52
ORX-2-CM-32L-53-30K7	4485	86	3167	61	4421	85	3122	60	4517	87	3103	60	4517	87	3189	61	52
ORX-2-CM-32L-53-30K8	4165	80	2941	57	4106	79	2899	56	4195	81	2882	55	4195	81	2962	57	52
ORX-2-CM-32L-53-35K8	4165	80	2941	57	4106	79	2899	56	4195	81	2882	55	4195	81	2962	57	52
ORX-2-CM-32L-53-40K7	4846	93	3422	66	4777	92	3373	65	4881	94	3353	64	4881	94	3446	66	52
ORX-2-CM-32L-53-40K8	4486	86	3167	61	4422	85	3122	60	4518	87	3104	60	4518	87	3190	61	52
ORX-2-CM-32L-53-50K7	4846	93	3422	66	4777	92	3373	65	4881	94	3353	64	4881	94	3446	66	52
ORX-2-CM-32L-53-50K8	4486	86	3167	61	4422	85	3122	60	4518	87	3104	60	4518	87	3190	61	52
ORX-2-CM-32L-7-27K7	5479	81	3868	57	5400	79	3813	56	5519	81	3791	56	5519	81	3896	57	68
ORX-2-CM-32L-7-27K8	5131	75	3622	53	5057	74	3571	53	5168	76	3550	52	5168	76	3648	54	68
ORX-2-CM-32L-7-30K7	5923	87	4182	62	5839	86	4123	61	5967	88	4099	60	5967	88	4213	62	68
ORX-2-CM-32L-7-30K8	5501	81	3884	57	5423	80	3829	56	5541	81	3807	56	5541	81	3913	58	68
ORX-2-CM-32L-7-35K8	5501	81	3884	57	5423	80	3829	56	5541	81	3807	56	5541	81	3913	58	68
ORX-2-CM-32L-7-40K7	6400	94	4519	66	6309	93	4455	66	6447	95	4428	65	6447	95	4552	67	68
ORX-2-CM-32L-7-40K8	5924	87	4183	62	5840	86	4124	61	5967	88	4099	60	5967	88	4213	62	68
ORX-2-CM-32L-7-50K7	6400	94	4519	66	6309	93	4455	66	6447	95	4428	65	6447	95	4552	67	68
ORX-2-CM-32L-7-50K8	5924	87	4183	62	5840	86	4124	61	5967	88	4099	60	5967	88	4213	62	68



701 Kingshill Place, Carson, CA 90746
 Call Us Today (310) 341-2037

nlsighting.com

PRODUCT SPECIFICATIONS

LUMEN CHART - PERFORMANCE SILICONE MICRO OPTICS

PART NUMBER	T4FTW CTG	LPW	T5W CGL	LPW	WATTAGE
ORX-2-CM-32L-35-27K7	3142	92	3092	91	34
ORX-2-CM-32L-35-27K8	2942	87	2895	85	34
ORX-2-CM-32L-35-30K7	3397	100	3342	98	34
ORX-2-CM-32L-35-30K8	3155	93	3104	91	34
ORX-2-CM-32L-35-35K8	3155	93	3104	91	34
ORX-2-CM-32L-35-40K7	3670	108	3612	106	34
ORX-2-CM-32L-35-40K8	3397	100	3343	98	34
ORX-2-CM-32L-35-50K7	3670	108	3612	106	34
ORX-2-CM-32L-35-50K8	3397	100	3343	98	34
ORX-2-CM-32L-53-27K7	4427	85	4690	90	52
ORX-2-CM-32L-53-27K8	4146	80	4392	84	52
ORX-2-CM-32L-53-30K7	4786	92	5072	98	52
ORX-2-CM-32L-53-30K8	4445	85	4710	91	52
ORX-2-CM-32L-53-35K8	4445	85	4710	91	52
ORX-2-CM-32L-53-40K7	5171	99	5480	105	52
ORX-2-CM-32L-53-40K8	4786	92	5072	98	52
ORX-2-CM-32L-53-50K7	5171	99	5480	105	52
ORX-2-CM-32L-53-50K8	4786	92	5072	98	52
ORX-2-CM-32L-7-27K7	5528	78	6250	88	71
ORX-2-CM-32L-7-27K8	5177	73	5853	82	71
ORX-2-CM-32L-7-30K7	5976	84	6757	95	71
ORX-2-CM-32L-7-30K8	5550	78	6275	88	71
ORX-2-CM-32L-7-35K8	5550	78	6275	88	71
ORX-2-CM-32L-7-40K7	6457	91	7301	103	71
ORX-2-CM-32L-7-40K8	5977	84	6758	95	71
ORX-2-CM-32L-7-50K7	6457	91	7301	103	71
ORX-2-CM-32L-7-50K8	5977	84	6758	95	71



701 Kingshill Place, Carson, CA 90746
 Call Us Today (310) 341-2037

nlsighting.com

PRODUCT SPECIFICATIONS

ORX-2-CM-64L LENSED

LUMEN CHART - STANDARD SILICONE MICRO OPTICS - LENSED

PART NUMBER	T2 CTG	LPW	T2 DPCL	LPW	T3 CTG	LPW	T3 DPCL	LPW	T4 CTG	LPW	T4 DPCL	LPW	T5 CTG	LPW	T5 DPCL	LPW	WATTAGE
ORX-2-CM-64L-35-27K7	5479	81	3868	57	5400	79	3813	56	5369	79	3791	56	5519	81	3896	57	68
ORX-2-CM-64L-35-27K8	5131	75	3622	53	5057	74	3571	53	5028	74	3550	52	5168	76	3648	54	68
ORX-2-CM-64L-35-30K7	5924	87	4183	62	5839	86	4123	61	5805	85	4099	60	5967	88	4213	62	68
ORX-2-CM-64L-35-30K8	5501	81	3885	57	5423	80	3829	56	5391	79	3807	56	5541	81	3913	58	68
ORX-2-CM-64L-35-35K8	5501	81	3885	57	5423	80	3829	56	5391	79	3807	56	5541	81	3913	58	68
ORX-2-CM-64L-35-40K7	6401	94	4519	66	6309	93	4455	66	6272	92	4428	65	6447	95	4552	67	68
ORX-2-CM-64L-35-40K8	5925	87	4183	62	5840	86	4124	61	5805	85	4099	60	5967	88	4213	62	68
ORX-2-CM-64L-35-50K7	6401	94	4519	66	6309	93	4455	66	6272	92	4428	65	6447	95	4552	67	68
ORX-2-CM-64L-35-50K8	5925	87	4183	62	5840	86	4124	61	5805	85	4099	60	5967	88	4213	62	68
ORX-2-CM-64L-53-27K7	8297	81	5858	57	8179	79	5774	56	8130	79	5740	56	8357	81	5900	57	103
ORX-2-CM-64L-53-27K8	7770	75	5486	53	7659	74	5407	52	7613	74	5375	52	7826	76	5525	54	103
ORX-2-CM-64L-53-30K7	8970	87	6333	61	8842	86	6243	61	8791	85	6207	60	9035	88	6379	62	103
ORX-2-CM-64L-53-30K8	8330	81	5881	57	8211	80	5798	56	8164	79	5764	56	8391	81	5924	58	103
ORX-2-CM-64L-53-35K8	8330	81	5881	57	8211	80	5798	56	8164	79	5764	56	8391	81	5924	58	103
ORX-2-CM-64L-53-40K7	9693	94	6843	66	9554	93	6746	65	9498	92	6706	65	9763	95	6893	67	103
ORX-2-CM-64L-53-40K8	8972	87	6334	61	8843	86	6244	61	8792	85	6207	60	9037	88	6380	62	103
ORX-2-CM-64L-53-50K7	9693	94	6843	66	9554	93	6746	65	9498	92	6706	65	9763	95	6893	67	103
ORX-2-CM-64L-53-50K8	8972	87	6334	61	8843	86	6244	61	8792	85	6207	60	9037	88	6380	62	103
ORX-2-CM-64L-7-27K7	10958	80	7737	56	10802	79	7627	56	10738	78	7582	55	11037	81	7793	57	137
ORX-2-CM-64L-7-27K8	10262	75	7245	53	10116	74	7142	52	10056	73	7100	52	10336	75	7298	53	137
ORX-2-CM-64L-7-30K7	11847	86	8365	61	11678	85	8245	60	11609	85	8197	60	11933	87	8425	61	137
ORX-2-CM-64L-7-30K8	11002	80	7768	57	10845	79	7657	56	10781	79	7612	56	11082	81	7824	57	137
ORX-2-CM-64L-7-35K8	11002	80	7768	57	10845	79	7657	56	10781	79	7612	56	11082	81	7824	57	137
ORX-2-CM-64L-7-40K7	12801	93	9038	66	12618	92	8909	65	12544	92	8857	65	12894	94	9104	66	137
ORX-2-CM-64L-7-40K8	11849	86	8366	61	11679	85	8246	60	11611	85	8198	60	11935	87	8427	62	137
ORX-2-CM-64L-7-50K7	12801	93	9038	66	12618	92	8909	65	12544	92	8857	65	12894	94	9104	66	137
ORX-2-CM-64L-7-50K8	11849	86	8366	61	11679	85	8246	60	11611	85	8198	60	11935	87	8427	62	137



701 Kingshill Place, Carson, CA 90746
 Call Us Today (310) 341-2037

nlsighting.com

PRODUCT SPECIFICATIONS

LUMEN CHART - PERFORMANCE SILICONE MICRO OPTICS - LENSED

PART NUMBER	T4FTW CTG	LPW	T4FTW DPCL	LPW	T5W CGL	LPW	T5W DPCL	LPW	WATTAGE
ORX-2-CM-64L-35-27K7	6284	92	NA	NA	6827	100	NA	NA	68
ORX-2-CM-64L-35-27K8	5885	87	NA	NA	6393	94	NA	NA	68
ORX-2-CM-64L-35-30K7	6794	100	NA	NA	7381	109	NA	NA	68
ORX-2-CM-64L-35-30K8	6309	93	NA	NA	6855	101	NA	NA	68
ORX-2-CM-64L-35-35K8	6309	93	NA	NA	6855	101	NA	NA	68
ORX-2-CM-64L-35-40K7	7341	108	NA	NA	7975	117	NA	NA	68
ORX-2-CM-64L-35-40K8	6795	100	NA	NA	7382	109	NA	NA	68
ORX-2-CM-64L-35-50K7	7341	108	NA	NA	7975	117	NA	NA	68
ORX-2-CM-64L-35-50K8	6795	100	NA	NA	7382	109	NA	NA	68
ORX-2-CM-64L-53-27K7	8768	85	NA	NA	10265	100	NA	NA	103
ORX-2-CM-64L-53-27K8	8211	80	NA	NA	9613	93	NA	NA	103
ORX-2-CM-64L-53-30K7	9480	92	NA	NA	11099	108	NA	NA	103
ORX-2-CM-64L-53-30K8	8804	85	NA	NA	10307	100	NA	NA	103
ORX-2-CM-64L-53-35K8	8804	85	NA	NA	10307	100	NA	NA	103
ORX-2-CM-64L-53-40K7	10243	99	NA	NA	11992	116	NA	NA	103
ORX-2-CM-64L-53-40K8	9481	92	NA	NA	11100	108	NA	NA	103
ORX-2-CM-64L-53-50K7	10243	99	NA	NA	11992	116	NA	NA	103
ORX-2-CM-64L-53-50K8	9481	92	NA	NA	11100	108	NA	NA	103
ORX-2-CM-64L-7-27K7	10666	78	NA	NA	13455	98	NA	NA	137
ORX-2-CM-64L-7-27K8	9988	73	NA	NA	12600	92	NA	NA	137
ORX-2-CM-64L-7-30K7	11532	84	NA	NA	14598	107	NA	NA	137
ORX-2-CM-64L-7-30K8	10710	78	NA	NA	13557	99	NA	NA	137
ORX-2-CM-64L-7-35K8	10710	78	NA	NA	13557	99	NA	NA	137
ORX-2-CM-64L-7-40K7	12460	91	NA	NA	15718	115	NA	NA	137
ORX-2-CM-64L-7-40K8	11533	84	NA	NA	14549	106	NA	NA	137
ORX-2-CM-64L-7-50K7	12460	91	NA	NA	15718	115	NA	NA	137
ORX-2-CM-64L-7-50K8	11533	84	NA	NA	14549	106	NA	NA	137
ORX-2-CM-64L-1A-27K7	NA	NA	NA	NA	17169	88	NA	NA	196
ORX-2-CM-64L-1A-27K8	NA	NA	NA	NA	16078	82	NA	NA	196
ORX-2-CM-64L-1A-30K7	NA	NA	NA	NA	18564	95	NA	NA	196
ORX-2-CM-64L-1A-30K8	NA	NA	NA	NA	17240	88	NA	NA	196
ORX-2-CM-64L-1A-35K8	NA	NA	NA	NA	17240	88	NA	NA	196
ORX-2-CM-64L-1A-40K7	NA	NA	NA	NA	20058	102	NA	NA	196
ORX-2-CM-64L-1A-40K8	NA	NA	NA	NA	18566	95	NA	NA	196
ORX-2-CM-64L-1A-50K7	NA	NA	NA	NA	20058	102	NA	NA	196
ORX-2-CM-64L-1A-50K8	NA	NA	NA	NA	18566	95	NA	NA	196



701 Kingshill Place, Carson, CA 90746
 Call Us Today (310) 341-2037

nlsighting.com

PRODUCT SPECIFICATIONS

ORX-2-UPL

ORX-2-UPL LUMEN CHART				
PART NUMBER	T5W	LM/W	B-U-G	WATTAGE
ORX-2-T5W-32L-35-27K7-UPL-UNV	5881	118	B3-U5-G2	50
ORX-2-T5W-32L-35-30K7-UPL-UNV	6826	137	B3-U5-G2	50
ORX-2-T5W-32L-35-40K7-UPL-UNV	7001	140	B3-U5-G2	50
ORX-2-T5W-32L-35-50K7-UPL-UNV	7001	140	B3-U5-G2	50
ORX-2-T5W-32L-53-27K7-UPL-UNV	7932	112	B3-U5-G2	71
ORX-2-T5W-32L-53-30K7-UPL-UNV	9207	130	B3-U5-G2	71
ORX-2-T5W-32L-53-40K7-UPL-UNV	9443	133	B3-U5-G2	71
ORX-2-T5W-32L-53-50K7-UPL-UNV	9443	133	B3-U5-G2	71
ORX-2-T5W-32L-7-27K7-UPL-UNV	9627	106	B4-U5-G3	91
ORX-2-T5W-32L-7-30K7-UPL-UNV	11174	123	B4-U5-G3	91
ORX-2-T5W-32L-7-40K7-UPL-UNV	11461	126	B4-U5-G3	91
ORX-2-T5W-32L-7-50K7-UPL-UNV	11461	126	B4-U5-G3	91
ORX-2-T5W-32L-1A-27K7-UPL-UNV	12305	101	B4-U5-G3	122
ORX-2-T5W-32L-1A-30K7-UPL-UNV	14283	117	B4-U5-G3	122
ORX-2-T5W-32L-1A-40K7-UPL-UNV	14649	120	B4-U5-G3	122
ORX-2-T5W-32L-1A-50K7-UPL-UNV	14649	120	B4-U5-G3	122
ORX-2-T5W-32L-1-27K7-UPL-UNV	12483	100	B4-U5-G3	125
ORX-2-T5W-32L-1-30K7-UPL-UNV	14489	116	B4-U5-G3	125
ORX-2-T5W-32L-1-40K7-UPL-UNV	14861	119	B4-U5-G3	125
ORX-2-T5W-32L-1-50K7-UPL-UNV	14861	119	B4-U5-G3	125

PRODUCT SPECIFICATIONS

BUG RATING CHARTS

ORX-2-CM-16L NO LENS

BUG RATING CHART - STANDARD SILICONE MICRO OPTICS - NO LENS				
PART NUMBER	T2	T3	T4	T5
ORX-2-CM-16L-40-27K7	B1-U0-G1	B1-U0-G1	B1-U0-G1	B1-U0-G0
ORX-2-CM-16L-40-27K8	B1-U0-G1	B1-U0-G1	B1-U0-G1	B1-U0-G0
ORX-2-CM-16L-40-30K7	B1-U0-G1	B1-U0-G1	B1-U0-G1	B1-U0-G1
ORX-2-CM-16L-40-30K8	B1-U0-G1	B1-U0-G1	B1-U0-G1	B1-U0-G1
ORX-2-CM-16L-40-35K8	B1-U0-G1	B1-U0-G1	B1-U0-G1	B1-U0-G1
ORX-2-CM-16L-40-40K7	B1-U0-G1	B1-U0-G1	B1-U0-G1	B1-U0-G1
ORX-2-CM-16L-40-40K8	B1-U0-G1	B1-U0-G1	B1-U0-G1	B1-U0-G1
ORX-2-CM-16L-40-50K7	B1-U0-G1	B1-U0-G1	B1-U0-G1	B1-U0-G1
ORX-2-CM-16L-40-50K8	B1-U0-G1	B1-U0-G1	B1-U0-G1	B1-U0-G1
ORX-2-CM-16L-53-27K7	B1-U0-G1	B1-U0-G1	B1-U0-G1	B2-U0-G1
ORX-2-CM-16L-53-27K8	B1-U0-G1	B1-U0-G1	B1-U0-G1	B2-U0-G1
ORX-2-CM-16L-53-30K7	B1-U0-G1	B1-U0-G1	B1-U0-G1	B2-U0-G1
ORX-2-CM-16L-53-30K8	B1-U0-G1	B1-U0-G1	B1-U0-G1	B2-U0-G1
ORX-2-CM-16L-53-35K8	B1-U0-G1	B1-U0-G1	B1-U0-G1	B2-U0-G1
ORX-2-CM-16L-53-40K7	B1-U0-G1	B1-U0-G1	B1-U0-G1	B2-U0-G1
ORX-2-CM-16L-53-40K8	B1-U0-G1	B1-U0-G1	B1-U0-G1	B2-U0-G1
ORX-2-CM-16L-53-50K7	B1-U0-G1	B1-U0-G1	B1-U0-G1	B2-U0-G1
ORX-2-CM-16L-53-50K8	B1-U0-G1	B1-U0-G1	B1-U0-G1	B2-U0-G1
ORX-2-CM-16L-7-27K7	B1-U0-G1	B1-U0-G1	B1-U0-G1	B2-U0-G1
ORX-2-CM-16L-7-27K8	B1-U0-G1	B1-U0-G1	B1-U0-G1	B2-U0-G1
ORX-2-CM-16L-7-30K7	B1-U0-G1	B1-U0-G1	B1-U0-G1	B2-U0-G1
ORX-2-CM-16L-7-30K8	B1-U0-G1	B1-U0-G1	B1-U0-G1	B2-U0-G1
ORX-2-CM-16L-7-35K8	B1-U0-G1	B1-U0-G1	B1-U0-G1	B2-U0-G1
ORX-2-CM-16L-7-40K7	B1-U0-G1	B1-U0-G1	B1-U0-G1	B2-U0-G1
ORX-2-CM-16L-7-40K8	B1-U0-G1	B1-U0-G1	B1-U0-G1	B2-U0-G1
ORX-2-CM-16L-7-50K7	B1-U0-G1	B1-U0-G1	B1-U0-G1	B2-U0-G1
ORX-2-CM-16L-7-50K8	B1-U0-G1	B1-U0-G1	B1-U0-G1	B2-U0-G1
ORX-2-CM-16L-1-27K7	B1-U0-G1	B1-U0-G1	B1-U0-G1	B3-U0-G1
ORX-2-CM-16L-1-27K8	B1-U0-G1	B1-U0-G1	B1-U0-G1	B3-U0-G1
ORX-2-CM-16L-1-30K7	B1-U0-G1	B1-U0-G1	B1-U0-G1	B3-U0-G1
ORX-2-CM-16L-1-30K8	B1-U0-G1	B1-U0-G1	B1-U0-G1	B3-U0-G1
ORX-2-CM-16L-1-35K8	B1-U0-G1	B1-U0-G1	B1-U0-G1	B3-U0-G1
ORX-2-CM-16L-1-40K7	B1-U0-G1	B1-U0-G1	B1-U0-G1	B3-U0-G1
ORX-2-CM-16L-1-40K8	B1-U0-G1	B1-U0-G1	B1-U0-G1	B3-U0-G1
ORX-2-CM-16L-1-50K7	B1-U0-G1	B1-U0-G1	B1-U0-G1	B3-U0-G1
ORX-2-CM-16L-1-50K8	B1-U0-G1	B1-U0-G1	B1-U0-G1	B3-U0-G1

BUG RATING CHART - PERFORMANCE SILICONE MICRO OPTICS				
PART NUMBER	T4FTW	T4W CTG	T5W	T5W CTG
ORX-2-CM-16L-40-27K7	B1-U0-G2	B1-U0-G1	B2-U0-G1	B2-U0-G1
ORX-2-CM-16L-40-27K8	B1-U0-G2	B1-U0-G1	B2-U0-G1	B2-U0-G1
ORX-2-CM-16L-40-30K7	B1-U0-G2	B1-U0-G2	B2-U0-G1	B2-U0-G1
ORX-2-CM-16L-40-30K8	B1-U0-G2	B1-U0-G2	B2-U0-G1	B2-U0-G1
ORX-2-CM-16L-40-35K8	B1-U0-G2	B1-U0-G2	B2-U0-G1	B2-U0-G1
ORX-2-CM-16L-40-40K7	B1-U0-G2	B1-U0-G2	B2-U0-G1	B2-U0-G1
ORX-2-CM-16L-40-40K8	B1-U0-G2	B1-U0-G2	B2-U0-G1	B2-U0-G1
ORX-2-CM-16L-40-50K7	B1-U0-G2	B1-U0-G2	B2-U0-G1	B2-U0-G1
ORX-2-CM-16L-40-50K8	B1-U0-G2	B1-U0-G2	B2-U0-G1	B2-U0-G1
ORX-2-CM-16L-53-27K7	B1-U0-G2	B1-U0-G2	B2-U0-G1	B2-U0-G1
ORX-2-CM-16L-53-27K8	B1-U0-G2	B1-U0-G2	B2-U0-G1	B2-U0-G1
ORX-2-CM-16L-53-30K7	B1-U0-G2	B1-U0-G2	B2-U0-G1	B2-U0-G1
ORX-2-CM-16L-53-30K8	B1-U0-G2	B1-U0-G2	B2-U0-G1	B2-U0-G1
ORX-2-CM-16L-53-35K8	B1-U0-G2	B1-U0-G2	B2-U0-G1	B2-U0-G1
ORX-2-CM-16L-53-40K7	B1-U0-G2	B1-U0-G2	B3-U0-G1	B2-U0-G1
ORX-2-CM-16L-53-40K8	B1-U0-G2	B1-U0-G2	B3-U0-G1	B2-U0-G1
ORX-2-CM-16L-53-50K7	B1-U0-G2	B1-U0-G2	B3-U0-G1	B2-U0-G1
ORX-2-CM-16L-53-50K8	B1-U0-G2	B1-U0-G2	B3-U0-G1	B2-U0-G1
ORX-2-CM-16L-7-27K7	B1-U0-G2	B1-U0-G2	B3-U0-G2	B2-U0-G1
ORX-2-CM-16L-7-27K8	B1-U0-G2	B1-U0-G2	B3-U0-G2	B2-U0-G1
ORX-2-CM-16L-7-30K7	B1-U0-G2	B1-U0-G2	B3-U0-G2	B3-U0-G1
ORX-2-CM-16L-7-30K8	B1-U0-G2	B1-U0-G2	B3-U0-G2	B3-U0-G1
ORX-2-CM-16L-7-35K8	B1-U0-G2	B1-U0-G2	B3-U0-G2	B3-U0-G1
ORX-2-CM-16L-7-40K7	B1-U0-G2	B1-U0-G2	B3-U0-G2	B3-U0-G2
ORX-2-CM-16L-7-40K8	B1-U0-G2	B1-U0-G2	B3-U0-G2	B3-U0-G2
ORX-2-CM-16L-7-50K7	B1-U0-G2	B1-U0-G2	B3-U0-G2	B3-U0-G2
ORX-2-CM-16L-7-50K8	B1-U0-G2	B1-U0-G2	B3-U0-G2	B3-U0-G2
ORX-2-CM-16L-1-27K7	B1-U0-G3	NA	B3-U0-G2	NA
ORX-2-CM-16L-1-27K8	B1-U0-G3	NA	B3-U0-G2	NA
ORX-2-CM-16L-1-30K7	B1-U0-G3	NA	B3-U0-G2	NA
ORX-2-CM-16L-1-30K8	B1-U0-G3	NA	B3-U0-G2	NA
ORX-2-CM-16L-1-35K8	B1-U0-G3	NA	B3-U0-G2	NA
ORX-2-CM-16L-1-40K7	B1-U0-G3	NA	B3-U0-G2	NA
ORX-2-CM-16L-1-40K8	B1-U0-G3	NA	B3-U0-G2	NA
ORX-2-CM-16L-1-50K7	B1-U0-G3	NA	B3-U0-G2	NA
ORX-2-CM-16L-1-50K8	B1-U0-G3	NA	B3-U0-G2	NA

PRODUCT SPECIFICATIONS

ORX-2-CM-64L NO LENS

BUG RATING CHART - STANDARD SILICONE MICRO OPTICS - NO LENS				
PART NUMBER	T2	T3	T4	T5
ORX-2-CM-64L-35-27K7	B1-U0-G1	B2-U0-G2	B2-U0-G2	B3-U0-G1
ORX-2-CM-64L-35-27K8	B1-U0-G1	B2-U0-G2	B1-U0-G2	B3-U0-G1
ORX-2-CM-64L-35-30K7	B1-U0-G1	B2-U0-G2	B2-U0-G2	B3-U0-G1
ORX-2-CM-64L-35-30K8	B1-U0-G1	B2-U0-G2	B2-U0-G2	B3-U0-G1
ORX-2-CM-64L-35-35K8	B1-U0-G1	B2-U0-G2	B2-U0-G2	B3-U0-G1
ORX-2-CM-64L-35-40K7	B2-U0-G2	B2-U0-G2	B2-U0-G2	B3-U0-G2
ORX-2-CM-64L-35-40K8	B1-U0-G1	B2-U0-G2	B2-U0-G2	B3-U0-G1
ORX-2-CM-64L-35-50K7	B2-U0-G2	B2-U0-G2	B2-U0-G2	B3-U0-G2
ORX-2-CM-64L-35-50K8	B1-U0-G1	B2-U0-G2	B2-U0-G2	B3-U0-G1
ORX-2-CM-64L-53-27K7	B2-U0-G2	B2-U0-G2	B2-U0-G2	B4-U0-G2
ORX-2-CM-64L-53-27K8	B2-U0-G2	B2-U0-G2	B2-U0-G2	B4-U0-G2
ORX-2-CM-64L-53-30K7	B2-U0-G2	B2-U0-G2	B2-U0-G2	B4-U0-G2
ORX-2-CM-64L-53-30K8	B2-U0-G2	B2-U0-G2	B2-U0-G2	B4-U0-G2
ORX-2-CM-64L-53-35K8	B2-U0-G2	B2-U0-G2	B2-U0-G2	B4-U0-G2
ORX-2-CM-64L-53-40K7	B2-U0-G2	B2-U0-G2	B2-U0-G2	B4-U0-G2
ORX-2-CM-64L-53-40K8	B2-U0-G2	B2-U0-G2	B2-U0-G2	B4-U0-G2
ORX-2-CM-64L-53-50K7	B2-U0-G2	B2-U0-G2	B2-U0-G2	B4-U0-G2
ORX-2-CM-64L-53-50K8	B2-U0-G2	B2-U0-G2	B2-U0-G2	B4-U0-G2
ORX-2-CM-64L-7-27K7	B2-U0-G2	B3-U0-G3	B3-U0-G3	B4-U0-G2
ORX-2-CM-64L-7-27K8	B2-U0-G2	B3-U0-G3	B2-U0-G2	B4-U0-G2
ORX-2-CM-64L-7-30K7	B2-U0-G2	B3-U0-G3	B3-U0-G3	B4-U0-G2
ORX-2-CM-64L-7-30K8	B2-U0-G2	B3-U0-G3	B3-U0-G3	B4-U0-G2
ORX-2-CM-64L-7-35K8	B2-U0-G2	B3-U0-G3	B3-U0-G3	B4-U0-G2
ORX-2-CM-64L-7-40K7	B3-U0-G3	B3-U0-G3	B3-U0-G3	B4-U0-G2
ORX-2-CM-64L-7-40K8	B2-U0-G2	B3-U0-G3	B3-U0-G3	B4-U0-G2
ORX-2-CM-64L-7-50K7	B3-U0-G3	B3-U0-G3	B3-U0-G3	B4-U0-G2
ORX-2-CM-64L-7-50K8	B2-U0-G2	B3-U0-G3	B3-U0-G3	B4-U0-G2
ORX-2-CM-64L-1A-27K7	B3-U0-G3	B3-U0-G3	B3-U0-G3	B4-U0-G2
ORX-2-CM-64L-1A-27K8	B3-U0-G3	B3-U0-G3	B3-U0-G3	B4-U0-G2
ORX-2-CM-64L-1A-30K7	B3-U0-G3	B3-U0-G3	B3-U0-G3	B4-U0-G2
ORX-2-CM-64L-1A-30K8	B3-U0-G3	B3-U0-G3	B3-U0-G3	B4-U0-G2
ORX-2-CM-64L-1A-35K8	B3-U0-G3	B3-U0-G3	B3-U0-G3	B4-U0-G2
ORX-2-CM-64L-1A-40K7	B3-U0-G3	B3-U0-G3	B3-U0-G3	B4-U0-G2
ORX-2-CM-64L-1A-40K8	B3-U0-G3	B3-U0-G3	B3-U0-G3	B4-U0-G2
ORX-2-CM-64L-1A-50K7	B3-U0-G3	B3-U0-G3	B3-U0-G3	B4-U0-G2
ORX-2-CM-64L-1A-50K8	B3-U0-G3	B3-U0-G3	B3-U0-G3	B4-U0-G2

BUG RATING CHART - PERFORMANCE SILICONE MICRO OPTICS				
PART NUMBER	T4FTW	T4W CTG	T5W	T5W CTG
ORX-2-CM-64L-35-27K7	B2-U0-G2	B1-U0-G2	B3-U0-G2	B3-U0-G2
ORX-2-CM-64L-35-27K8	B2-U0-G2	B1-U0-G2	B3-U0-G2	B3-U0-G2
ORX-2-CM-64L-35-30K7	B2-U0-G2	B1-U0-G2	B4-U0-G2	B3-U0-G2
ORX-2-CM-64L-35-30K8	B2-U0-G2	B1-U0-G2	B4-U0-G2	B3-U0-G2
ORX-2-CM-64L-35-35K8	B2-U0-G2	B1-U0-G2	B4-U0-G2	B3-U0-G2
ORX-2-CM-64L-35-40K7	B2-U0-G2	B2-U0-G2	B4-U0-G2	B3-U0-G2
ORX-2-CM-64L-35-40K8	B2-U0-G2	B2-U0-G2	B4-U0-G2	B3-U0-G2
ORX-2-CM-64L-35-50K7	B2-U0-G2	B2-U0-G2	B4-U0-G2	B3-U0-G2
ORX-2-CM-64L-35-50K8	B2-U0-G2	B2-U0-G2	B4-U0-G2	B3-U0-G2
ORX-2-CM-64L-53-27K7	B2-U0-G3	B2-U0-G2	B4-U0-G3	B4-U0-G2
ORX-2-CM-64L-53-27K8	B2-U0-G3	B2-U0-G2	B4-U0-G3	B4-U0-G2
ORX-2-CM-64L-53-30K7	B2-U0-G3	B2-U0-G2	B4-U0-G3	B4-U0-G2
ORX-2-CM-64L-53-30K8	B2-U0-G3	B2-U0-G2	B4-U0-G3	B4-U0-G2
ORX-2-CM-64L-53-35K8	B2-U0-G3	B2-U0-G2	B4-U0-G3	B4-U0-G2
ORX-2-CM-64L-53-40K7	B2-U0-G3	B2-U0-G3	B4-U0-G3	B4-U0-G3
ORX-2-CM-64L-53-40K8	B2-U0-G3	B2-U0-G3	B4-U0-G3	B4-U0-G3
ORX-2-CM-64L-53-50K7	B2-U0-G3	B2-U0-G3	B4-U0-G3	B4-U0-G3
ORX-2-CM-64L-53-50K8	B2-U0-G3	B2-U0-G3	B4-U0-G3	B4-U0-G3
ORX-2-CM-64L-7-27K7	B2-U0-G3	B2-U0-G3	B4-U0-G3	B4-U0-G2
ORX-2-CM-64L-7-27K8	B2-U0-G3	B2-U0-G3	B4-U0-G3	B4-U0-G2
ORX-2-CM-64L-7-30K7	B2-U0-G3	B2-U0-G3	B5-U0-G3	B4-U0-G2
ORX-2-CM-64L-7-30K8	B2-U0-G3	B2-U0-G3	B5-U0-G3	B4-U0-G2
ORX-2-CM-64L-7-35K8	B2-U0-G3	B2-U0-G3	B5-U0-G3	B4-U0-G2
ORX-2-CM-64L-7-40K7	B3-U0-G3	B2-U0-G3	B5-U0-G3	B4-U0-G2
ORX-2-CM-64L-7-40K8	B3-U0-G3	B2-U0-G3	B5-U0-G3	B4-U0-G2
ORX-2-CM-64L-7-50K7	B3-U0-G3	B2-U0-G3	B5-U0-G3	B4-U0-G2
ORX-2-CM-64L-7-50K8	B3-U0-G3	B2-U0-G3	B5-U0-G3	B4-U0-G2
ORX-2-CM-64L-1A-27K7	B3-U0-G3	NA	B5-U0-G3	NA
ORX-2-CM-64L-1A-27K8	B3-U0-G3	NA	B5-U0-G3	NA
ORX-2-CM-64L-1A-30K7	B3-U0-G4	NA	B5-U0-G3	NA
ORX-2-CM-64L-1A-30K8	B3-U0-G4	NA	B5-U0-G3	NA
ORX-2-CM-64L-1A-35K8	B3-U0-G4	NA	B5-U0-G3	NA
ORX-2-CM-64L-1A-40K7	B3-U0-G4	NA	B5-U0-G3	NA
ORX-2-CM-64L-1A-40K8	B3-U0-G4	NA	B5-U0-G3	NA
ORX-2-CM-64L-1A-50K7	B3-U0-G4	NA	B5-U0-G3	NA
ORX-2-CM-64L-1A-50K8	B3-U0-G4	NA	B5-U0-G3	NA

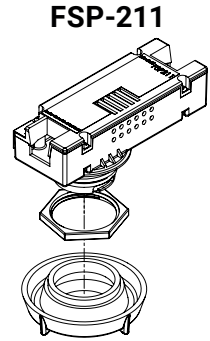
PRODUCT SPECIFICATIONS

CONTROL OPTIONS

- DIMMING CONTROL (FSP)—Passive infrared (PIR) sensor providing multi-level control based on motion/daylight contribution
- All control parameters adjustable via wireless configuration remote storing and transmitting sensor profiles.
- FSP-8 mounting heights 8 feet and below
- FSP-20 mounting heights 9-20 feet.
- FSP-40 mounting heights 21-40 feet.
- Includes 5 dimming event cycles, 0-10V dimming with motion sensing, re-programmable in the field.

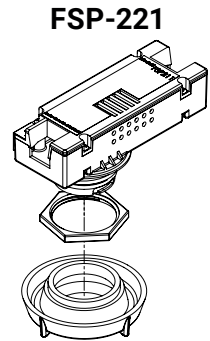
FSP-211 WITH MOTION SENSOR (FSP-XX)

- FSP-211(FSP-X)—Passive infrared (PIR) sensor providing multi-level control based on motion/daylight contribution.
- 120/277VAC, 230-240VAC
- All control parameters adjustable via wireless configuration remote storing and transmitting sensor profiles.
- FSP-8 mounting heights 8 feet and below
- FSP-20 mounting heights 9-20 feet.
- FSP-40 mounting heights 21-40 feet.
- Includes 5 dimming event cycles, 0-10V dimming with motion sensing, re-programmable in the field.

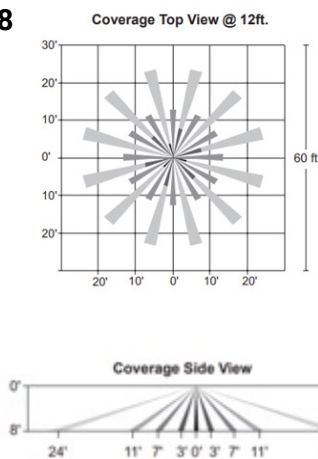


FSP-221 WITH MOTION SENSOR (FSP-HV-XX)

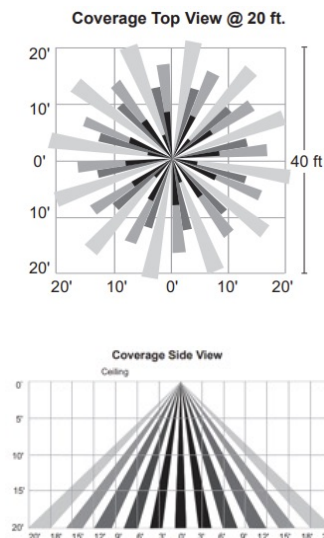
- FSP-221 (FSP-HV-X)—Passive infrared (PIR) sensor providing multi-level control based on motion/daylight contribution.
- 100-347VAC 208/230/480VAC
- All control parameters adjustable via wireless configuration remote storing and transmitting sensor profiles.
- FSP-8 mounting heights 8 feet and below
- FSP-20 mounting heights 9-20 feet.
- FSP-40 mounting heights 21-40 feet.
- Includes 5 dimming event cycles, 0-10V dimming with motion sensing, re-programmable in the field.



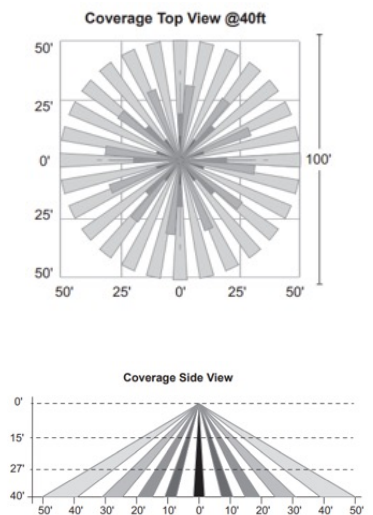
FSP-8



FSP-20



FSP-40

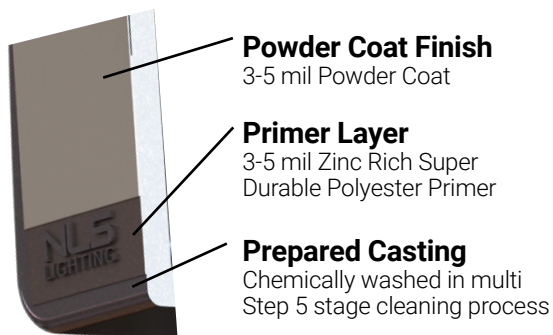


PRODUCT SPECIFICATIONS

MARINE GRADE FINISH (MGF)

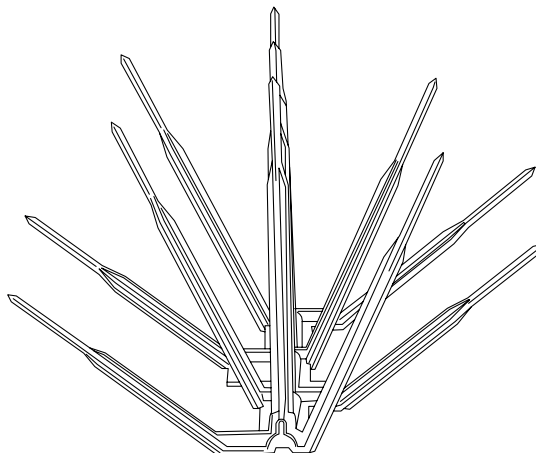
The (MGF) is a multi step process. Chemically washed in a 5 stage cleaning system. Pre-baked. Powder coated 3-5 mils of Zinc Rich Super Durable Polyester Primer. Oven Baked.

Finished Powder Coating of Super Durable Polyester Powder Coat 3-5 mil thickness.



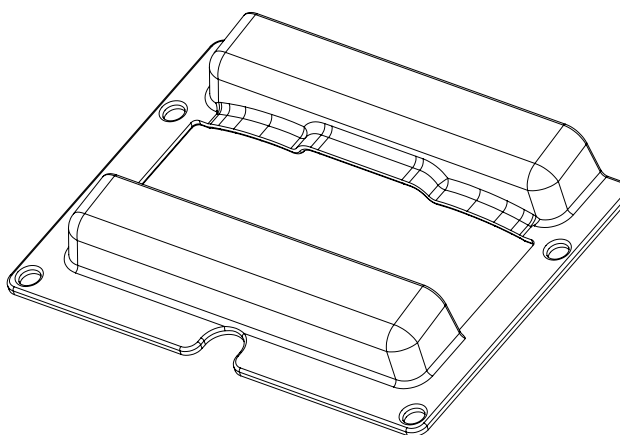
BIRD SPIKES (BS)

Bird Deterrent offers effective and humane deterrent for larger bird species and provides cost-effective long-term solution to nuisance bird infestations and protect your property.



HOUSE SIDE SHIELD (HSS)

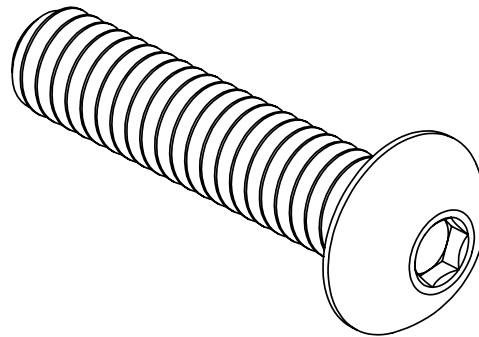
House Side Shield (HSS) is designed for stringent property line cutoff. Injection Molded Glass Filled Nylon, standard finish is black.



PRODUCT SPECIFICATIONS

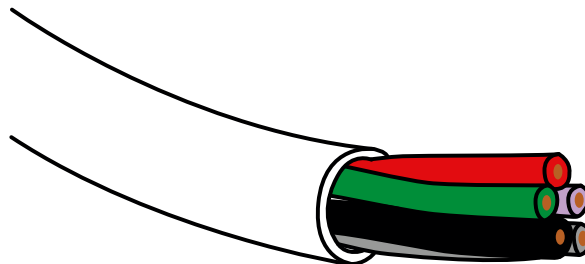
TAMPER PROOF HARDWARE

316 Stainless Steel Button Head Hex Drive Screws. Provided to protect the optical assembly and the driver compartment for vandal resistance.



5 CONDUCTOR DIMMING LEADS

Standard Dimming Leads exiting the fixture for external dimming control.



BLACK OPTIC FRAME

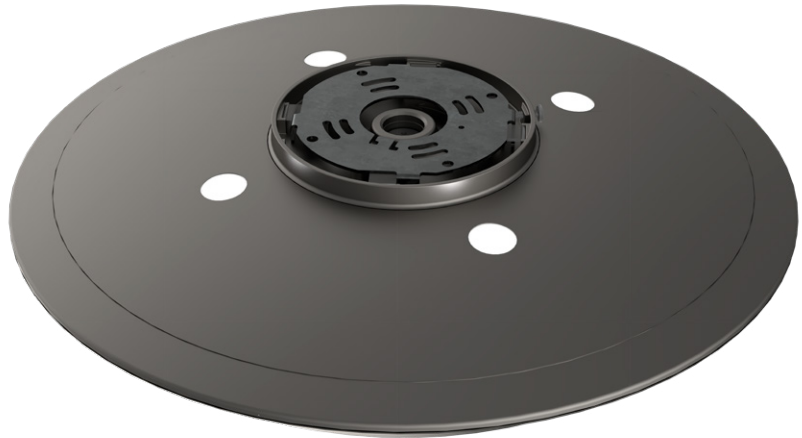
Optional Black Optic Frame (includes black hardware) Standard Optic Frame is white.



PRODUCT SPECIFICATIONS

UP LIGHT

Optional Up Light.

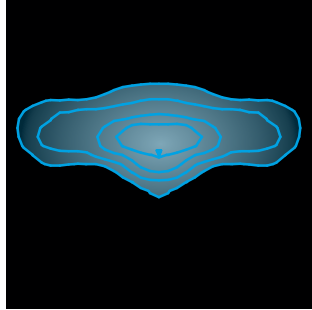
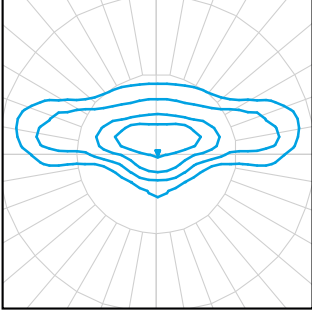


SENSOR SPECIFICATION



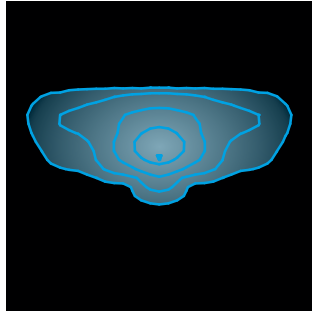
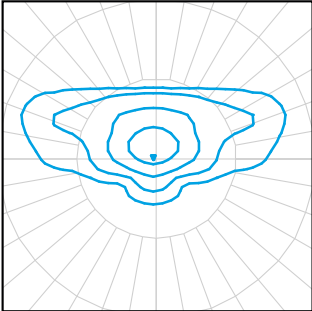
PRODUCT SPECIFICATIONS

IES DISTRIBUTIONS



TE CONCENTRATED ENTRY

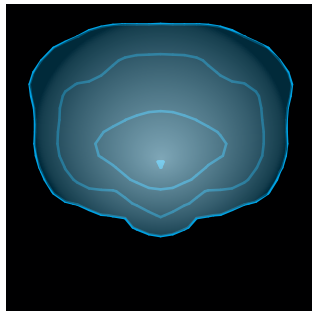
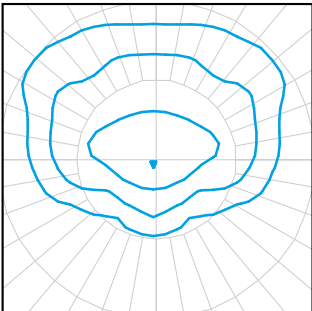
The T2RF distribution is used for narrow pathways and trails, narrow entrances of shopping centers, parking lots and office complex's.



TYPE 3 DRIVE LANE

The T3DL distribution is meant for roadway lighting, general parking areas and other areas where a larger area of lighting is required. T3DL lighting needs to be placed to the side of the area, allowing the light to project outward and fill the area. This produces a filling light flow.

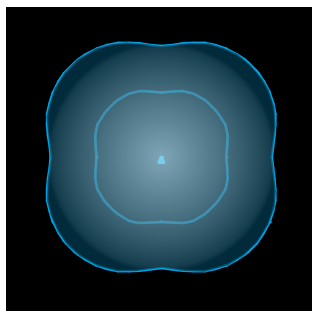
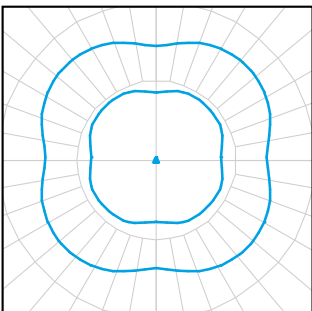
T3DL light distributions have a preferred lateral width of 40 degrees. This distribution is intended for luminaires mounted at or near the side of medium width roadways or areas, where the width of the roadway or area does not exceed 2.75 times the mounting height.



TYPE 4 MEDIUM

The T4M distribution produces a semicircular light meant for mounting on the sides of buildings and walls. It's best for illuminating the perimeter of parking areas and businesses. The intensity of the T4M lighting has the same intensity at angles from 90 degrees to 270 degrees.

T4M light distributions have a preferred lateral width of 60 degrees. This distribution is intended for side-of-road mounting and is generally used on wide roadways where the roadway width does not exceed 3.7 times the mounting height.



TYPE 5 OPTIMIZED

T5 produces a symmetrical distribution that has the same intensity at all angles. This distribution has a uniform symmetry of candlepower that is essentially the same at all lateral angles. It is meant for large, commercial parking lot lighting as well as areas where sufficient, evenly distributed light is necessary

SILICONE OPTICS

NLS Lighting Silicone Micro Optical System technology takes quality and performance to the highest level. Vandal resistant, superior clarity—Micro Optics have become the best and lasting solution in the industry.

BENEFITS

- Produces superior 96% clarity
- Heat resistant to 150° C, 50% higher than acrylic
- Ecologically friendly—no glare
- Vandal-resistant
- Does not brittle, crack, or yellow over time

