



* Arm Mount

LED WATTAGE CHART

Drive Current	Star Power Low Glare Optics	Silicone Micro Optics
	80L	80L
350 milliamps	85W (8,500 - 10,030 Lumens)	86W (8,430 - 12,900 Lumens)
530 milliamps	128W (12,800 - 15,104 Lumens)	130W (11,880 - 18,330 Lumens)
700 milliamps	168W (16,800 - 19,824 Lumens)	171W (14,367 - 22,401 Lumens)
1050 milliamps	263W (26,300 - 31,034 Lumens)	257W (21,255 - 33,153 Lumens)

The beautiful and simple CAL Family's LED Pedestrian Luminaires depict not only the California lifestyle, but the architecture of California as well. This ornamental piece is a delightful sight to see and a great model to illuminate any urban, rural, retail, or park, or campus setting.

The different caps and shades depict different California styles and a touch of California's historic Spanish mission era. The CAL Family is the perfect selection to combine both design and efficiency in light performance. Designed, tooled, manufactured and assembled in the USA.

BUY AMERICAN

To ensure the latest BAA/TAA/BABA Standards are being met, please select BAA, TAA, or BABA in the options section. Please contact the factory before placing an order for any NLS products requesting BAA (Buy American Act), TAA (Trade American Act), or BABA (Build America, Buy America).



STAR POWER™ OPTICAL SYSTEM

The Star Power™ reflector is an excellent system which provides great value and performance. Star Power Patent number: 10168023

Project Name:

Type:

CAL-2 ORDERING GUIDE

Cat#	Top	Shade	Light Dist.	# of LEDs	Drive Current	Color Temp/CRI
California Large 30" Diameter (CAL-2)	Top 1 (TP1)	Shade 1 (S1)	Standard Silicone Micro Optics Type 2 (T2)	80 LED's (80L)	350mA (35)	Amber LED 595nm Dominant Wavelength Standard Turtle Friendly (AMBER) ^{5,11,12}
	Top 2 (TP2)	Shade 6 (S6)	Type 3 (T3)		530mA (53)	Amber LED Phosphor Converted (AMBER/PC) ^{11,12}
	Top 3 (TP3)		Performance Silicone Micro Optics Type 4 Forward Throw Wide (T4FTW)		700mA (7)	2700K, 70 CRI (27K7) ^{2, 6}
			Type 5 Wide (T5W)		1050mA (1)	2700K, 80 CRI (27K8) ^{2, 6}
			Star Power Optical System Type 2 Low Glare (T2LG)			3000K, 70 CRI (30K7) ^{2, 6}
			Type 3 Low Glare (T3LG)			3000K, 80 CRI (30K8) ^{2, 6}
			Type 4 Low Glare (T4LG)			3500K, 80 CRI (35K8) ²
			Type 5 Low Glare (T5LG)			4000K, 70 CRI (40K7) ²
						4000K, 80 CRI (40K8) ²
						5000K, 70 CRI (50K7) ²
					5000K, 80 CRI (50K8) ²	
Voltage	Mounting	Color	Controls	Options		
120V-277V (UNV)	Architectural Arm Mount (AM) ³	Bronze Textured (BRZ)	Nema 7-Pin Receptacle (PE7) ^{4, 20}	FSP-211 with Motion Sensor/Photocell (120/277VAC, 230-240VAC) 8' Height (FSP211-8) ^{13, 15}	Bird Spikes (BS)	
347V-480V (HV)	Mast Arm Mount (MA)	White Textured (WHT)	Photocell + Receptacle (PCR) ^{4, 20}	9'-20' Heights (FSP211-20) ^{13, 15}	House Side Shield (HSS) ¹⁶	
	Wall Mount (WM)	Smooth White Gloss (SWT)	Receptacle + Shorting Cap (PER) ^{4, 20}	21'-40' Heights (FSP211-40) ^{13, 15}	Glass Lens (GL) ^{17, 19}	
	Architectural Arm Wall Mount (AAWM) ⁷	Silver Metallic (SVR)	Custom Controls Integration (CCI) ⁸	FSP-221 with Motion Sensor/Photocell (100/347VAC, 208/230/480VAC) 8' Height (FSP-HV-8) ^{14, 15}	HAL Lens (HAL) ^{18, 19}	
		Black Textured (BLK)	FSP Remote (FSIR) ¹⁵	9'-20' Heights (FSP-HV-20) ^{14, 15}	Diffused Polycarbonate Visual Comfort Lens (DPCL) ¹⁹	
		Smooth Black Gloss (SBK)	Button Photocell (PC) ⁴	21'-40' Heights (FSP-HV-40) ^{14, 15}	Marine Grade Finish (MGF)	
		Graphite Textured (GPH)			Buy American Act (BAA) ⁹	
		Grey Textured (GRY)			Trade Agreement Act (TAA) ⁹	
		Custom (CS)			Build America Buy American (BABA) ⁹	

NOTES:

- Consult Factory for Lead Time
- Consult Factory for 90 CRI Requests
- For Arm Mount, please select from the available arm mounts and enter it as a separate line item
- Universal Voltage 120V-277V
- Only Compatible with Arm Mount Architectural arms 2, 3, 7-11, 13-18
- 3000K or lower must be selected to meet International Dark Sky Association Certification
- For AAWM, please select an Architectural arm (AA**) separately
- Please contact Factory for Custom Control Integration requests (nLight, NX, WaveLinx, Crestron, DMX/RDM, Synapse, Casambi, DALI II or other control systems)
- Turtle Safe
- Consult Factory for all BAA/TAA/BABA requests
- Not available over 530mA
- Consult Factory for Lead Time and Estimated performance data
- FSP-211, 120V/277VAC (800W/1200W Max), 230-240VAC (300W Max), 50/60Hz Single Phase. Field/Site line voltage must be disclosed for project validation.
- FSP-221, 100-347VAC 50/60Hz Single Phase, 208/230/480VAC 50/60Hz Phase-to-Phase. 120VAC (800W Max), 230-240VAC (300W Max), 277/347/480VAC (1200W Max). Field/Site line voltage must be disclosed for project validation.
- Projects with sensors require Qty. 1 FSIR per project
- Not available with T5 or T5W
- Glass Lens: Low Iron Glass, fully tempered per ANSI C1047 (QCH-2201-37)
- HAL Lens: Yellow Polycarbonate Lens – less than 2% Blue Light Content
- Maximum of 700mA available with Lens options
- Only compatible with Arm Mount Arch Arms: 2, 3, 7-11, 13-18



701 Kingshill Place, Carson, CA 90746
Call Us Today (310) 341-2037

nlsighting.com

PRODUCT SPECIFICATIONS

HOUSING

Heavy Duty Marine Grade Cast and Spun Aluminum with 2 Shade options and 3 Top options

ELECTRICAL

- 120-277 Volts (UNV) or 347-480 Volts (HV)
- 0-10V dimming driver
- Driver power factor at maximum load is $\geq .95$, THD maximum load is 15%
- LED Drivers Ambient Temp. Min is -40°C and Ambient Temp. Max ranges from 50°C to 55°C and, in some cases, even higher. Consult the factory for revalidation by providing the fixture catalog string before quoting and specifying it.
- All internal wiring UL certified for 600 VAC and 105°C
- CRI 70, 80 or 90
- Color temperatures: Amber, 2700K, 3000K, 3500K, 4000K, 5000K
- Surge Protection: 20KA supplies as standard.

OPTIONS

- BIRD SPIKES (BS)—offers effective and humane deterrent for larger bird species and provides cost-effective long-term solution to nuisance bird infestations.
- MARINE GRADE FINISH (MGF)—A multi-step process creating protective finishing coat against harsh environments.
 - Chemically washed in a 5 stage cleaning system.
 - Pre-baked
 - Powder coated 3-5 mils of Zinc Rich Super Durable Polyester Primer.
 - 1-2 feet inside pole coverage top and bottom.
 - Oven Baked.
 - Finished Powder Coating of Super Durable Polyester Powder Coat 3-5 mil thickness.
- SHIELDS (HSS)—House Side Shield (HSS) is designed for full property line cut-off.

CONTROL OPTIONS

- **FSP-211 w/Motion Sensor/Photocell (120/277VAC, 230-240VAC)**
(FSP-X) - Passive infrared (PIR) sensor providing multi-level control based on motion/daylight contribution. Standard white finish.
- **FSP-221 w/Motion Sensor/Photocell (100-347VAC, 208/230/480VAC)**
(FSP-HV-X) - Passive infrared (PIR) sensor providing multi-level control based on motion/daylight contribution.
 - All control parameters adjustable via wireless configuration remote storing and transmitting sensor profiles.
 - FSP-8 mounting heights 8 feet and below
 - FSP-20 mounting heights 9-20 feet
 - FSP-40 mounting heights 21-40 feet
 - Includes 5 dimming event cycles, 0-10V dimming with motion sensing, re-programmable in the field.
 - FSIR-100 commissioning remote is required to change sensor settings. Please contact factory for ordering.
- Controls Agnostic: Please contact factory for your preferred controls option. (nLight, NX, WaveLinx, Crestron, DMX/RDM, Synapse, Casambi, Dali II, or other control systems)
- NEMA 7-PIN RECEPTACLE (PE7)—An ANSI C136.41-2013 receptacle provides electrical and mechanical interconnection between photo control cell and luminaire. Dimming receptacle available two or four dimming contacts supports 0-10 VDC dimming methods or Digital Addressable Lighting Interface (DALI), providing reliable power interconnect.
- PHOTOCCELL + RECEPTACLE (PCR)—7-Pin Receptacle and Electronic Twist Lock Photocell for dusk to dawn operation.
- RECEPTACLE + SHORTING CAP (PER)—7-Pin Receptacle and Shorting Cap.

FINISH

5 mils Powder Coat

WARRANTY

Standard Warranty is 5 years for Driver and LEDs

LISTINGS

- UL Listed in compliance with UL 1598, the Standard for Safety of Luminaires, including the applicable wet location requirements
- IDA Dark Sky Approved

BUY AMERICAN OPTION

While all of the NLS Lighting products listed in this document qualify for the Buy America(n) Act of 1933, we reserve the right to change our listings without notice.

The information provided above is for general informational purposes only. We encourage you to consult legal professionals for advice particular to your projects concerning BAA, TAA, BABA or Buy America.

Additional NLS Products that meet BAA, TAA standards can be found at the following link:

<https://nslighting.com/buy-american/>



The information and specifications on this document are subject to change without any notification. All values are design, nominal, typical or prorated values when measured under internal and external laboratory conditions.



701 Kingshill Place, Carson, CA 90746
Call Us Today (310) 341-2037

nslighting.com

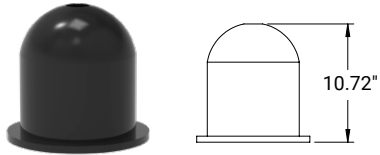
PRODUCT SPECIFICATIONS

PRODUCT CONFIGURATION

TOPS

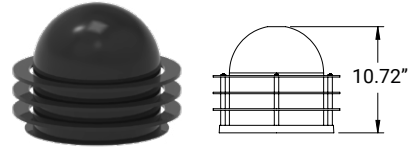
TOP 1

Smooth

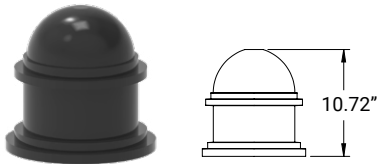


TOP 2

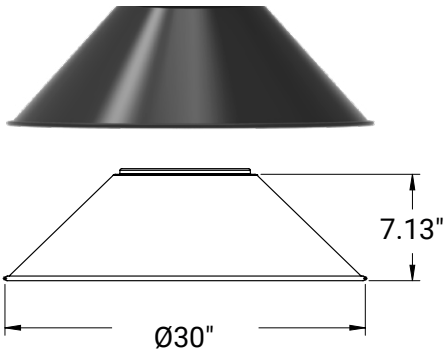
Alum. Rings



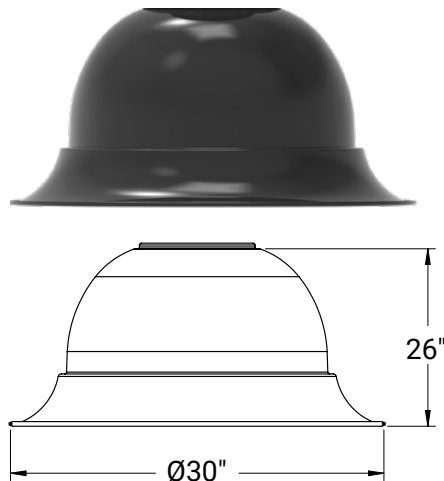
TOP 3



SHADES



SHADE 1



SHADE 6

CAL-2 FIXTURE CONFIGURATIONS - TOP 1

FIXTURE	CAL-2-TP1-S1	CAL-2-TP1-S6
EPA	1.08	1.30
WEIGHT (LBS)	43	43

CAL-2 FIXTURE CONFIGURATIONS - TOP 2

FIXTURE	CAL-2-TP2-S1	CAL-2-TP2-S6
EPA	1.09	1.31
WEIGHT (LBS)	43	43

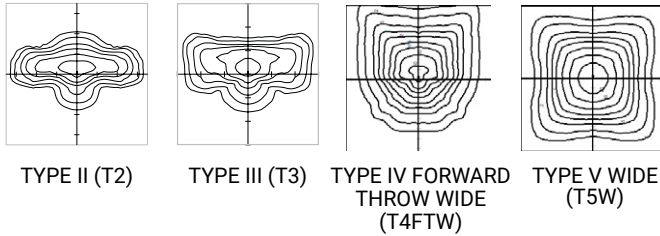
CAL-2 FIXTURE CONFIGURATIONS - TOP 3

FIXTURE	CAL-2-TP3-S1	CAL-2-TP3-S6
EPA	1.08	1.30
WEIGHT (LBS)	43	43

PRODUCT SPECIFICATIONS

OPTICS

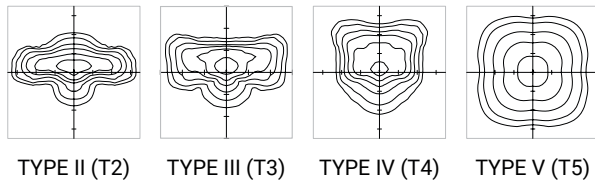
Silicone optics high photothermal stability and light output provides higher powered LEDs with minimized lumen depreciation LED life. UV and thermal stability with scratch resistance increases exterior application durability.
IES Types



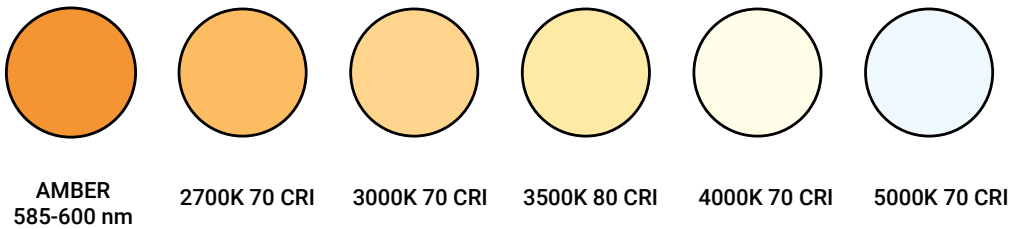
OPTICS

Star Power T2, T3, T4 and T5

- IES Types



LED KELVIN RANGE



Color	Dominant or Peak Wavelength Range (nm)	
	Minimum	Maximum
Amber	585	600

Lumen Maintenance Data							
Ambient Temperature	Drive Current	L90 Hours*	L70 Hours**	30,000 Hours*	50,000 Hours*	60,000 Hours*	100,000 Hours**
25°C	Up to 700mA	58,000	173,000	95.7%	91.6%	89.6%	82.1%
	1050mA	38,000	96,000	93.0%	85.4%	81.8%	68.8%
*Reported extrapolations per IESNA TM-21				**Projected extrapolations per IESNA TM-21			

Performance Plus Solution

What is "Performance Plus"?

Light Pattern Optimization + Lumen Maintenance Longevity + High Efficacy + Visual Comfort

Performance Plus solutions combine Performance Silicone Micro Optics with maximum LED count at lower drive currents. This strategy enhances luminaire efficiency, visual comfort, and the reduced maintenance costs already associated with NLS's Performance Silicone Micro Optics. It can also deliver an additional 20% in savings for both new construction and retrofit projects.



Performance Series Silicone Micro Optics

Maximum LED Count at Lower Drive Current

Do More With Less

New Construction:

Saves tens-to-hundreds of thousands of dollars in upfront project cost

Performance Silicone Micro Optics save end users thousands in material and installation costs by reducing the fixtures by an average of 15%. Efficient and precise Performance Silicone Micro Optics materially improve fixture spacing without sacrificing light levels.

Retrofit:

Saves tens-to-hundreds of thousands of dollars in project life cycle energy

Performance Silicone Micro Optics provide substantial energy savings, while markedly outperforming industry benchmarks for light output depreciation and illumination quality.



PRODUCT SPECIFICATIONS

LUMEN CHARTS

STAR POWER OPTICS													
PART NUMBER	T2	LM/W	BUG RATING	T3	LM/W	BUG RATING	T4	LM/W	BUG RATING	T5	LM/W	BUG RATING	WATTAGE
CAL-2-80L-35-30K7	8500	100	B2-U0-G2	8585	101	B2-U0-G2	8670	102	B2-U0-G2	9095	107	B3-U0-G2	85
CAL-2-80L-35-40K7	8840	104	B2-U0-G2	8925	105	B2-U0-G2	9010	106	B2-U0-G2	9520	112	B3-U0-G3	85
CAL-2-80L-35-50K7	9180	108	B2-U0-G2	9265	109	B2-U0-G2	9350	110	B2-U0-G2	10030	118	B3-U0-G3	85
CAL-2-80L-53-30K7	12800	100	B3-U0-G3	12928	101	B2-U0-G2	13056	102	B3-U0-G3	13696	107	B3-U0-G3	128
CAL-2-80L-53-40K7	13312	104	B3-U0-G3	13440	105	B3-U0-G3	13568	106	B3-U0-G3	14336	112	B3-U0-G3	128
CAL-2-80L-53-50K7	13824	108	B3-U0-G3	13952	109	B3-U0-G3	14080	110	B3-U0-G3	15104	118	B4-U0-G3	128
CAL-2-80L-7-30K7	16800	100	B3-U0-G3	16968	101	B3-U0-G3	17136	102	B3-U0-G3	17976	107	B4-U0-G3	168
CAL-2-80L-7-40K7	17472	104	B3-U0-G3	17640	105	B3-U0-G3	17808	106	B3-U0-G3	18816	112	B4-U0-G3	168
CAL-2-80L-7-50K7	18144	108	B3-U0-G3	18312	109	B3-U0-G3	18480	110	B3-U0-G3	19824	118	B4-U0-G3	168
CAL-2-80L-1-30K7	26300	100	B4-U0-G4	26563	101	B3-U0-G4	26826	102	B3-U0-G4	28141	107	B4-U0-G4	263
CAL-2-80L-1-40K7	27352	104	B4-U0-G4	27615	105	B3-U0-G4	27878	106	B3-U0-G4	29456	112	B4-U0-G4	263
CAL-2-80L-1-50K7	28404	108	B4-U0-G4	28667	109	B3-U0-G4	28930	110	B3-U0-G4	31034	118	B5-U0-G5	263

3000k or warmer must be selected to meet International Dark-Sky Association certification.

SILICONE MICRO OPTICS - 80 LED									
PART NUMBER	T2	LPW	T3	LPW	T4FTW	LPW	T5W	LPW	WATTAGE
CAL-2-80L-35-27K7	10764	125	10692	124	9608	112	10836	126	86
CAL-2-80L-35-27K8	9444	110	9381	109	8430	98	9507	111	86
CAL-2-80L-35-30K7	12494	145	12410	144	11152	130	12578	146	86
CAL-2-80L-35-30K8	9944	116	9877	115	8876	103	10010	116	86
CAL-2-80L-35-35K8	10251	119	10182	118	9150	106	10320	120	86
CAL-2-80L-35-40K7	12814	149	12728	148	11438	133	12900	150	86
CAL-2-80L-35-40K8	10636	124	10564	123	9494	110	10707	125	86
CAL-2-80L-35-50K7	12814	149	12728	148	11438	133	12900	150	86
CAL-2-80L-35-50K8	10636	124	10564	123	9494	110	10707	125	86
CAL-2-80L-53-27K7	15288	118	15179	117	13541	104	15397	118	130
CAL-2-80L-53-27K8	13413	103	13318	102	11880	91	13509	104	130
CAL-2-80L-53-30K7	17745	137	17618	136	15717	121	17872	137	130
CAL-2-80L-53-30K8	14123	109	14022	108	12509	96	14224	109	130
CAL-2-80L-53-35K8	14560	112	14456	111	12896	99	14664	113	130
CAL-2-80L-53-40K7	18200	140	18070	139	16120	124	18330	141	130
CAL-2-80L-53-40K8	15106	116	14998	115	13380	103	15214	117	130
CAL-2-80L-53-50K7	18200	140	18070	139	16120	124	18330	141	130
CAL-2-80L-53-50K8	15106	116	14998	115	13380	103	15214	117	130
CAL-2-80L-7-27K7	18673	109	18530	108	16375	96	18817	110	171
CAL-2-80L-7-27K8	16384	96	16257	95	14367	84	16510	97	171
CAL-2-80L-7-30K7	21674	127	21508	126	19007	111	21841	128	171
CAL-2-80L-7-30K8	17250	101	17118	100	15127	88	17383	102	171
CAL-2-80L-7-35K8	17784	104	17647	103	15595	91	17921	105	171
CAL-2-80L-7-40K7	22230	130	22059	129	19494	114	22401	131	171
CAL-2-80L-7-40K8	18451	108	18309	107	16180	95	18593	109	171
CAL-2-80L-7-50K7	22230	130	22059	129	19494	114	22401	131	171
CAL-2-80L-7-50K8	18451	108	18309	107	16180	95	18593	109	171
CAL-2-80L-1-27K7	27586	107	27417	107	24226	94	27849	108	257
CAL-2-80L-1-27K8	24204	94	24055	94	21255	83	24434	95	257
CAL-2-80L-1-30K7	32020	125	31823	124	28119	109	32324	126	257
CAL-2-80L-1-30K8	25485	99	25328	99	22380	87	25727	100	257
CAL-2-80L-1-35K8	26273	102	26111	102	23072	90	26522	103	257
CAL-2-80L-1-40K7	32841	128	32639	127	28840	112	33153	129	257
CAL-2-80L-1-40K8	27258	106	27090	105	23937	93	27517	107	257
CAL-2-80L-1-50K7	32841	128	32639	127	28840	112	33153	129	257
CAL-2-80L-1-50K8	27258	106	27090	105	23937	93	27517	107	257



701 Kingshill Place, Carson, CA 90746
Call Us Today (310) 341-2037

nlsighting.com

PRODUCT SPECIFICATIONS

BUG CHARTS

SILICONE MICRO OPTICS				
PART NUMBER	T2	T3	T4FTW	T5W
CAL-2-80L-35-27K7	B2-U0-G2	B3-U0-G3	B2-U0-G3	B4-U0-G3
CAL-2-80L-35-27K8	B2-U0-G2	B3-U0-G3	B2-U0-G3	B4-U0-G3
CAL-2-80L-35-30K7	B2-U0-G2	B3-U0-G3	B2-U0-G3	B4-U0-G3
CAL-2-80L-35-30K8	B2-U0-G2	B3-U0-G3	B2-U0-G3	B4-U0-G3
CAL-2-80L-35-35K8	B2-U0-G2	B3-U0-G3	B2-U0-G3	B4-U0-G3
CAL-2-80L-35-40K7	B2-U0-G2	B3-U0-G3	B2-U0-G3	B4-U0-G3
CAL-2-80L-35-40K8	B2-U0-G2	B3-U0-G3	B2-U0-G3	B4-U0-G3
CAL-2-80L-35-50K7	B2-U0-G2	B3-U0-G3	B2-U0-G3	B4-U0-G3
CAL-2-80L-35-50K8	B2-U0-G2	B3-U0-G3	B2-U0-G3	B4-U0-G3
CAL-2-80L-53-27K7	B3-U0-G3	B3-U0-G3	B2-U0-G4	B4-U0-G3
CAL-2-80L-53-27K8	B2-U0-G2	B3-U0-G3	B2-U0-G3	B4-U0-G3
CAL-2-80L-53-30K7	B3-U0-G3	B3-U0-G3	B3-U0-G4	B5-U0-G3
CAL-2-80L-53-30K8	B3-U0-G3	B3-U0-G3	B2-U0-G4	B4-U0-G3
CAL-2-80L-53-35K8	B3-U0-G3	B3-U0-G3	B2-U0-G4	B4-U0-G3
CAL-2-80L-53-40K7	B3-U0-G3	B3-U0-G3	B3-U0-G4	B5-U0-G3
CAL-2-80L-53-40K8	B3-U0-G3	B3-U0-G3	B2-U0-G4	B4-U0-G3
CAL-2-80L-53-50K7	B3-U0-G3	B3-U0-G3	B3-U0-G4	B5-U0-G3
CAL-2-80L-53-50K8	B3-U0-G3	B3-U0-G3	B2-U0-G4	B4-U0-G3
CAL-2-80L-7-27K7	B3-U0-G3	B3-U0-G3	B3-U0-G4	B5-U0-G3
CAL-2-80L-7-27K8	B3-U0-G3	B3-U0-G3	B3-U0-G4	B4-U0-G3
CAL-2-80L-7-30K7	B3-U0-G3	B3-U0-G3	B3-U0-G5	B5-U0-G4
CAL-2-80L-7-30K8	B3-U0-G3	B3-U0-G3	B3-U0-G4	B5-U0-G3
CAL-2-80L-7-35K8	B3-U0-G3	B3-U0-G3	B3-U0-G4	B5-U0-G3
CAL-2-80L-7-40K7	B3-U0-G3	B3-U0-G3	B3-U0-G5	B5-U0-G4
CAL-2-80L-7-40K8	B3-U0-G3	B3-U0-G3	B3-U0-G4	B5-U0-G3
CAL-2-80L-7-50K7	B3-U0-G3	B3-U0-G3	B3-U0-G5	B5-U0-G4
CAL-2-80L-7-50K8	B3-U0-G3	B3-U0-G3	B3-U0-G4	B5-U0-G3
CAL-2-80L-1-27K7	B3-U0-G3	B3-U0-G3	B3-U0-G5	B5-U0-G4
CAL-2-80L-1-27K8	B3-U0-G3	B3-U0-G3	B3-U0-G5	B5-U0-G4
CAL-2-80L-1-30K7	B3-U0-G4	B4-U0-G4	B3-U0-G5	B5-U0-G5
CAL-2-80L-1-30K8	B3-U0-G3	B3-U0-G3	B3-U0-G5	B5-U0-G4
CAL-2-80L-1-35K8	B3-U0-G3	B3-U0-G3	B3-U0-G5	B5-U0-G4
CAL-2-80L-1-40K7	B3-U0-G4	B4-U0-G4	B3-U0-G5	B5-U0-G5
CAL-2-80L-1-40K8	B3-U0-G3	B3-U0-G3	B3-U0-G5	B5-U0-G4
CAL-2-80L-1-50K7	B3-U0-G4	B4-U0-G4	B3-U0-G5	B5-U0-G5
CAL-2-80L-1-50K8	B3-U0-G3	B3-U0-G3	B3-U0-G5	B5-U0-G4

PRODUCT SPECIFICATIONS

CAL - 2 ARM OPTIONS



ARCHITECTURAL ARM 1



ARCHITECTURAL ARM 2



ARCHITECTURAL ARM 3



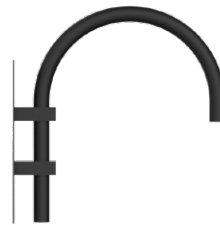
ARCHITECTURAL ARM 4



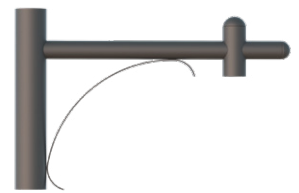
ARCHITECTURAL ARM 5



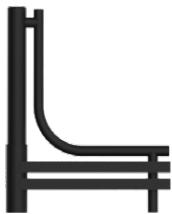
ARCHITECTURAL ARM 6



ARCHITECTURAL ARM 7



ARCHITECTURAL ARM 8



ARCHITECTURAL ARM 10



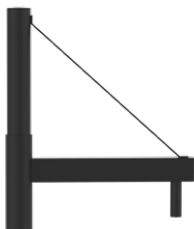
ARCHITECTURAL ARM 15



ARCHITECTURAL ARM 16



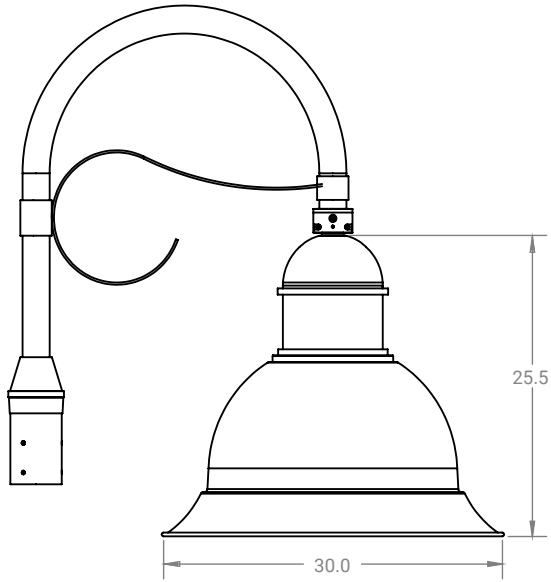
ARCHITECTURAL ARM 17



ARCHITECTURAL ARM 18

PRODUCT SPECIFICATIONS

CAL-2 ARM MOUNT

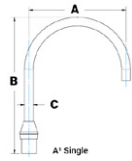
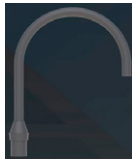


CAL-2 SENSOR LOCATION



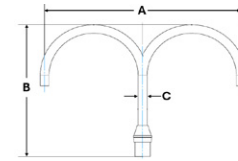
PRODUCT SPECIFICATIONS

CAL - 2 ARM OPTIONS



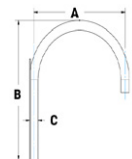
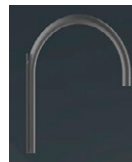
SINGLE ARMS

MODEL	A	B	EPA	WEIGHT (lbs)
A1-XL-SGL	26"	38"	1.80	9.91
A2-XL-SGL	26"	38"	0.68	23.66
A3-XL-SGL	26"	38"	0.70	17.32
A8-L-SGL	26"	23"	1.30	11.65
A10-L-SGL	26"	36"	2.47	24.08
A11-SGL	24"	40"	1.00	20.18
A13-L-SGL	16"	12"	0.87	8.45
A14-L-SGL	26"	24"	0.51	8.03
A15-L-SGL	60"	28"	0.82	14.57
A16-L-SGL	60"	28"	0.74	12.81
A16-XL-SGL	72"	28"	0.82	14.18
A16-XXL-SGL	84"	28"	0.94	13.80
A17-L-SGL	26"	38"	0.95	17.70
A18-L-SGL	26"	36"	2.26	18.58



DOUBLE ARMS

MODEL	A	B	EPA	WEIGHT (lbs)
A1-XL-D180	52"	38"	3.00	17.33
A2-XL-D180	52"	38"	1.22	47.33
A3-XL-D180	52"	38"	1.27	34.64
A8-L-D180	52"	23"	2.00	16.46
A10-L-D180	52"	36"	3.97	59.08
A11-D180	48"	40"	1.33	40.26
A13-L-D180	32"	12"	1.15	22.32
A14-L-D180	52"	18"	0.78	16.08
A15-L-D180	120"	28"	1.37	24.18
A16-L-D180	120"	28"	1.21	21.01
A16-XL-D180	144"	28"	1.37	23.99
A16-XXL-D180	168"	28"	1.57	22.64
A17-L-D180	52"	38"	1.41	26.89
A18-L-D180	52"	36"	3.15	24.02



WALL ARMS

MODEL	A	B	EPA	WEIGHT (lbs)
A1-XL-WM	26"	38"	1.20	11.21
A2-XL-WM	26"	38"	0.64	20.50
A3-XL-WM	26"	38"	0.67	26.19
A8-L-WM	26"	23"	0.65	8.07
A10-L-WM	26"	36"	1.63	31.39
A11-WM	24"	40"		9.05
A13-L-WM	16"	12"	0.74	8.40
A14-L-WM	26"	24"	0.64	7.52
A15-L-WM	60"	28"		
A16-L-WM	60"	28"		
A16-XL-WM	72"	28"		
A16-XXL-WM	84"	28"		
A17-L-WM	26"	38"	0.56	14.18
A18-L-WM	26"	36"	1.16	12.03

PRODUCT SPECIFICATIONS

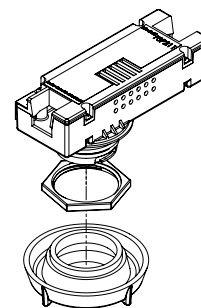
CONTROL OPTIONS

- DIMMING CONTROL (FSP)—Passive infrared (PIR) sensor providing multi-level control based on motion/daylight contribution
- All control parameters adjustable via wireless configuration remote storing and transmitting sensor profiles.
- FSP-8 mounting heights 8 feet and below
- FSP-20 mounting heights 9-20 feet.
- FSP-40 mounting heights 21-40 feet.
- Includes 5 dimming event cycles, 0-10V dimming with motion sensing, re-programmable in the field.

FSP-211 WITH MOTION SENSOR (FSP-XX)

- FSP-211(FSP-X)—Passive infrared (PIR) sensor providing multi-level control based on motion/daylight contribution.
- 120/277VAC, 230-240VAC
- All control parameters adjustable via wireless configuration remote storing and transmitting sensor profiles.
- FSP-8 mounting heights 8 feet and below
- FSP-20 mounting heights 9-20 feet.
- FSP-40 mounting heights 21-40 feet.
- Includes 5 dimming event cycles, 0-10V dimming with motion sensing, re-programmable in the field.
- Standard white finish.

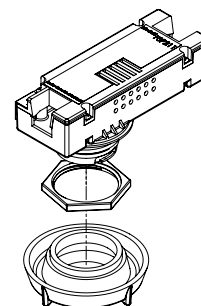
FSP-211



FSP-221 WITH MOTION SENSOR (FSP-HV-XX)

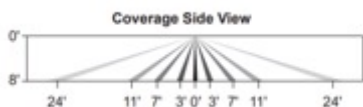
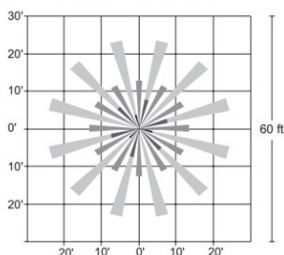
- FSP-221 (FSP-HV-X)—Passive infrared (PIR) sensor providing multi-level control based on motion/daylight contribution.
- 100-347VAC 208/230/480VAC
- All control parameters adjustable via wireless configuration remote storing and transmitting sensor profiles.
- FSP-8 mounting heights 8 feet and below
- FSP-20 mounting heights 9-20 feet.
- FSP-40 mounting heights 21-40 feet.
- Includes 5 dimming event cycles, 0-10V dimming with motion sensing, re-programmable in the field.

FSP-221



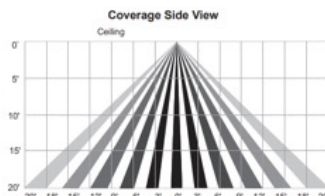
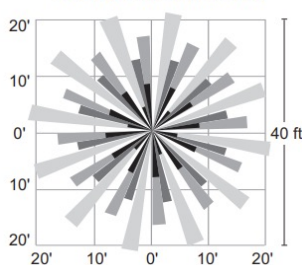
FSP-8

Coverage Top View @ 12ft.



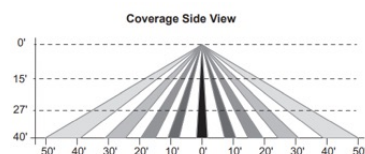
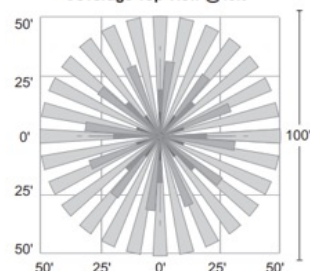
FSP-20

Coverage Top View @ 20 ft.



FSP-40

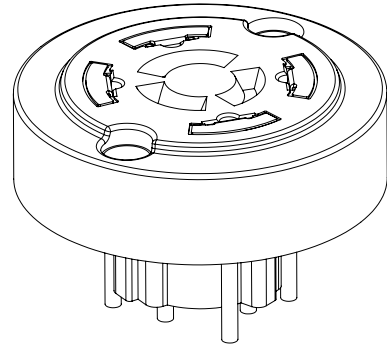
Coverage Top View @40ft



PRODUCT SPECIFICATIONS

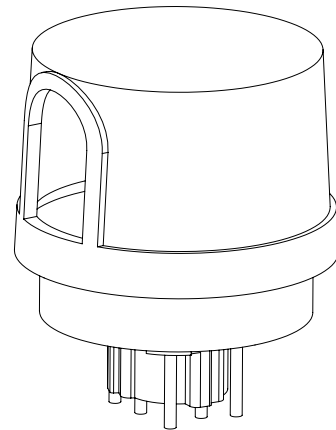
NEMA 7-PIN RECEPTACLE (PE7)

An ANSI C136.41-2013 receptacle provides electrical and mechanical interconnection between photo control cell and luminaire. Dimming receptacle available two or four dimming contacts supports 0-10 VDC dimming methods or Digital Addressable Lighting Interface (DALI), providing reliable power interconnect.



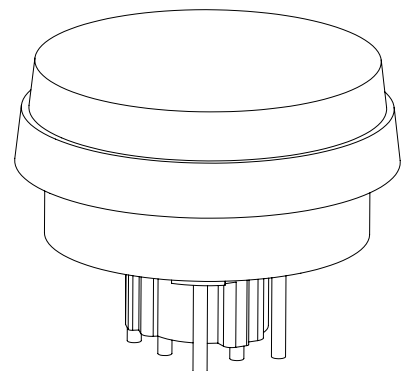
PHOTOCELL + RECEPTACLE (PCR)

7-Pin Receptacle and Electronic Twist Lock
Photocell for dusk to dawn operation.



RECEPTACLE + SHORTING CAP (PER)

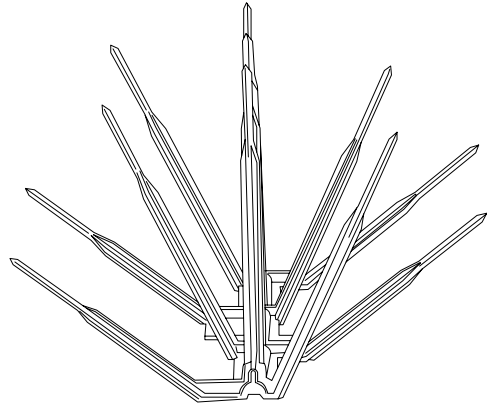
7-Pin Receptacle and Shorting Cap.



PRODUCT SPECIFICATIONS

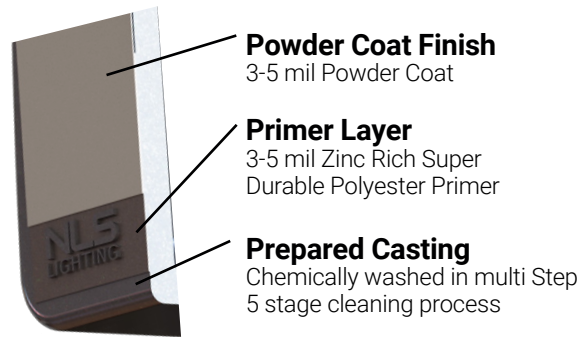
BIRD SPIKES (BS)

Bird Spikes offers effective and humane deterrent for larger bird species and provides cost-effective long-term solution to nuisance bird infestations and protect your property.



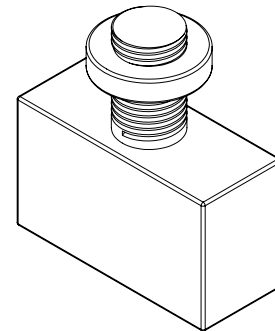
MARINE GRADE FINISH (MGF)

The (MGF) is a multi step process. Chemically washed in a 5 stage cleaning system. Pre-baked. Powder coated 3-5 mils of Zinc Rich Super Durable Polyester Primer. Oven Baked. Finished Powder Coating of Super Durable Polyester Powder Coat 3-5 mil thickness.



BUTTON PHOTOCELL (PC)

Photocell for dusk to dawn operation.
Consult Factory.



BLACK OPTIC FRAME

Optional Black Optic Frame
(includes black hardware)
Standard Optic Frame is white.

