

# STRUCTURAL COLUMN



## INSTALLATION GUIDE



### RECOMMENDED TOOLS

- Safety Glasses
- Tape Measure & Pencil
- Power Drill w/ 1/8", 3/16" bit
- Mitre Saw

### WHAT'S INCLUDED

- (1) Structural Column
- (2) Mounting Plates (per Post)
- (8) #14 x 11/2" Flat head S.S. screws
- (4) #14 x 13/4" Tapcon screws
- (4) #10 x 3/4" Colored screws

**Disclaimer:** It is the responsibility of the installer to determine the correct dimensions as called out in the building plans for placement of the columns.

1. *These directions are only a guide and may not address every situation.*
2. *Always wear proper safety equipment while assembling and installing.*
3. *The installer should obtain all required building permits and follow all installation procedures in accordance with applicable building code requirements.*
4. *Keylink, Inc. shall not be held liable for improper or unsafe installations.*
5. *Applying paint, other than Keylink's touch up paint, will void your warranty.*
6. *To ensure proper coverage by our warranty please visit our website and complete the warranty form and mail to: Keylink, 110 Peters Road, New Holland, PA 17557*



**WARNING:** This product can expose you to chemicals including Quartz (crystalline silica), which is known to the State of California to cause cancer, and Hexavalent Chromium, which is known to the State of California to cause birth defects or other reproductive harm. For more information go to [www.P65Warnings.ca.gov](http://www.P65Warnings.ca.gov).

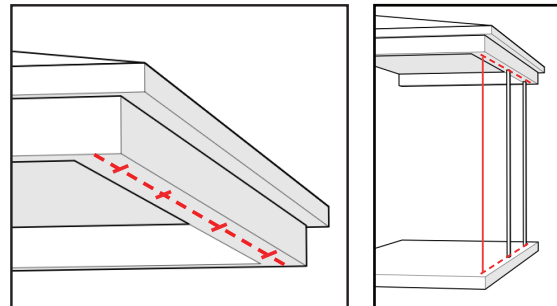
# 1 MEASURE & CUT COLUMNS

Mark center line of header. Then mark the lateral placement of the column.

Brace the porch header at the correct height (refer to building plans). Using a plumb line; mark the center location on the floor surface.

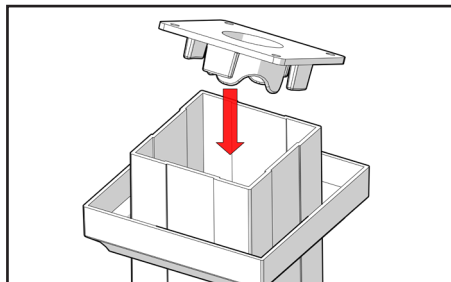
Subtract 7/16" from total height between header and floor surface (thickness of Mounting Plates). Use this dimension to cut the columns to length.

■ **Cutting Tip:** Ensure cut is the same pitch as floor surface. Use a mitre saw with a carbide tipped multi-purpose blade.



# 2 INSTALL COLUMNS

Install top and bottom Mounting Plates onto column. Then Slide a Trim ring onto both ends of the column (if utilized).



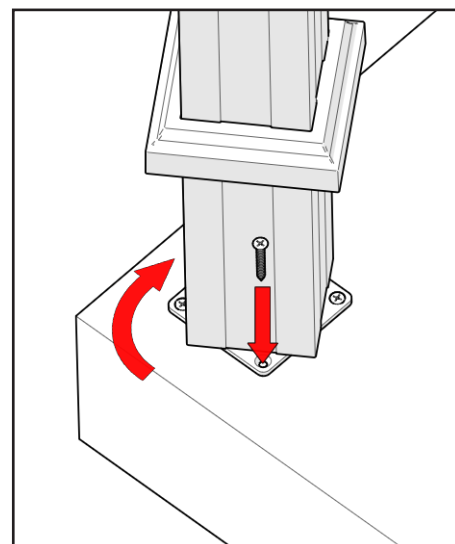
**NOTE:** Prior to the next step raise the header 1/8" (at individual location only).

Position column and Fasten the Mounting Plate by rotating the column slightly. Repeat for top and bottom Mounting Plates. (\*use correct screws for application).

\* Top & Bottom Plate (wood surface):  
#14 x 11/2" S.S. screws

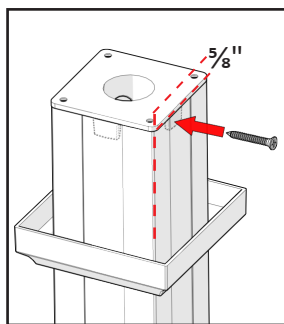
\* Bottom Plate (concrete floor):  
#14 x 13/4" Tapcon screws

Rotate column back to neutral position and lower header. (Do not remove braces until all columns have been installed)

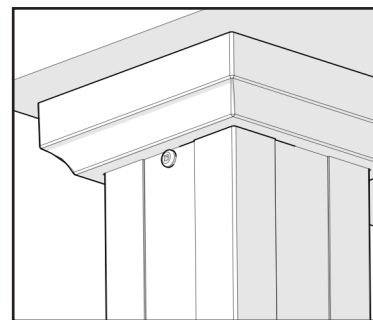


# 3 INSTALL HOLD DOWN SCREWS

Measure 5/8" on Center line of two opposing faces. Drill a 1/8" hole through the column, and Mounting Plate. Then fasten with #10 x 3/4" colored screws.



If installing Trim; fasten a screw on one side of the Trim (as shown), so that it holds the Trim flush against the header board.



110 Peters Road, New Holland, PA 17557

KEYLINKONLINE.COM