

ADJUSTABLE GATE KITS



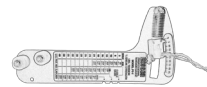
INSTALLATION GUIDE



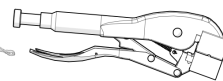
RECOMMENDED TOOLS

- Safety Glasses
- Tape Measure & Pencil
- Level
- Miter Saw w/ Fine Tooth
- Aluminum Cutting Blade
- Rubber Mallet

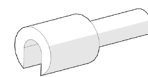
AVAILABLE FROM KEY-LINK



Tension
Gauge



Cable
Gripping Pliers



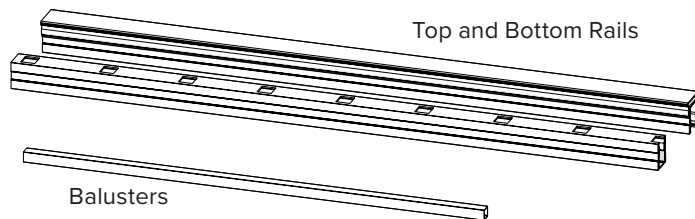
Cable
Release Key



Cable
Cutter

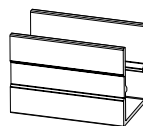
WHAT'S INCLUDED

- Top and Bottom Rails
- Balusters
- Stabilizer Inserts
- Post Caps
- Posts
- #12 x 2-1/2" Flat-head screws
- #10 x 3/4" Pan-head screws

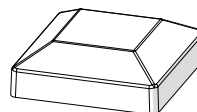


Balusters

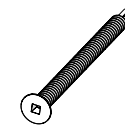
Top and Bottom Rails



Stabilizer
Inserts



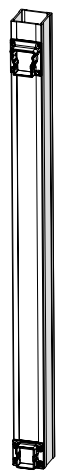
Post
Caps



#12 x 2-1/2"
Flat-head
Screws



#10 x 3/4"
Pan-head
Screws



Posts

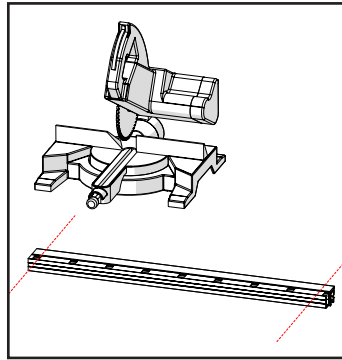


SQUARE BALUSTER GATE INSTALLATION

1

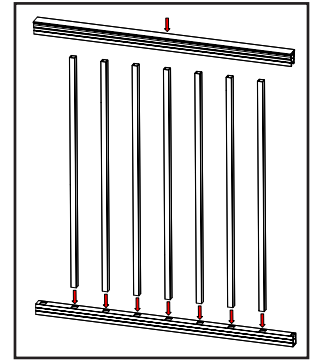
If needed, reduce width of gate by trimming rails equally on both ends. To determine necessary gate width, refer to your chosen hinge and latch manufacturer's guidelines.

TIP: Keep in mind that 2-5/16" on each end of the rails will be inserted in the post. If trimming rails equally will result in undesirable baluster placement in respect to posts, then unequal trimming can be used to alter location of resulting end balusters.



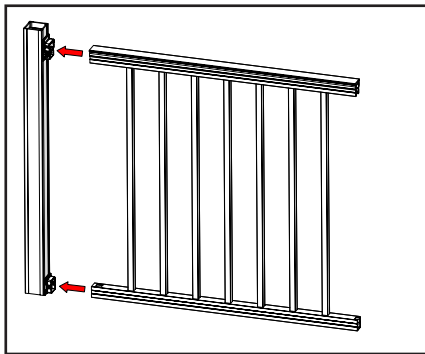
2

Insert balusters into bottom rail; then, attach top rail.



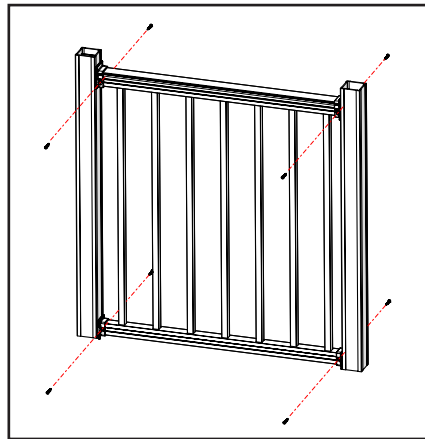
3

Slide rails through pre-installed brackets into post; then, repeat on the other end. Be sure rails are fully inserted and seated against inside walls of posts.



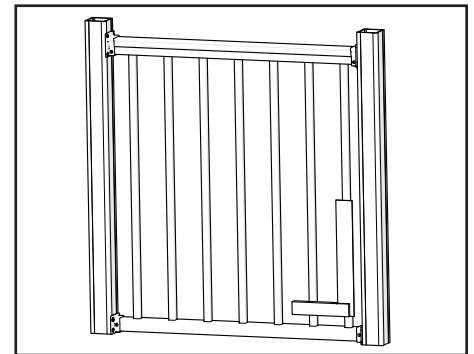
4

Fasten rails to brackets using #10 x 3/4" pan-head screws.



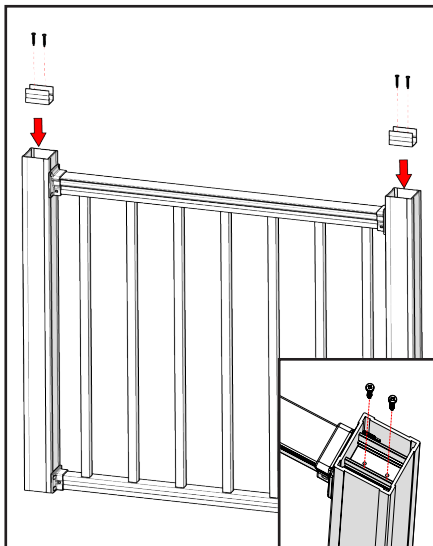
5

Rack your Adjustable Gate using a Framing Square. The installer should ensure that the Top Rail of the Adjustable Gate sits Level between the Posts before fastening in Step 6.



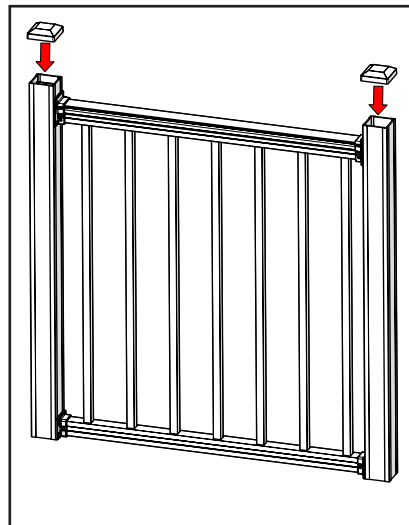
6

Pre-drill, insert and secure stabilizer inserts with #12 x 2-1/2" screws.



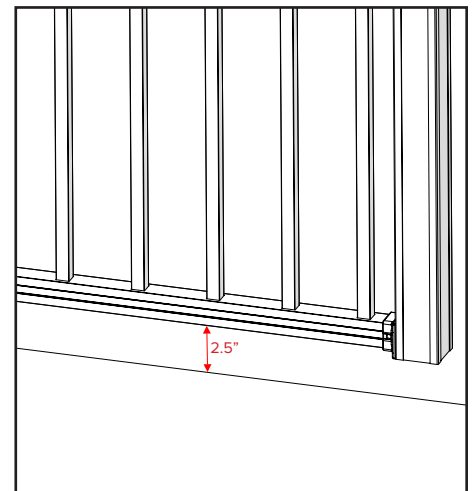
7

Complete gate by placing and firmly pushing down post caps to secure to posts.



8

When mounting gate, (hardware not included) be sure to leave a 2-1/2" space at the bottom so that rails align with adjacent railing.

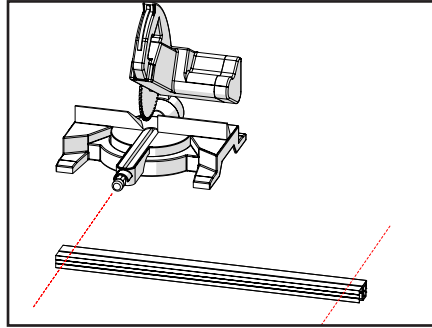




ROD RAIL GATE INSTALLATION

1

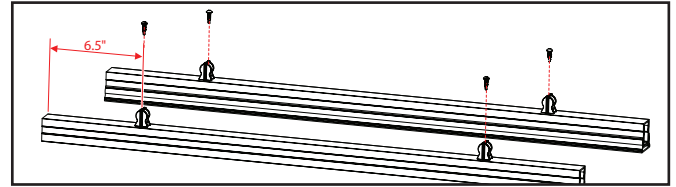
If needed, reduce width of gate by trimming rails equally on both ends. To determine necessary gate width, refer to your chosen hinge and latch manufacturer's guidelines.



TIP: Keep in mind that 2-5/16" on each end of the rails will be inserted in the post. If trimming rails equally will result in undesirable baluster placement in respect to posts, then unequal trimming can be used to alter location of resulting end balusters.

2

Mark bottom of top rail and top of bottom rail at 6.5" from each end. Secure a baluster mount at each mark using #10 pan-head screws with baluster mount hole centered on mark.

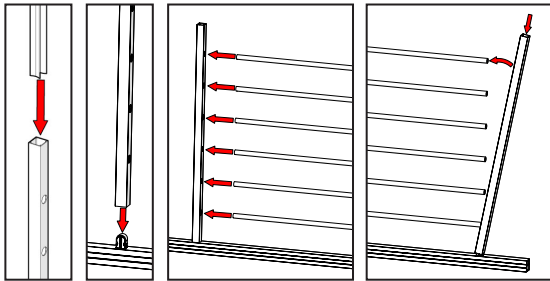


Attach spring clips to baluster mounts.



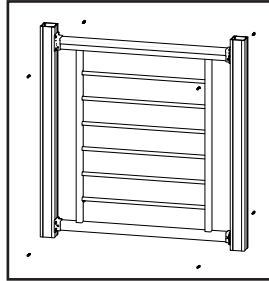
3

Slide vinyl inserts into balusters. Push 1 baluster onto the baluster mount. Insert rods. Push other baluster onto mount and into rods.



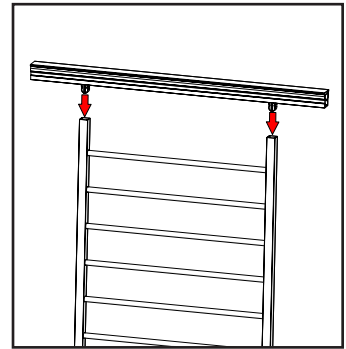
4

Fasten rails to brackets using #10 x 3/4" pan-head screws.



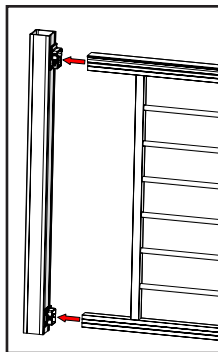
5

Push top rail onto balusters.



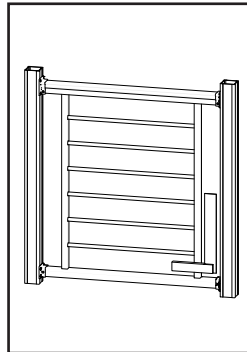
6

Slide rails through pre-installed brackets into post; then, repeat on the other end. Be sure rails are fully inserted and seated against inside walls of posts.



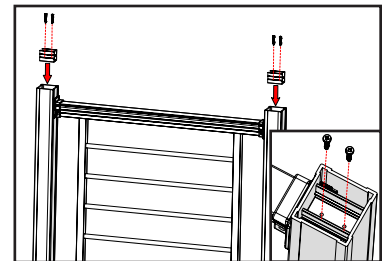
7

Rack your Adjustable Gate using a Framing Square. The installer should ensure that the Top Rail of the Adjustable Gate sits Level between the Posts before fastening in Step 8.



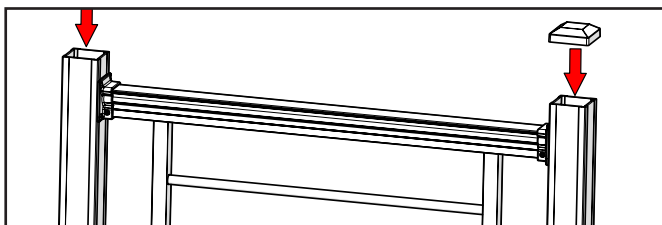
8

Pre-drill, insert and secure stabilizer inserts with #12 x 2-1/2" screws.



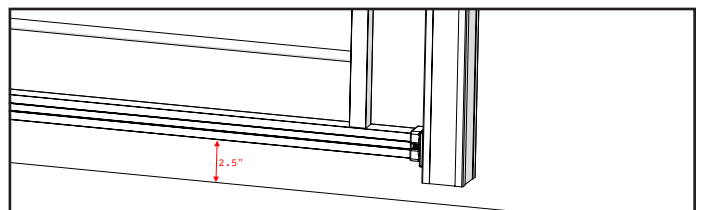
9

Complete gate by placing and firmly pushing down post caps to secure to posts.



10

When mounting gate, (hardware not included) be sure to leave a 2-1/2" space at the bottom so that rails align with adjacent railing.

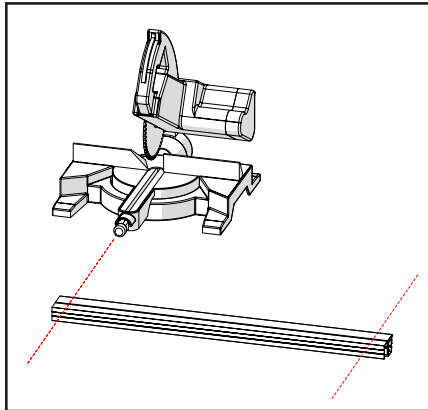




HORIZONTAL CABLE GATE (CABLE SOLD SEPARATELY)

1

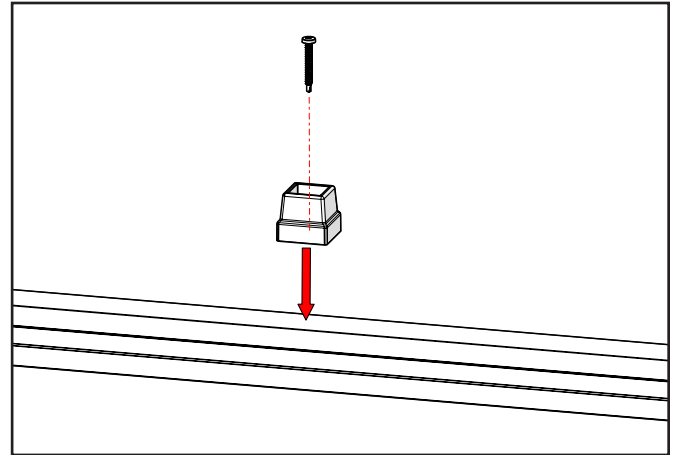
If needed, reduce width of gate by trimming rails equally on both ends. To determine necessary gate width, refer to your chosen hinge and latch manufacturer's guidelines.



TIP: Keep in mind that 2-5/16" on each end of the rails will be inserted in the post. If trimming rails equally will result in undesirable baluster placement in respect to posts, then unequal trimming can be used to alter location of resulting end balusters.

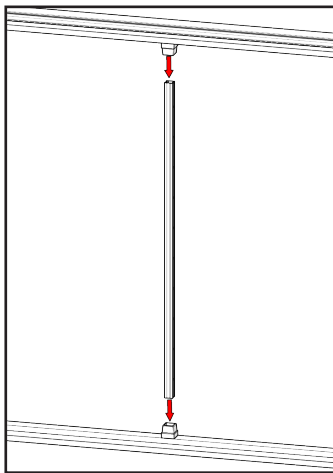
2

For gates over 41", screw baluster mount into center of top surface on bottom rail. Then, screw other baluster mount into center of bottom surface on top rail.



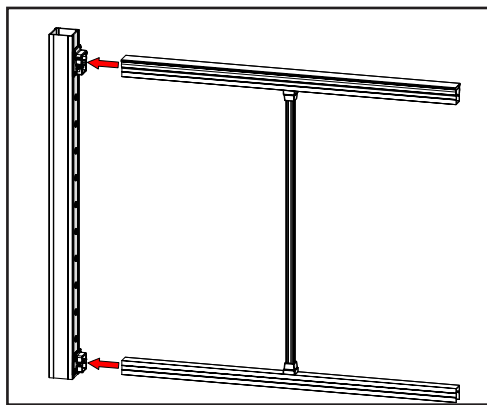
3

Push center baluster into baluster mounts.



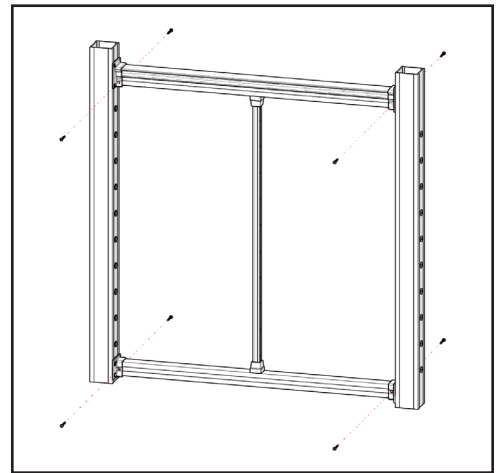
4

Slide rails through pre-installed brackets into post; then, repeat on the other end. Be sure rails are fully inserted and seated against inside walls of posts.



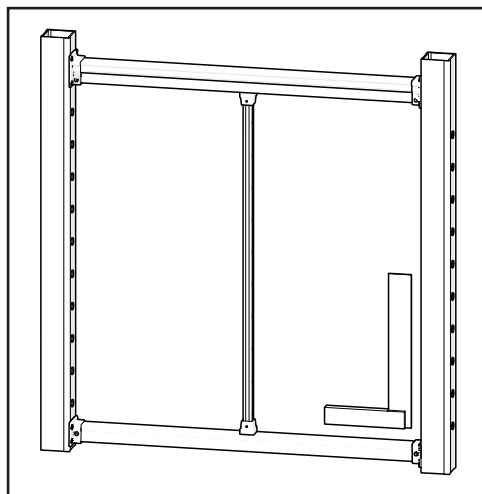
5

Fasten rails to brackets using #10 x 3/4" pan-head screws.



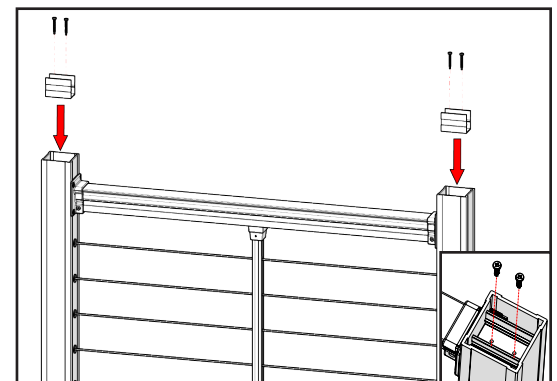
6

Rack your Adjustable Gate using a Framing Square. The installer should ensure that the Top Rail of the Adjustable Gate sits Level between the Posts before fastening in Step 7.



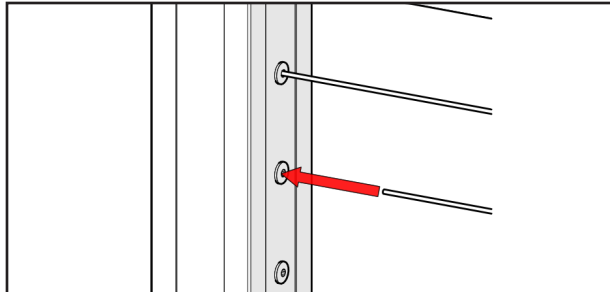
7

Pre-drill, insert and secure stabilizer inserts with #12 x 2-1/2" screws.



8

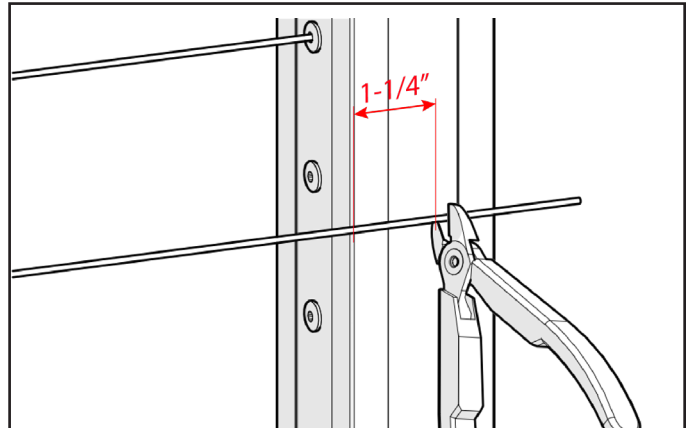
Insert cable through hole in center baluster and into end post receiver as far as possible. Repeat until all cables in first post are in-place.



TIP: Rotate the fitting clockwise as you insert the cable to ensure cables are secured without frayed ends.

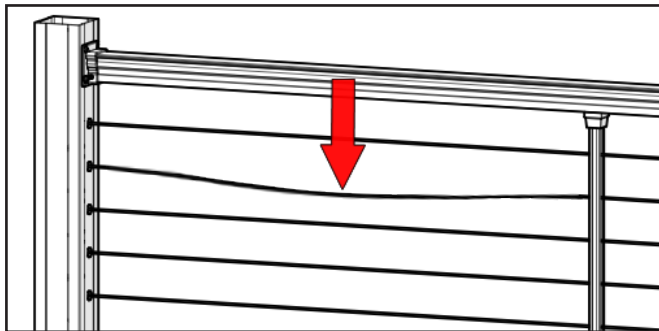
9

At opposite post, pull cable taut and cut at 1-1/4" past face of post. Then repeat previous step for each cable.



10

Once both cable ends have been inserted into receivers for each row, grip each cable firmly with both hands and place body weight on cable to anchor it firmly in receivers.



11

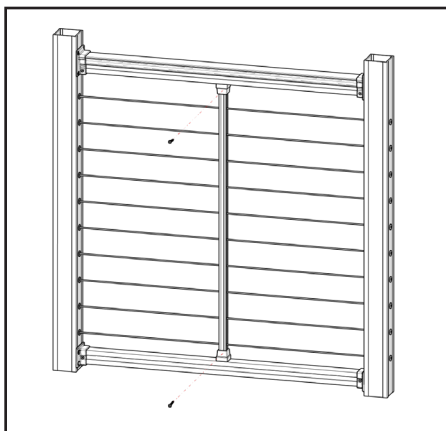
Grip cable with cable gripping pliers to prevent movement while turning receiver in a clockwise direction to tension cable.



TIP: Begin tensioning from center cable, then alternate above and below center cable, tensioning every other cable. After completing pattern, tension the remaining cables.

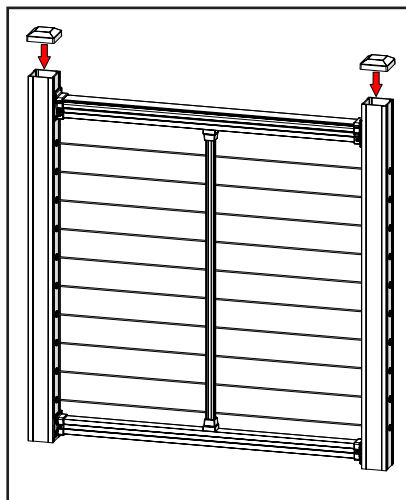
12

If using an intermediate baluster, secure baluster to baluster mount by driving #10 x 3/4" pan-head screws into each baluster mount on back side of gate.



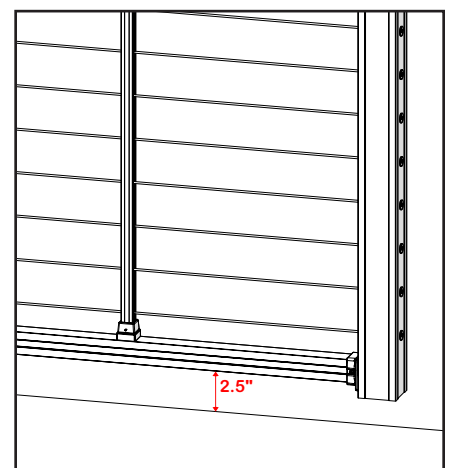
13

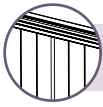
Complete gate by placing and firmly pushing down post caps to secure to posts.



14

When mounting gate, (hardware not included) be sure to leave a 2-1/2" space at the bottom so that rails align with adjacent railing.

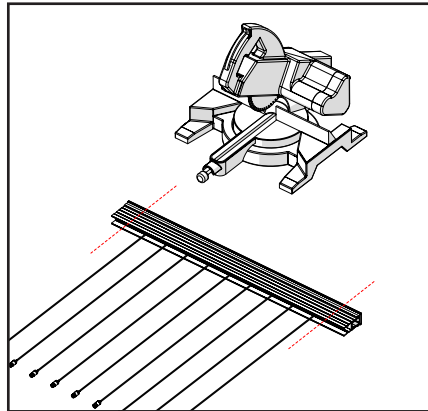




VERTICAL CABLE GATE

1

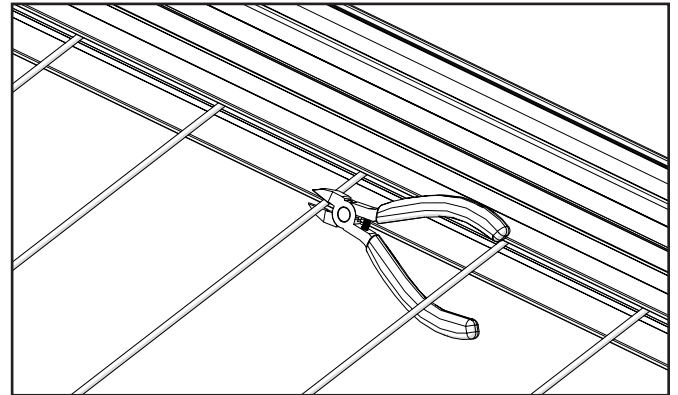
If needed, reduce width of gate by trimming rails equally on both ends. To determine necessary gate width, refer to your chosen hinge and latch manufacturer's guidelines.



TIP: Keep in mind that 2-5/16" on each end of the rails will be inserted in the post. If trimming rails equally will result in undesirable baluster placement in respect to posts, then unequal trimming can be used to alter location of resulting end balusters.

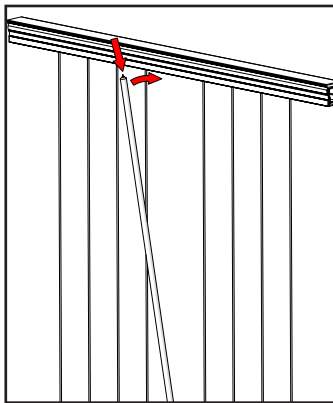
2

Using wire cutters, cut and remove cables where support balusters will be inserted. There is a maximum of 5 cables allowed between support balusters. The location of these balusters is otherwise left up to the installer.



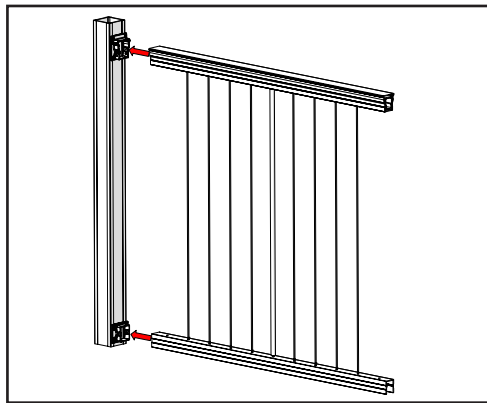
3

Push stainless steel support baluster into bottom rail hole, then slide top of baluster into top rail hole.



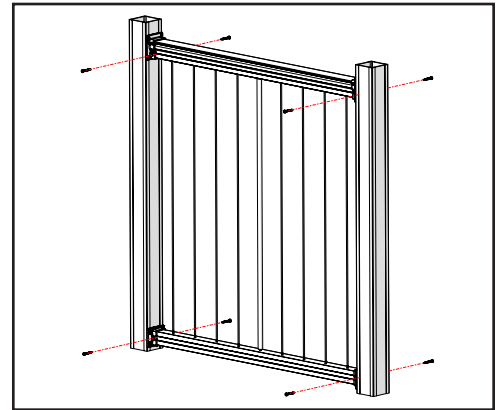
4

Slide rails through pre-installed brackets into post; then, repeat on the other end. Be sure rails are fully inserted and seated against inside walls of posts.



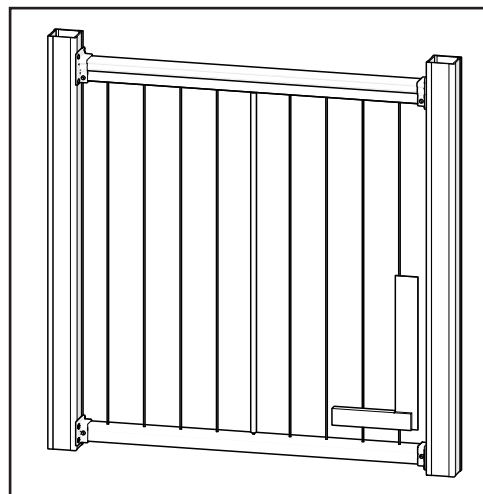
5

Secure baluster to baluster mount by driving #10 x 3/4" pan-head screws into each baluster mount on back side of gate.



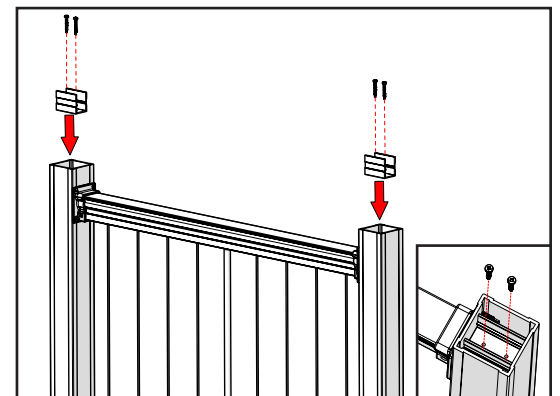
6

Rack your Adjustable Gate using a Framing Square. The installer should ensure that the Top Rail of the Adjustable Gate sits Level between the Posts before fastening in Step 7.



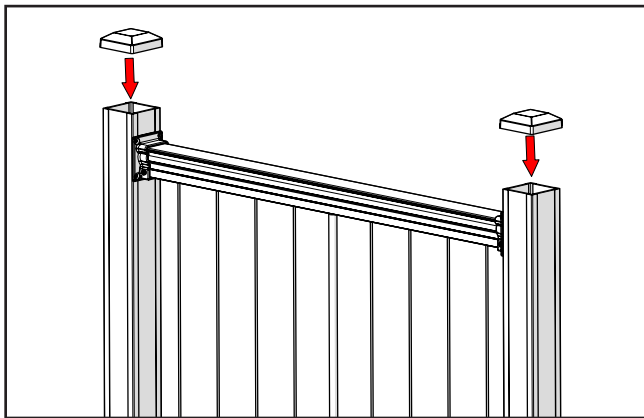
7

Pre-drill, insert and secure stabilizer inserts with #12 x 2-1/2" screws.



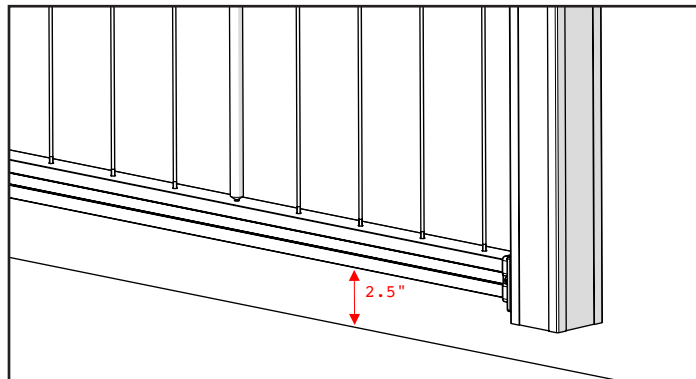
8

Complete gate by placing and firmly pushing down post caps to secure to posts.



9

When mounting gate, (hardware not included) be sure to leave a 2-1/2" space at the bottom so that rails align with adjacent railing.



1. These directions are only a guide and may not address every situation.
2. Always wear proper safety equipment while assembling and installing.
3. The installer should obtain all required building permits and follow all installation procedures in accordance with applicable building code requirements.
4. Keylink shall not be held liable for improper or unsafe installations.
5. Applying paint, other than Keylink's touch up paint, will void your warranty.
6. To ensure proper coverage by our warranty please visit our website and complete the warranty form and mail to: Keylink, 110 Peters Road, New Holland, PA 17557



WARNING: This product can expose you to chemicals including Quartz (crystalline silica), which is known to the State of California to cause cancer, and Hexavalent Chromium, which is known to the State of California to cause birth defects or other reproductive harm. For more information go to www.P65Warnings.ca.gov.



KEYLINK



110 Peters Road, New Holland, PA 17557

KEYLINKONLINE.COM