

INFINITY (INF1)

Modular 2D/3D Linear + Curved Lighting System



Undisclosed Office Space — Infinity Project

© 2022 by Edison Price Lighting

Licensed under Creative Commons Attribution-NonCommercial-NoDerivatives 4.0 International

SCULPTURE IN LIGHT

LIT DESIGN AWARDS 2023

Designer/Custom Lighting¹

LFI 2021 WINNER

Design Excellence Award

At a Glance

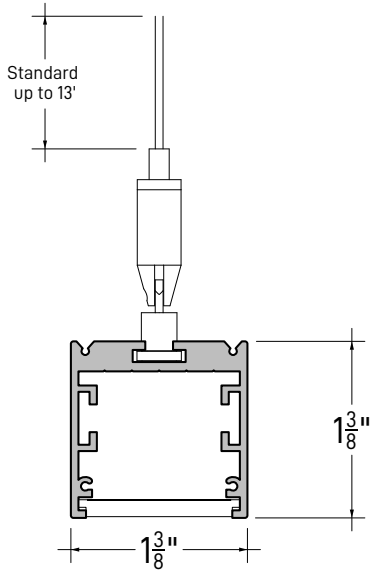
- Lumens: Up to 380 lm/ft
- CCT Range: 1900 K – 6000 K (RGB available)
- Dimensions: 1.5" × 1.5"
- Mounting: Pendant (AC) or Surface (S)
- Voltage: 24 V low voltage system
- 6.63 W/ft



Undisclosed Office Space — Infinity Project

© 2025 by Edison Price Lighting

Licensed under Creative Commons Attribution-NonCommercial-NoDerivatives 4.0 International



Cross-section

SCULPTURE IN LIGHT.

Infinity is a modular lighting system that integrates linear and curved components within a single continuous run. Modules are available in rigid, curved, and twisted forms, and can be combined to achieve 2D or 3D configurations. Each module supports multiple beam orientations — vertical, horizontal, or mixed — enabling uniform illumination across complex geometries. The system can function as both a general lighting source and an architectural feature.



LIT DESIGN AWARDS 2023
DESIGNER /CUSTOM LIGHTING



LFI 2021 LIGHTFAIR INNOVATION AWARD
DESIGN EXCELLENCE

FEATURES

Versatile Modular Design.

Our lighting system allows for unparalleled creativity, enabling the assembly of unique designs such as arcs, infinity loops, double helices, and more. Tailor your lighting to fit any space or architectural feature, crafting continuous forms that flow seamlessly from ceiling to wall.

Adaptive Illumination.

Experience uninterrupted lighting that effortlessly wraps around beams, tucks into narrow spaces, and extends beyond traditional boundaries. Our system's flexibility transforms lighting into an art form.

Innovative 'Shape-Shifting' Lens.

Equipped with a flexible lens, our lighting provides continuous, diffuse light across extensive runs. Choose from two distinct designs to match your aesthetic needs, each promising a smooth and consistent lighting experience.

Durable and Resilient Build.

Constructed from corrosion-resistant, heat-treated aluminum 6063-T5, our lights are built to last. The surface is treated with a specialized spray to enhance durability, ensuring long-lasting quality and performance.

Minimal Electrical and Suspension System.

Our linear lighting system is designed for simplicity and efficiency. It comes standard with 6'-6" suspension cables, ensuring a clean and streamlined installation. For larger spaces or unique applications, 13' cables are available upon request. Custom lengths can also be provided, subject to a minimum order quantity (MOQ), allowing for versatile adaptation to any architectural or design requirement.

Dynamic RGB Lighting.

Elevate your environment with the added dimension of RGB lighting capabilities. Our system offers a spectrum of vibrant colors, allowing you to set the mood, match a theme, or create dynamic lighting effects that captivate and inspire.

SPECIFICATIONS

LUMENS	up to 380 lm/ft
EFFICIENCY	up to 72 lm/W
CCT	19K-60K, RGB
CRI	90+ Standard
MOUNTING	Pendant (P); Surface (S)
CRI	90+
LIGHTING MODULES	Direct; Indirect; Inwards; Outwards
SIZE	1.5" x 1.5" (Standard)
FINISH	Black; White; Silver; Custom RAL
DIMMING & CONTROLS	Flicker-Free 1% Dimming - 120 or 277V (DIM10), Hi-Lume 1% 2-Wire 120V only (LTEA2W), Hi-Lume 0.1% EcoSystem w/Soft-on, Fade-to-Black (HILUME). DT6, DT8 dimming down to 0.1% (DALI), DMX 'Dim-to-Dark' (ELDODMX.1)

*all drivers are remotely located; not integral to fixture

ORDERING GUIDE

BUILD YOUR PART NUMBER

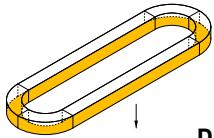
Example:

INF1-EL(2-6)-10-P-DB-380L-24V-27K-90-BK-DIM10

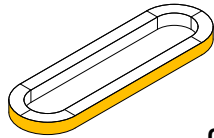
¹ (D) Diameters Available	
01³	12-5/8"
03	31-1/2"
05³	59-1/16"
10	118-1/8"

² (A) Angles Available	
45	45°
90	90°

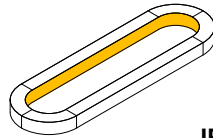
SERIES-	FORM CODE (feet)- next page	TOTAL LENGTH-	MOUNTING TYPE -	BEAM DIRECTION-	LUMENS-	
INF1	QF(L-W) QuadForm (Length-Width) Rectangle <i>Standard with 1' diameter corners. Specify if alternate is needed.</i>	Total system run rounded up in feet.	AC Suspension Mount (13' Cable Standard)	DB Direct (Down)	380L 380 lumens per foot (delivered)	
	EL(D¹-L) Ellipse (Oval)					S Surface Mount
			CL(D¹) Circle	OB³ Outward-Facing		
	AC(D¹-Angle²) Arc					³ Only available in 12 & 30 diameters
	LN Linear					
	INF* Infinite Form/Freeform (see CUST-PROJ*)					



DB



OB³



IB³

VOLTAGE-	CCT/COLOR-	CRI-	FINISH-	DRIVER OPTIONS-	CUST-PROJ*
24V <i>120-277V to 24VDC drivers provided standard</i>	27K	90	BK Black	DIM10 0-10V (Standard)	*If specifying INF custom Infinity layout, please use 4-letter project abbreviation here (PROJ)
	30K		WH White	LTEA2W Hi-lume 2-wire	
	35K		SI Silver	HILUME EcoSystem fade-to-black	
	40K		RAL Custom RAL	ELDODALI DT6/DT8	
	50K				

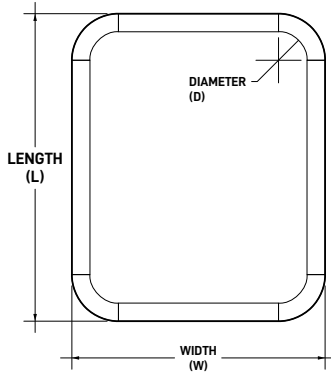
FORMS

To use in 'FORM CODE' section of ORDERING GUIDE

Units in inches

¹ (D) Diameters Available	
01 ³	12-5/8"
03	31-1/2"
05 ³	59-1/16"
10	118-1/8"

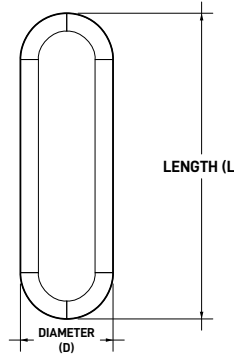
² (A) Angles Available	
45	45°
90	90°



QuadForm

QF (L-W-D)

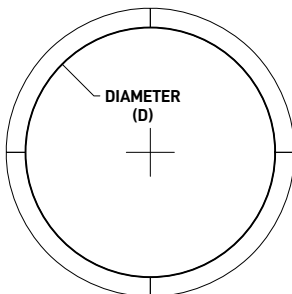
Soft-cornered rectilinear shapes specified by length, width, and diameter of corner (1" diameter standard)



Ellipse

EL (D¹-Length)

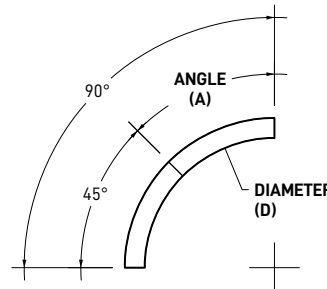
Elliptical/oval shapes specified by diameter width and length



Circle

CL (D¹)

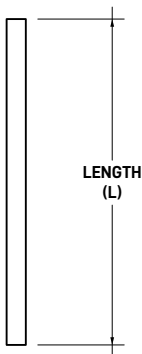
Ring shapes specified by inner diameter



Arc

AC (D¹-Angle²)

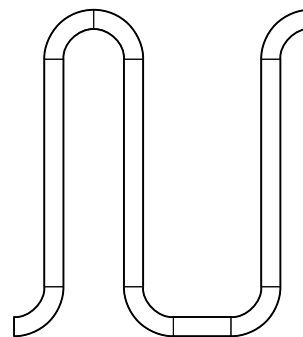
Arc shapes specified by inner diameter and angle of module



Linear

LN (Length)

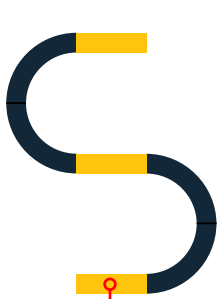
Linear runs specified by their total length (in inches)



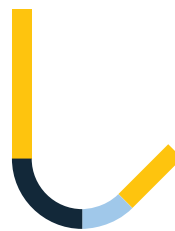
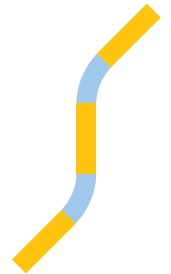
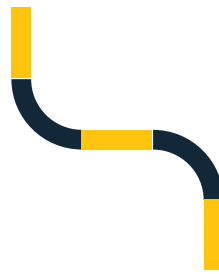
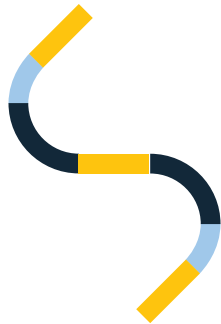
Infinite Form

IF (CUST-PROJ)

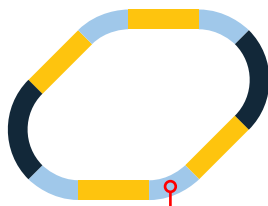
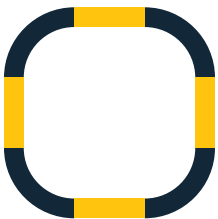
Freeform shape specified by CUST- and 4-letter project code. Consult factory for drawings.



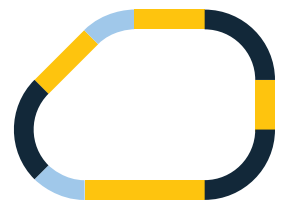
LINEAR RUN



**90°
SECTIONS**



**45°
SECTIONS**



DRIVER OPTIONS

DIM10 (0-10V) Standard Options

Example: HLG-120H-24B

DETERMINE THE RIGHT DRIVER:
 (Total linear feet x ~6.63 W/ft)

0.80

=

Model	DC Voltage	Rated Current (A)	Rated Power	Efficiency (typ.)	Power Factor (typ.)	Input Voltage Range	AC Current (typ., @115VAC)	Working Temp. Range
HLG-40H-24B	24VDC	1.667	40W	90%	≥0.95 (115VAC)	90-305VAC	0.41	-40°C to +70°C
HLG-60H-24B	24VDC	2.5	60W	90%	≥0.95 (115VAC)	90-305VAC	0.61	-40°C to +70°C
HLG-100H-24B	24VDC	4.167	100W	92%	≥0.95 (115VAC)	90-305VAC	0.96	-40°C to +70°C
HLG-120H-24B	24VDC	5	120W	93%	≥0.95 (115VAC)	90-305VAC	1.11	-40°C to +70°C
HLG-150H-24B	24VDC	6.25	150W	94%	≥0.95 (115VAC)	90-305VAC	1.38	-40°C to +70°C
HLG-185H-24B	24VDC	7.708	185W	94%	≥0.95 (115VAC)	90-305VAC	1.69	-40°C to +70°C
HLG-240H-24B	24VDC	10	240W	94%	≥0.95 (115VAC)	90-305VAC	2.21	-40°C to +70°C
HLG-320H-24B	24VDC	13.333	320W	95%	≥0.95 (115VAC)	90-305VAC	2.93	-40°C to +70°C
HLG-480H-24B	24VDC	20	480W	95%	≥0.95 (115VAC)	90-305VAC	4.62	-40°C to +70°C
HLG-600H-24B	24VDC	25	600W	96%	≥0.95 (115VAC)	90-305VAC	5.72	-40°C to +70°C

Instructions

Multiply total linear feet of installation by 6.63 to find total load (**W**)
 Then, **allow 20% headroom** (for driver longevity)

Note: For optimal performance and extended driver lifespan, it is recommended that the total load not exceed 80% of the LED driver's rated capacity. Operating at or near maximum capacity may reduce efficiency and shorten the service life of the driver.



LightFair 2023 — Infinity Exhibit

© 2023 by Edison Price Lighting

Licensed under Creative Commons Attribution-NonCommercial-NoDerivatives 4.0 International

RIJEKA.



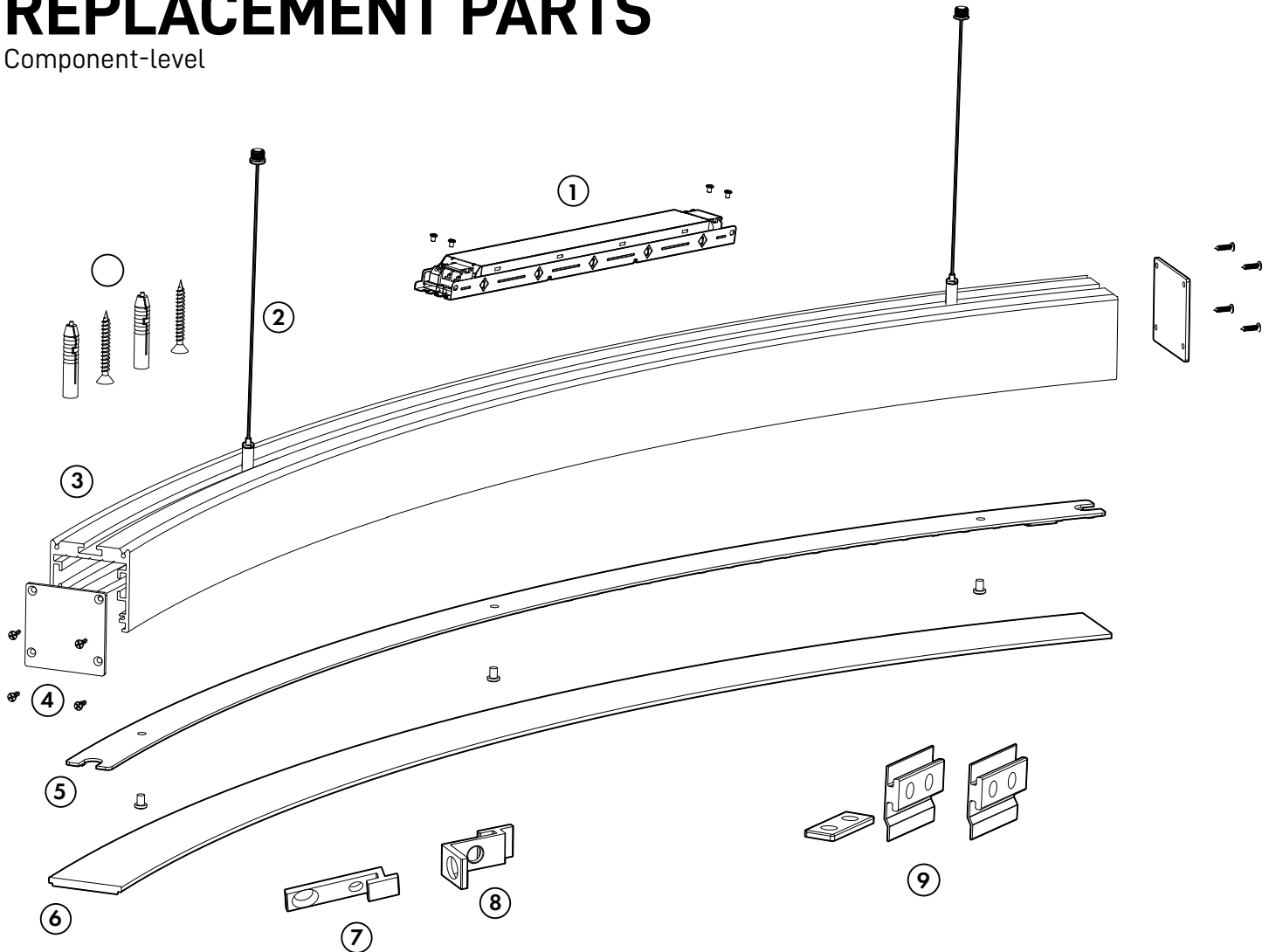
Undisclosed Office Space — Infinity Project

© 2025 by Edison Price Lighting

Licensed under Creative Commons Attribution-NonCommercial-NoDerivatives 4.0 International

REPLACEMENT PARTS

Component-level



#	Part Number	Desc.
1	HLG-120H-24B	LED Driver
2	A-INF-ACC-PN-WA5; A-INF-ACC-PE-KSA5	AC suspension kit or Power & AC kit
3	A-INF-90D-12C-P/S/R-DB-BK	Extrusion (Body)
4	A-INF-ENDCAP-BK	End Caps (Set of 2)
5	A-INF-1-LED-750L/PFT-30K- 90CRI-24V	LED Engine (Tape)

#	Part Number	Desc.
6	A-INF-1-DIFFLENS-60FT	Flex Lens
7	A-INF-ACC-SRF-MNT-DB	Surface Mount Bracket (Direct)
8	A-INF-ACC-SRF-MNT-IB/OB	Surface Mount Bracket (In/Out)
9	A-INF-1-ACC-CRM	Continuous Row Mounting Kit