



LOW COST HYBRID EYESAFE LASER RANGEFINDER RECEIVER

- High Sensitivity
- Hermetic Low Profile TO-8 Package
- Fast Recovery – Low Minimum Range
- InGaAs PIN Detector
- Single +5 V Supply at 25 mA
- Second Generation Proven Performance



DESCRIPTION:

The **Model 759A-LT** is a low-cost hybrid eyesafe laser rangefinder receiver for high volume programs requiring aggressive pricing. Cost savings come from lower cost materials and streamlined conformance test requirements while rigorous process control ensures reliability and performance. Compact construction and PCB mounting capability make the **Model 759A-LT** ideal for miniature applications. Total power consumption of 125 mW allows operation from batteries. Optional Model 759A-PCB ACC Test Board is available to assist with evaluation testing.

SPECIFICATIONS:

Detector	1.54 μm , InGaAs PIN, 300 μm +60/-30 μm \varnothing	Outputs	TTL or HCT CMOS compatible, negative logic. Start/Stop on common line. ≥ 18 ns pulses. Maximum source/sink current 2 mA.
Sensitivity	40 nW typical, 60 nW maximum at 1.54 μm , 20 ns pulse, 50% detection, 0.1% FAR, 25°C, degrades with narrower pulses and higher temperatures.	Alignment	Analog test point for alignment
T_o Pulse Optical	>5 μW	Power	+5 \pm 0.25 VDC at 25 mA typical
Time Programmed Gain (TPG)	1/R ² law operates from minimum range of ~20 m to 1 km with separate Tx/Rx optics. Minimum range of 30 m with 50 mW T _o pulse. Open circuit on Pin 11 holds high gain. 0 V or GND on Pin 11 holds low gain (-24dB voltage typical).	Temperature	Operating -40° to +85°C Storage -55° to +85°C
Adjustments	Trigger level is adjustable to optimize pulse detection characteristics.	Connections	PCB mount pins
		Lid Plating	Electroless Nickel
		Size	0.616" \varnothing x 0.415" max
		Weight	0.145 oz (4.1 grams) typical

Specifications subject to change without notice.

APPLICATIONS:

Man-Pack, Weapon-Mount, Vehicle-Mount, TUAV, Airborne Laser Ranging

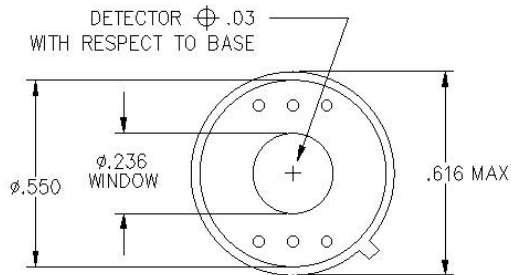
"In the event this commodity will be transferred to a "foreign person" as defined in 22 CFR 120.16, either outside or within the United States, a validated US State Department license is required."

MODEL NUMBER

CONNECTIONS

759A, PCB mount PINS

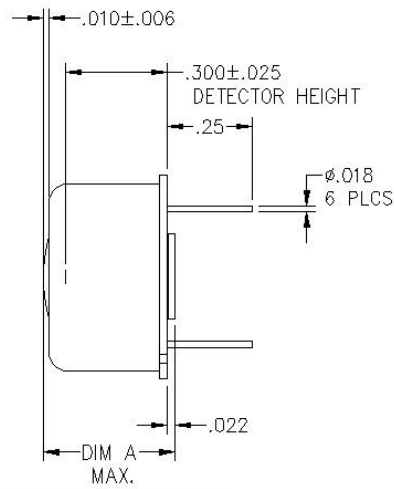
759A-LT



TOLERANCES
.XX=±.02
.XXX=±.005

WINDOW: .040±.006" THK.

RI = 1.471 @ 1550nm; 1.477 @ 1060nm.



MODEL	DIM A
759A-LT	.465

